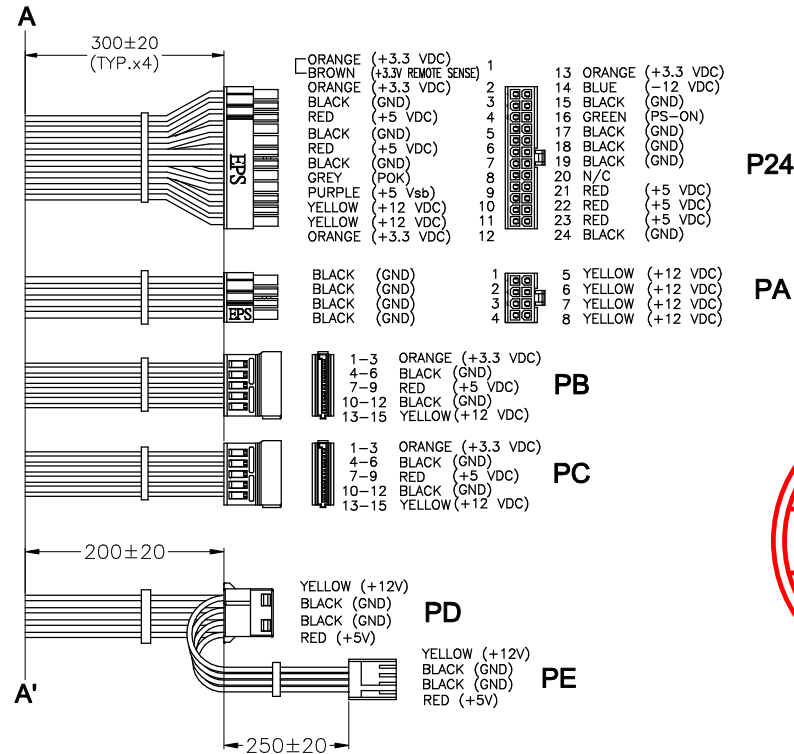
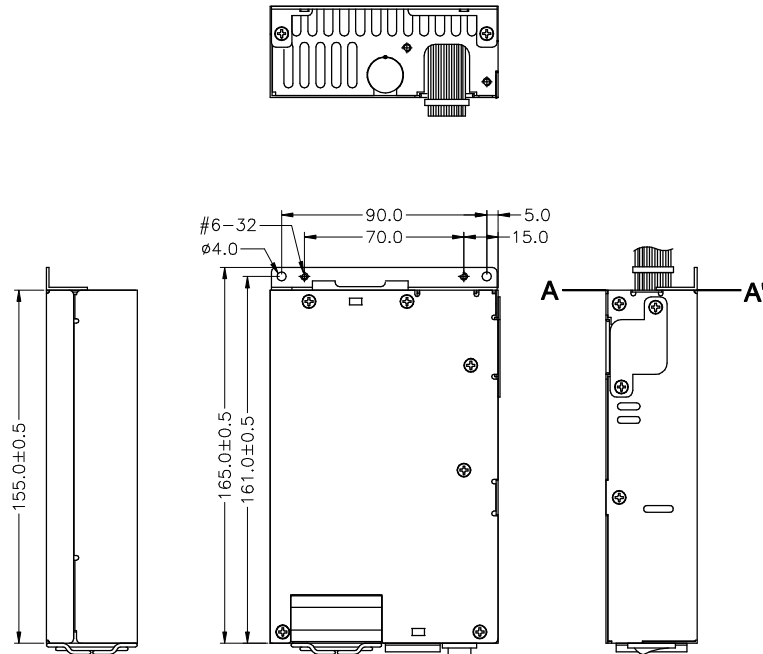




| 修訂 REVISIONS |                | 日期 DATE |
|--------------|----------------|---------|
| 版次 REV.      | 配述 DESCRIPTION |         |

A  
B  
C  
D  
E



**Notes:**

- (a) All the Length of Output Wires Exclude Housing.
- (b) P24 Connector: MOLEX 39-01-2240 or EQUIV.  
Terminal: MOLEX 39-00-0059 or EQUIV.
- (c) PA Connector: MOLEX 39-01-2080 or EQUIV.  
Terminal: MOLEX 39-00-0059 or EQUIV.
- (d) PB,PC Connector: MOLEX 675820000 or EQUIV.  
Terminal: MOLEX 675810000 or EQUIV.
- (e) PD Connector: AMP 1-480424-0 or EQUIV.  
Terminal: AMP 61117-4 or EQUIV.
- (f) PE Connector: AMP 171822-4 or EQUIV.  
Terminal: AMP 170262-1 or EQUIV.

容許公差:  
TOLERANCES:  
.XXX ±.025  
.XX ±.100  
.X ±.250

材料規格:  
MATERIAL:

核准者:  
APPROVE BY:

黃永欣

日期:  
DATE: AUG-27-2012

投影法:  
PROJECTION:  
第三角法

審核者:  
CHECK BY:

李宗翰

日期:  
DATE: AUG-27-2012

繪圖者:  
DRAW BY:

陳燕屏

日期:  
DATE: AUG-27-2012



|                  |               |
|------------------|---------------|
| 品名:<br>MODEL NO: | H1U-5300V     |
| 料號:<br>PART NO:  | B00H1U030V017 |
| 圖號:<br>DRAW NO:  | B00H1U030V017 |
| 槽號:<br>FILE NO:  | B00H1U030V017 |
| 單位:<br>UNITS:    | mm            |
| 版次:<br>REV. NO:  | B1            |
| 規格:<br>SPEC.:    | A1            |
| 編號:<br>SHEET:    | OF            |