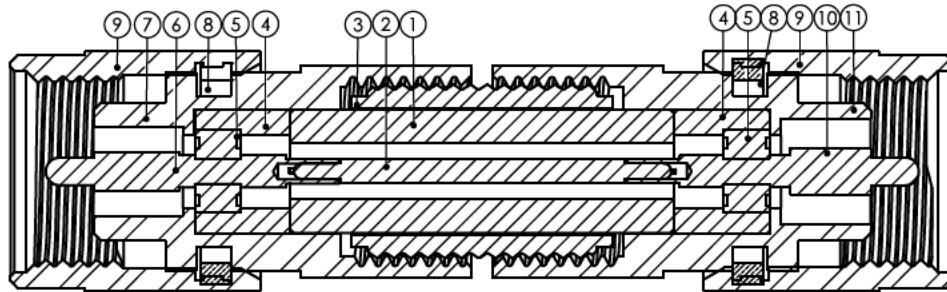
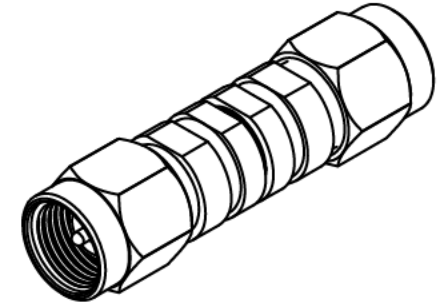
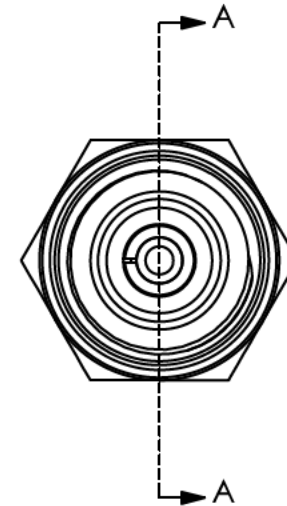


ITEM NO.	PART NUMBER	DESCRIPTION	QTY.
1	TM45-000041-00	SPACER ADAPTERS	1
2	TM45-000020-00	CENTER CONDUCTOR ADAPTERS	1
3	TM45-000080-00	PASSIVATED THREADED COUPLING	1
4	TM45-000040-00	SPACER FOR INSULATOR	2
5	TM45-000030-00	INSULATOR	2
6	TM45-09M020-00	CENTER CONDUCTOR 2.92mm MALE	1
7	TM45-09M010-00	PASSIVATED BODY 2.92mm MALE	1
8	TM45-000070-00	RETAINING RING	2
9	TM45-000090-00	NUT 3.5mm, 2.92mm MALE	2
10	TM45-05M020-00	CENTER CONDUCTOR 3.5mm MALE	1
11	TM45-05M010-00	PASSIVATED BODY 3.5mm MALE	1

REVISION			
REV.	DESCRIPTION	DATE	BY
-	INITIAL RELEASE	07/31/2019	TDR



SECTION A-A
SCALE 8:1



NOTE(S):

- INSTALL AND TEST PER "MW ADAPTER & CONNECTOR ASSY PROCEDURE", TM99-0008-00.
- VSWR, MAX. 1.18:1 @ 26.5GHZ

APPLICABLE CARLISLE IT DOCUMENTS

WORK STANDARD	PROD INSTRUC	ASSY INSTRUC
NA	NA	NA
-	-	-

NOTES
THIS DRAWING EMBODIES A CONFIDENTIAL PROPRIETARY DESIGN ORIGINATED BY CARLISLE INTERCONNECT TECHNOLOGIES & ALL DESIGN, MANUFACTURING, REPRODUCTION, USE & SALE RIGHTS REGARDING THE SAME ARE EXPRESSLY RESERVED. IT IS SUBMITTED UNDER A CONFIDENTIAL RELATIONSHIP FOR A SPECIFIED PURPOSE & THE RECIPIENT AGREES BY ACCEPTING THIS DRAWING NOT TO SUPPLY OR DISCLOSE ANY INFORMATION REGARDING IT TO ANY UNAUTHORIZED PERSON TO INCORPORATE IN OTHER PROJECTS ANY SPECIAL FEATURES PECULIAR TO THIS DESIGN. ALL PATENT RIGHTS HERETO ARE EXPRESSLY RESERVED BY CARLISLE INTERCONNECT TECHNOLOGIES, KENT, WA 98032.

TOLERANCES AND NOTES
EXCEPT AS NOTED

- DIMENSIONS ARE IN INCHES.
 LINEAR .XX ± .05 ANGULAR ± 1/2°
 FRACTION ± 1/32
- MACHINE FINISH $\sqrt{\text{RMS}}$
 - BREAK ALL SHARP EDGES .063 MAX.
 - MACHINED FILLETS .005 MAX.
 - MACHINED SURFACES SQUARE TO RESPECTIVE AXIS WITHIN .005 INCHES PER INCH WITHIN .006 T.I.R.
 - MACHINED DIAMETERS CONCENTRIC WITHIN .006 T.I.R.
 - DIMENSIONS TO BE MET BEFORE PLATING.
 - CHAMFER ALL THREADS 45°.
 - THREADS PER 14-28
 - REMOVE FRAYED EDGES ON TIEPLON.
 - REMOVE ALL BURRS.

APPROVAL	INITIALS	DATE
DRAWN BY	MTV	03.02.18
TEST ENGR	-	-
QUALITY	-	-
DESIGN ENGR	MTV	03.02.18
MFG. ENGR	-	-

MATERIAL	SIZE	SPECIFICATION	PROCUREMENT
-	-	-	-
CARLISLE Interconnect Technologies Kent, WA 98032			
TITLE MW ADAPTER 2.92mm MALE - 3.5mm MALE			
SCALE	4:1	SUB-DIRECTORY/FILE NAME	SHEET 1 OF 1
SIZE	C 7M924	DRAWING NO.	REV. -
		TMA -9MS-5MS-00	