

PART NAME

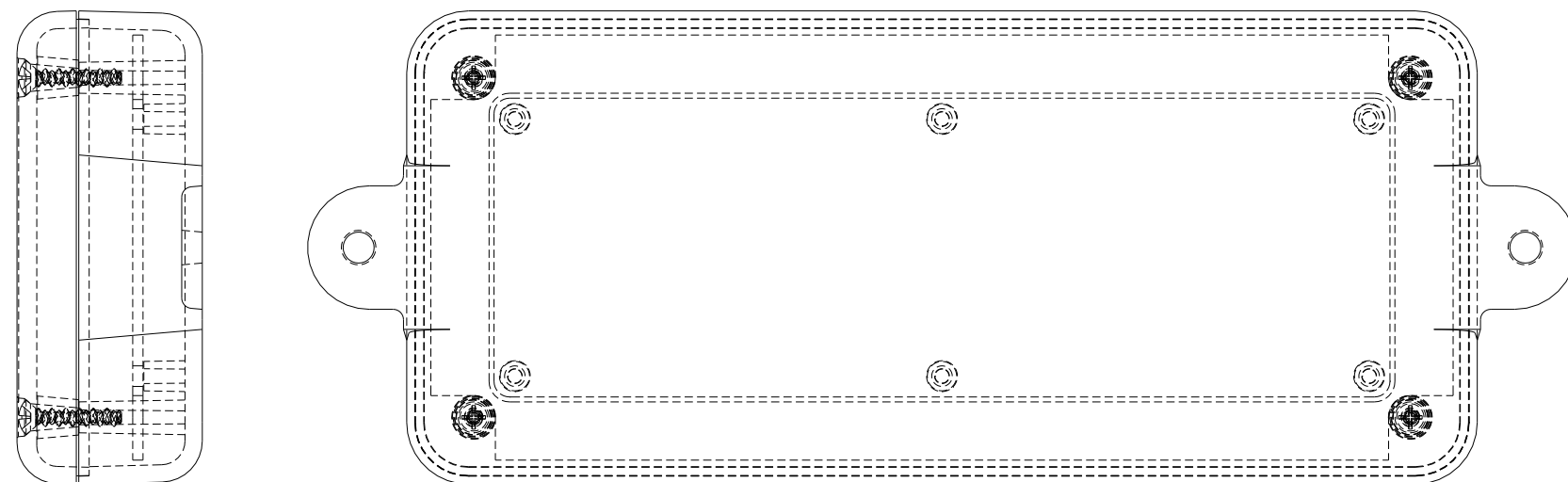
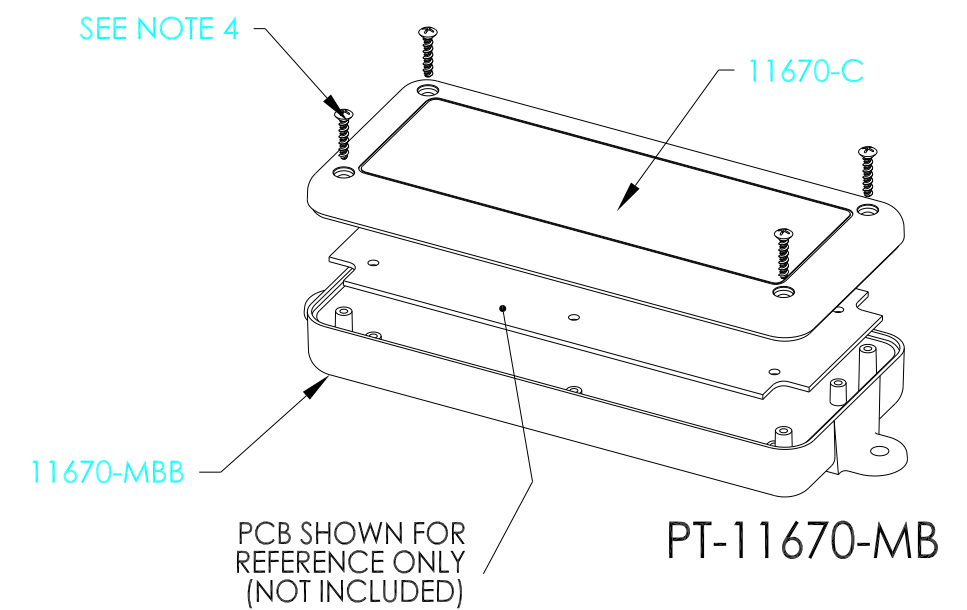
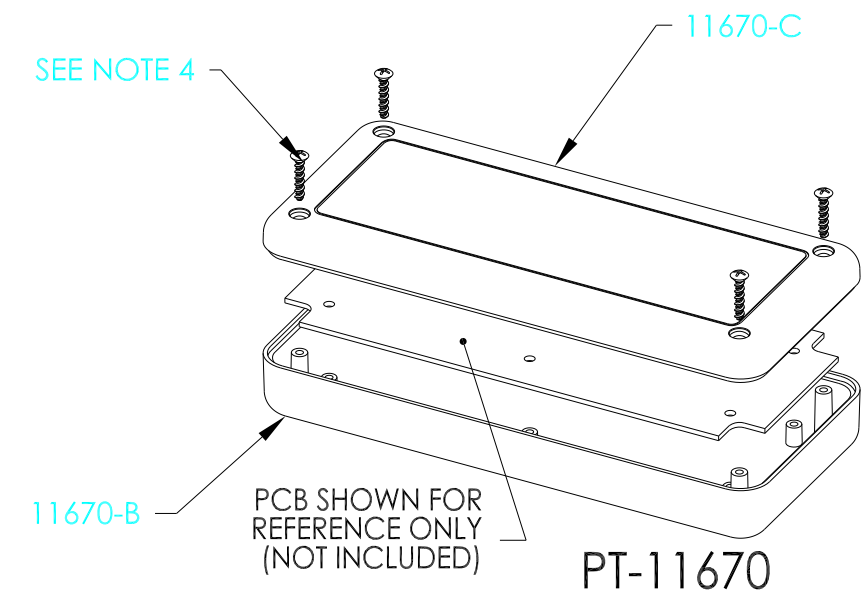
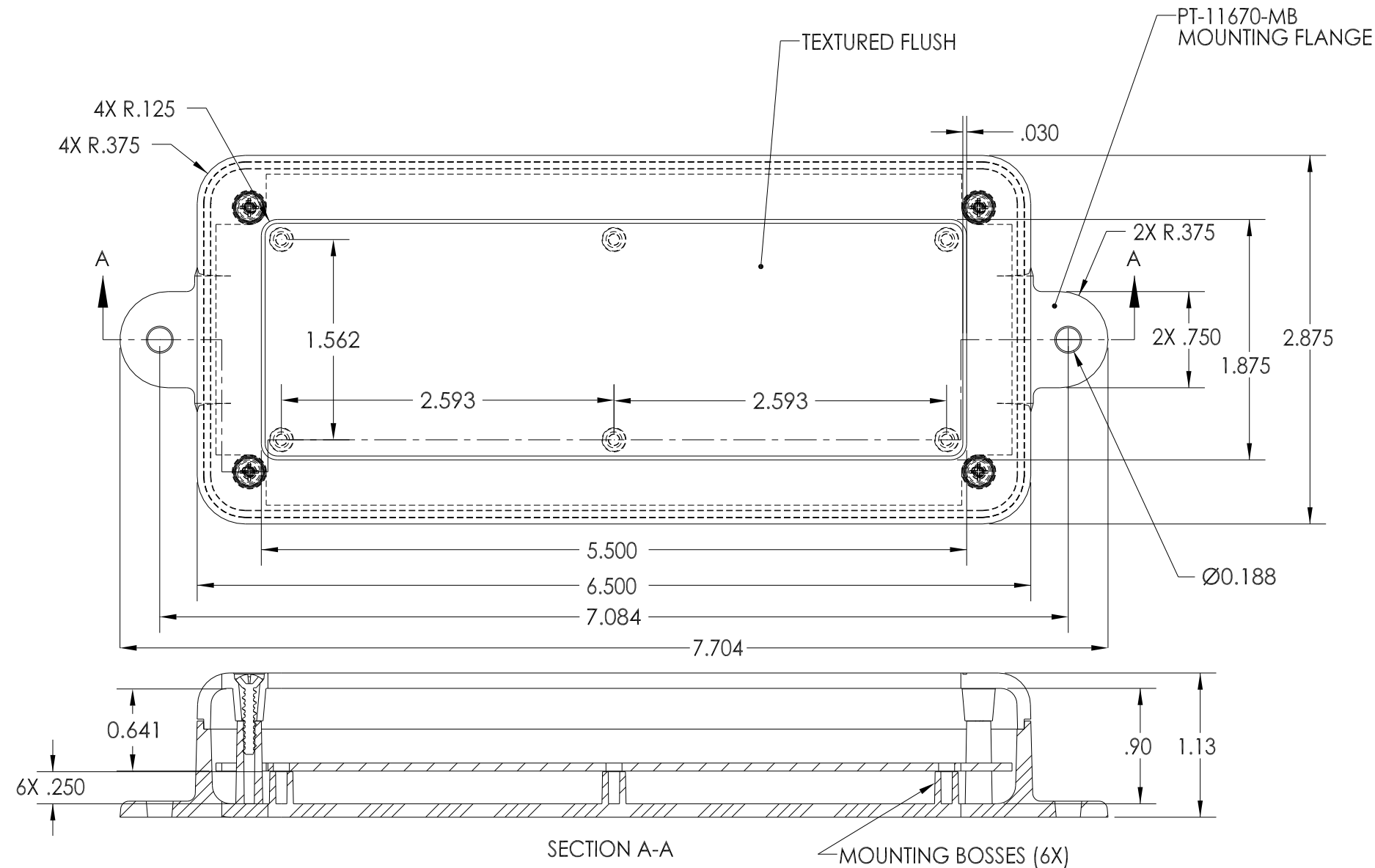
PLASTIBOX STYLE "H"

PART No.

PT-11670, PT-11670-MB

REV. DATE

7-11-18



NOTES:

- 1) PC BOARD BOSSSES WILL ACCEPT A #4 X 1/4" THREAD FORMING SCREW
- 2) MATERIAL: ABS - UL94-5VA
- 3) FINISH: BLACK TEXTURE
- 4) INCLUDES (4) #4-24 x 5/8 HI-LOW THREAD FORMING, CSK, OVAL HEAD, PHILLIPS DRIVE SCREWS FOR ATTACHING BODY TO COVER (MAX TORQUE 4.5 IN-LBS)