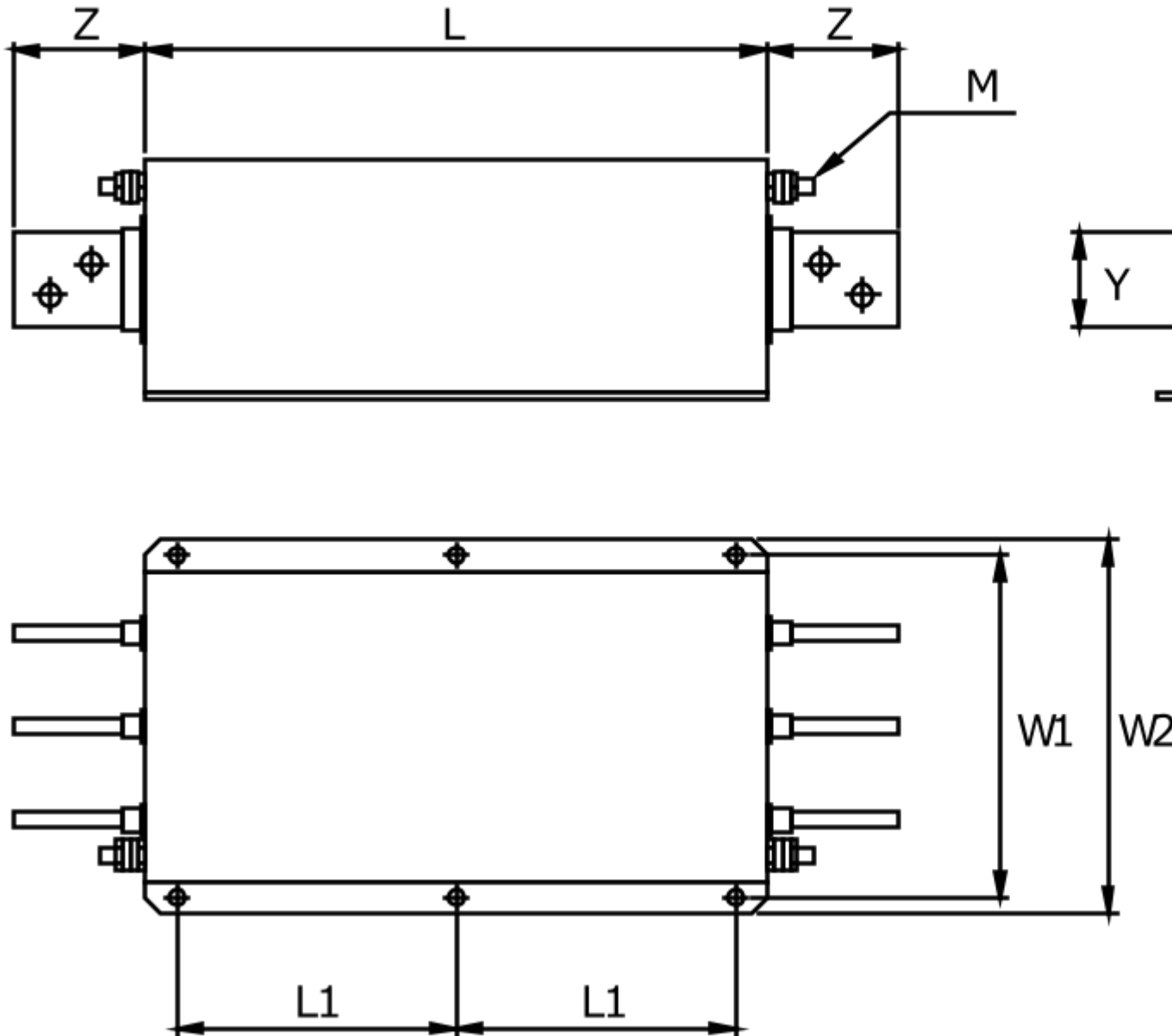


FLLD31K0APZI1

Aliases (LLD31K0APZI1)

KEMET, FLLD3-PH, EMI/RFI Filters, Noise Suppression, 690 VAC, 1 kA, 350x230x170mm



Click [here](#) for the 3D model.

Dimensions

L	350mm NOM
W	230mm NOM
H	170mm NOM

Dimensions

L1	145mm NOM
W1	255mm NOM
W2	280mm NOM
U	60mm NOM
X	8mm NOM
Y	40mm NOM
Z	55mm NOM
I	20mm NOM
N	14mm NOM

M (Earth) Threaded Studs M12

Packaging Specifications

Packaging	Bulk
Packaging Quantity	1
Component Weight	17000 g

General Information

Series	FLLD3-PH
Style	Chassis Mount
Description	EMI Filter, Compact, Without Y Capacitor
Features	Three Phase, High Current, High Voltage
Phase	Three-phase
RoHS	Yes
Qualifications	IEC/EN 60939, UL 1283
Terminal Type	Threaded Studs M12

Specifications

Voltage AC	690 VAC
Rated Frequency	50-60 Hz
Rated Current	1000 A (50°C)
Rated Temperature	50°C
Temperature Range	-40/+100°C
Climate Category	40/100/21
Test Voltage DC (P to P)	3100 VDC
Test Voltage DC (P to E)	3400 VDC
Power Loss	75 W (25°C 50 Hz)
Leakage Current	5 mA (MAX)

Statements of suitability for certain applications are based on our knowledge of typical operating conditions for such applications, but are not intended to constitute - and we specifically disclaim - any warranty concerning suitability for a specific customer application or use. This Information is intended for use only by customers who have the requisite experience and capability to determine the correct products for their application. Any technical advice inferred from this Information or otherwise provided by us with reference to the use of our products is given gratis, and we assume no obligation or liability for the advice given or results obtained.

Generated 5/18/2023 - 48050fe1-c6ce-4a2a-bce7-3437d5300482

© 2006 - 2023 KEMET

Generated 5/18/2023 - 48050fe1-c6ce-4a2a-bce7-3437d5300482

© 2006 - 2023 KEMET