

A

B

C

D

E

4

4

3

3

2

2

1

1

A

B

C

D

E

X1,X2,X3,X4,X5,X6,X16,X17,X18

PCA ADDITIONAL PARTS

STANDOFF,NYLON,SNAP-ON,0.25" (6.4mm)

LB1

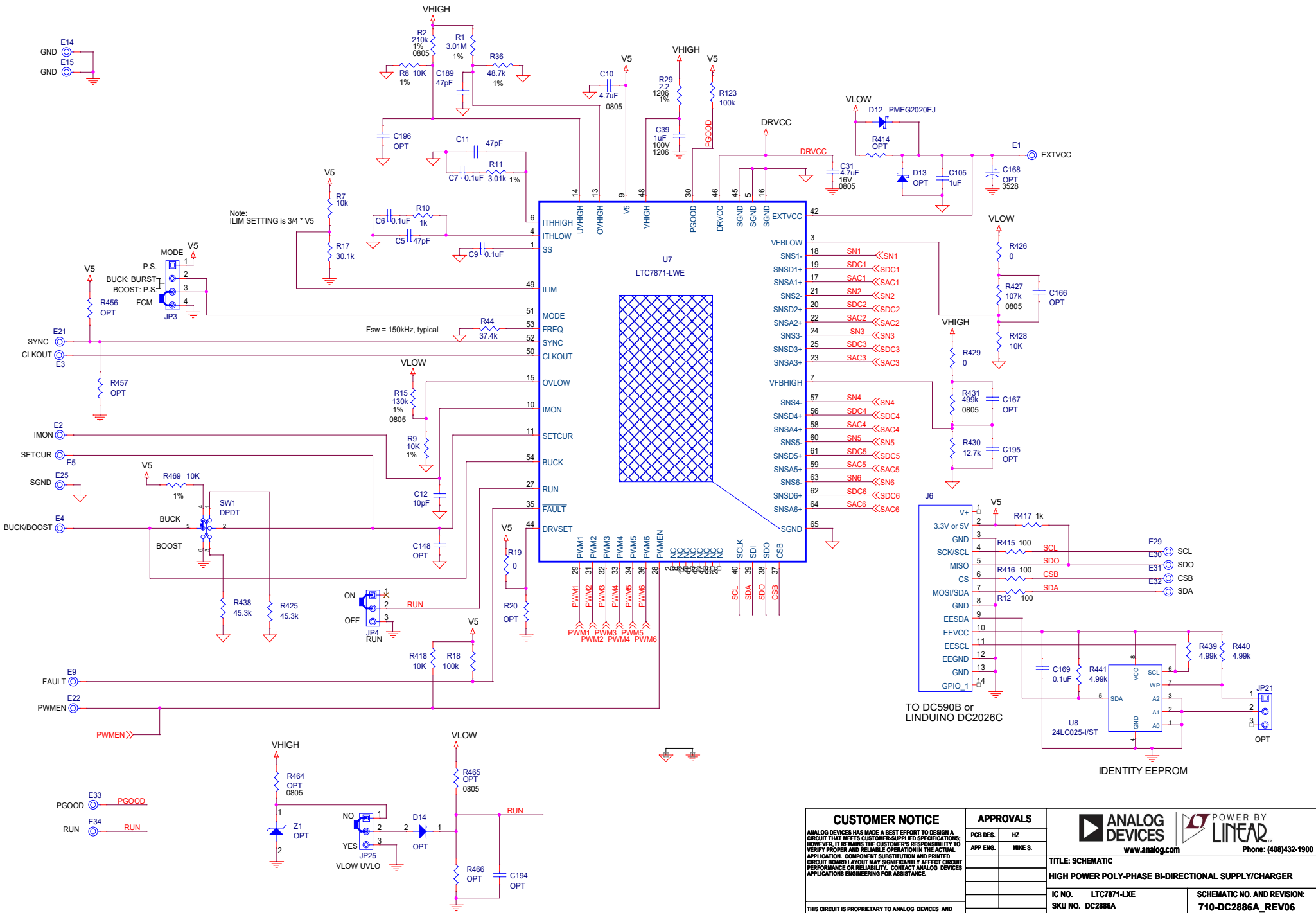
BOARD S/N LABEL 895-0154

PCB1

PCB, 600-DC2886A REV02

STNCL1

TOOL, STENCIL, DC2886A REV02



Note: ILIM SETTING is 3/4 * V5

Fsw = 150kHz, typical

TO DC590B or LINDUINO DC2026C

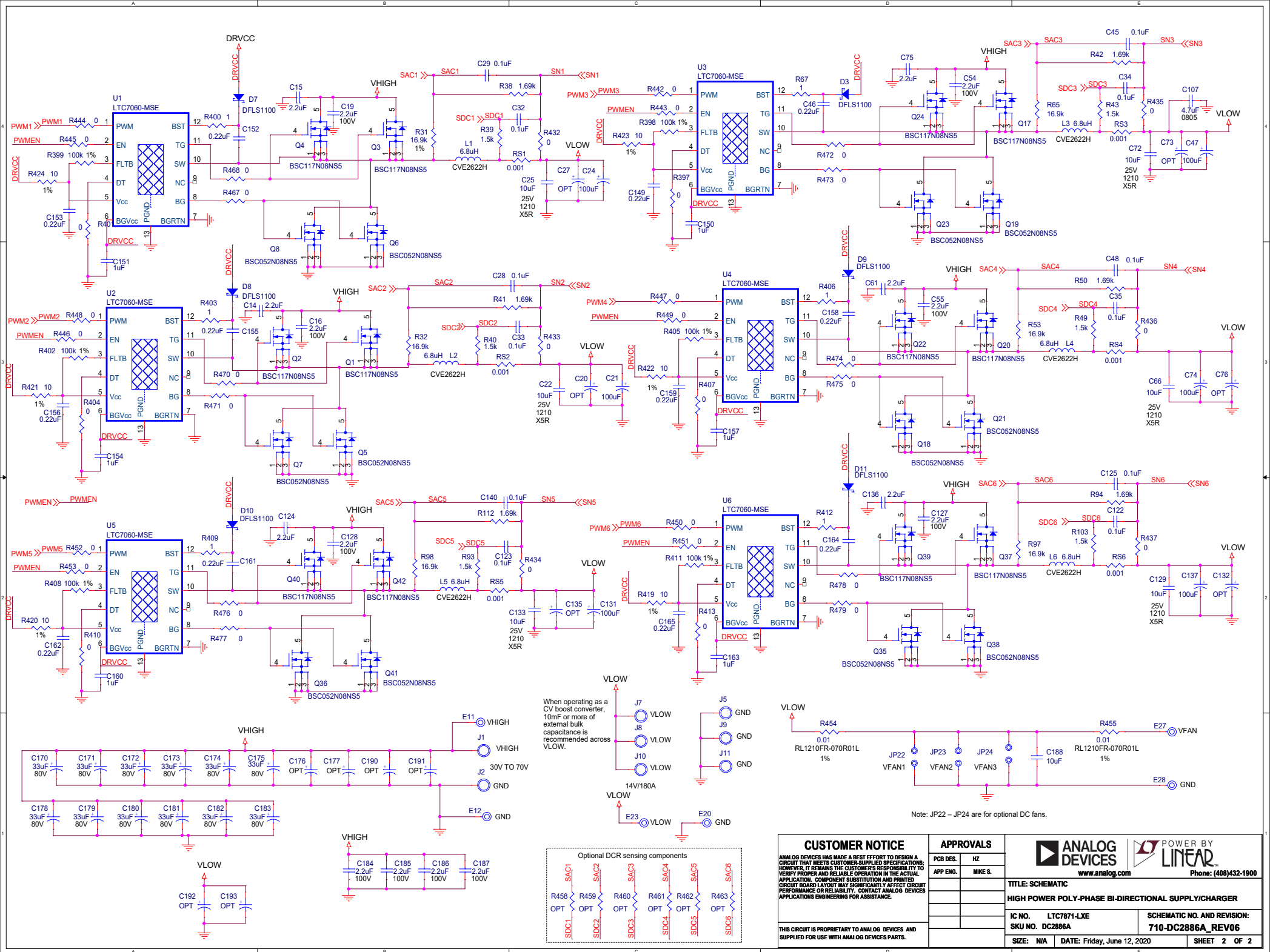
IDENTITY EEPROM

CUSTOMER NOTICE
 ANALOG DEVICES HAS MADE A BEST EFFORT TO DESIGN A CIRCUIT THAT MEETS CUSTOMER-SUPPLIED SPECIFICATIONS. HOWEVER, IT REMAINS THE CUSTOMER'S RESPONSIBILITY TO VERIFY PROPER AND RELIABLE OPERATION IN THE ACTUAL APPLICATION. COMPONENT SUBSTITUTION AND PRINTED CIRCUIT BOARD LAYOUT MAY SIGNIFICANTLY AFFECT CIRCUIT PERFORMANCE OR RELIABILITY. CONTACT ANALOG DEVICES APPLICATIONS ENGINEERING FOR ASSISTANCE.

THIS CIRCUIT IS PROPRIETARY TO ANALOG DEVICES AND SUPPLIED FOR USE WITH ANALOG DEVICES PARTS.

APPROVALS	
PCR DES:	HZ
APP ENG:	MIKE S.

TITLE: SCHEMATIC HIGH POWER POLY-PHASE BI-DIRECTIONAL SUPPLY/CHARGER	
IC NO. LTC7871-LXE	SCHEMATIC NO. AND REVISION: 710-DC2886A_REV06
SKU NO. DC2886A	
SIZE: N/A	DATE: Friday, June 12, 2020
	SHEET 1 OF 2



CUSTOMER NOTICE

ANALOG DEVICES HAS MADE A BEST EFFORT TO DESIGN A CIRCUIT THAT MEETS CUSTOMER-SUPPLIED SPECIFICATIONS; HOWEVER, IT REMAINS THE CUSTOMER'S RESPONSIBILITY TO VERIFY PROPER AND RELIABLE OPERATION IN THE ACTUAL APPLICATION. COMPONENT SUBSTITUTION AND PRINTED CIRCUIT BOARD LAYOUT MAY SIGNIFICANTLY AFFECT CIRCUIT PERFORMANCE OR RELIABILITY. CONTACT ANALOG DEVICES APPLICATIONS ENGINEERING FOR ASSISTANCE.

THIS CIRCUIT IS PROPRIETARY TO ANALOG DEVICES AND SUPPLIED FOR USE WITH ANALOG DEVICES PARTS.

APPROVALS

PCB DES.	HZ
APP ENG.	MIKE G.

www.analog.com Phone: (408)432-1900	
TITLE: SCHEMATIC	
HIGH POWER POLY-PHASE BI-DIRECTIONAL SUPPLY/CHARGER	
IC NO. LTC7871-LXE	SCHEMATIC NO. AND REVISION:
SKU NO. DC2886A	710-DC2886A_REV06
SIZE: N/A	DATE: Friday, June 12, 2020
SHEET 2 OF 2	