



**AON4407**  
**12V P-Channel MOSFET**

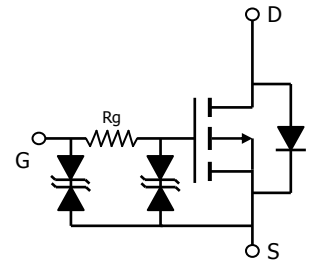
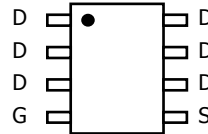
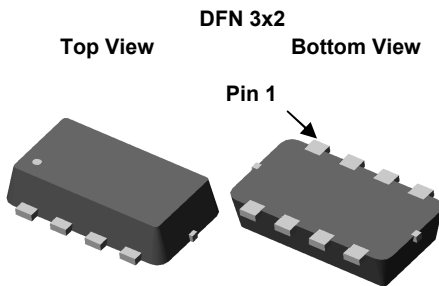
**General Description**

The AON4407 uses advanced trench technology to provide excellent  $R_{DS(ON)}$ , low gate charge and operation with gate voltages as low as 1.8V. This device is suitable for use as a load switch.

**Features**

$V_{DS}$  (V) = -12V  
 $I_D$  = -9 A ( $V_{GS}$  = -4.5V)  
 $R_{DS(ON)} < 20m\Omega$  ( $V_{GS}$  = -4.5V)  
 $R_{DS(ON)} < 25m\Omega$  ( $V_{GS}$  = -2.5V)  
 $R_{DS(ON)} < 31m\Omega$  ( $V_{GS}$  = -1.8V)

ESD Protected



**Absolute Maximum Ratings  $T_A=25^\circ\text{C}$  unless otherwise noted**

| Parameter                              | Symbol         | Maximum                | Units            |
|--|----------------|------------------------|------------------|
| Drain-Source Voltage                   | $V_{DS}$       | -12                    | V                |
| Gate-Source Voltage                    | $V_{GS}$       | $\pm 8$                | V                |
| Continuous Drain Current               | $I_D$          | $T_A=25^\circ\text{C}$ | -9               |
|  |                | $T_A=70^\circ\text{C}$ | -7               |
| Pulsed Drain Current <sup>C</sup>      | $I_{DM}$       | -60                    | A                |
| Power Dissipation <sup>B</sup>         | $P_D$          | $T_A=25^\circ\text{C}$ | 2.5              |
|  |                | $T_A=70^\circ\text{C}$ | 1.6              |
| Junction and Storage Temperature Range | $T_J, T_{STG}$ | -55 to 150             | $^\circ\text{C}$ |

**Thermal Characteristics**

| Parameter                                  | Symbol          | Typ | Max | Units              |
|--|-----------------|-----|-----|--------------------|
| Maximum Junction-to-Ambient <sup>A</sup>   | $R_{\theta JA}$ | 42  | 50  | $^\circ\text{C/W}$ |
| Maximum Junction-to-Ambient <sup>A,D</sup> |                 |     |     |                    |
| Maximum Junction-to-Lead                   | $R_{\theta JL}$ | 25  | 30  | $^\circ\text{C/W}$ |

Electrical Characteristics ( $T_J=25^\circ\text{C}$  unless otherwise noted)

| Symbol                      | Parameter                             | Conditions  | Min   | Typ   | Max      | Units         |
|-----------------------------|---------------------------------------|---|-------|-------|----------|---------------|
| <b>STATIC PARAMETERS</b>    |                                       |   |       |       |          |               |
| $BV_{DSS}$                  | Drain-Source Breakdown Voltage        | $I_D=-250\mu\text{A}$ , $V_{GS}=0\text{V}$  | -12   |       |          | V             |
| $I_{DSS}$                   | Zero Gate Voltage Drain Current       | $V_{DS}=-12\text{V}$ , $V_{GS}=0\text{V}$   |       |       | -1       | $\mu\text{A}$ |
|                             |                                       | $T_J=55^\circ\text{C}$  |       |       | -5       |               |
| $I_{GSS}$                   | Gate-Body leakage current             | $V_{DS}=0\text{V}$ , $V_{GS}=\pm 8\text{V}$   |       |       | $\pm 10$ | $\mu\text{A}$ |
| $V_{GS(th)}$                | Gate Threshold Voltage                | $V_{DS}=V_{GS}$ , $I_D=-250\mu\text{A}$   | -0.35 | -0.5  | -0.85    | V             |
| $I_{D(ON)}$                 | On state drain current                | $V_{GS}=-4.5\text{V}$ , $V_{DS}=-5\text{V}$   | -60   |       |          | A             |
| $R_{DS(ON)}$                | Static Drain-Source On-Resistance     | $V_{GS}=-4.5\text{V}$ , $I_D=-9\text{A}$  |       | 16.5  | 20       | m $\Omega$    |
|                             |                                       | $T_J=125^\circ\text{C}$   |       | 22    | 26       |               |
|                             |                                       | $V_{GS}=-2.5\text{V}$ , $I_D=-8.5\text{A}$  |       | 20    | 25       | m $\Omega$    |
|                             |                                       | $V_{GS}=-1.8\text{V}$ , $I_D=-7.5\text{A}$  |       | 24    | 31       | m $\Omega$    |
|                             |                                       | $V_{GS}=-1.5\text{V}$ , $I_D=-7\text{A}$  |       | 29    | 38       | m $\Omega$    |
| $g_{FS}$                    | Forward Transconductance              | $V_{DS}=-5\text{V}$ , $I_D=-9\text{A}$  |       | 45    |          | S             |
| $V_{SD}$                    | Diode Forward Voltage                 | $I_S=-1\text{A}$ , $V_{GS}=0\text{V}$   |       | -0.53 | -1       | V             |
| $I_S$                       | Maximum Body-Diode Continuous Current |   |       |       | -2.5     | A             |
| <b>DYNAMIC PARAMETERS</b>   |                                       |   |       |       |          |               |
| $C_{iss}$                   | Input Capacitance                     | $V_{GS}=0\text{V}$ , $V_{DS}=-6\text{V}$ , $f=1\text{MHz}$                            |       | 1740  | 2100     | pF            |
| $C_{oss}$                   | Output Capacitance                    |   |       | 334   |          |               |
| $C_{rss}$                   | Reverse Transfer Capacitance          |   |       | 200   |          |               |
| $R_g$                       | Gate resistance                       | $V_{GS}=0\text{V}$ , $V_{DS}=0\text{V}$ , $f=1\text{MHz}$                             |       | 1.3   | 1.7      | k $\Omega$    |
| <b>SWITCHING PARAMETERS</b> |                                       |   |       |       |          |               |
| $Q_g$                       | Total Gate Charge                     | $V_{GS}=-4.5\text{V}$ , $V_{DS}=-6\text{V}$ , $I_D=-9\text{A}$                        |       | 19    | 23       | nC            |
| $Q_{gs}$                    | Gate Source Charge                    |   |       | 4.5   |          |               |
| $Q_{gd}$                    | Gate Drain Charge                     |   |       | 5.3   |          |               |
| $t_{D(on)}$                 | Turn-On DelayTime                     | $V_{GS}=-4.5\text{V}$ , $V_{DS}=-6\text{V}$ , $R_L=0.67\Omega$ ,<br>$R_{GEN}=3\Omega$ |       | 240   |          | ns            |
| $t_r$                       | Turn-On Rise Time                     |   |       | 580   |          |               |
| $t_{D(off)}$                | Turn-Off DelayTime                    |   |       | 7     |          |               |
| $t_f$                       | Turn-Off Fall Time                    |   |       | 4.2   |          |               |
| $t_{rr}$                    | Body Diode Reverse Recovery Time      | $I_F=-9\text{A}$ , $dI/dt=100\text{A}/\mu\text{s}$                                    |       | 22    | 27       | ns            |
| $Q_{rr}$                    | Body Diode Reverse Recovery Charge    | $I_F=-9\text{A}$ , $dI/dt=100\text{A}/\mu\text{s}$                                    |       | 17    |          | nC            |

A. The value of  $R_{\theta JA}$  is measured with the device mounted on 1in<sup>2</sup> FR-4 board with 2oz. Copper, in a still air environment with  $T_A=25^\circ\text{C}$ . The value in any given application depends on the user's specific board design.

B. The power dissipation  $P_D$  is based on  $T_{J(MAX)}=150^\circ\text{C}$ , using  $\leq 10\text{s}$  junction-to-ambient thermal resistance.

C. Repetitive rating, pulse width limited by junction temperature  $T_{J(MAX)}=150^\circ\text{C}$ . Ratings are based on low frequency and duty cycles to keep initial  $T_J=25^\circ\text{C}$ .

D. The  $R_{\theta JA}$  is the sum of the thermal impedance from junction to lead  $R_{\theta JL}$  and lead to ambient.

E. The static characteristics in Figures 1 to 6 are obtained using  $<300\mu\text{s}$  pulses, duty cycle 0.5% max.

F. These curves are based on the junction-to-ambient thermal impedance which is measured with the device mounted on 1in<sup>2</sup> FR-4 board with 2oz. Copper, assuming a maximum junction temperature of  $T_{J(MAX)}=150^\circ\text{C}$ . The SOA curve provides a single pulse rating.

Rev 1: June 2009

COMPONENTS IN LIFE SUPPORT DEVICES OR SYSTEMS ARE NOT AUTHORIZED. AOS DOES NOT ASSUME ANY LIABILITY ARISING OUT OF SUCH APPLICATIONS OR USES OF ITS PRODUCTS. AOS RESERVES THE RIGHT TO IMPROVE PRODUCT DESIGN, FUNCTIONS AND RELIABILITY WITHOUT NOTICE.

TYPICAL ELECTRICAL AND THERMAL CHARACTERISTICS

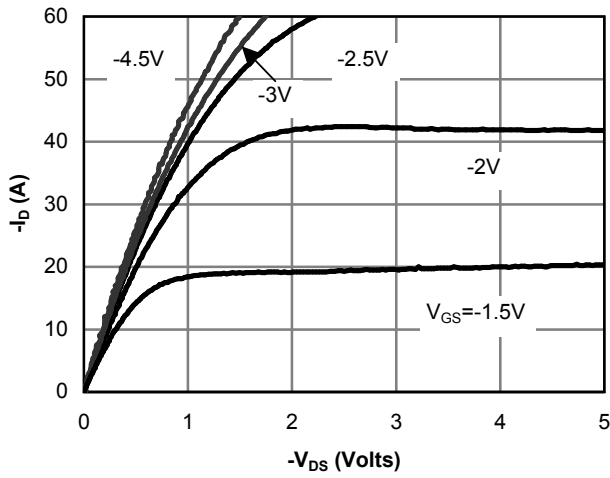


Figure 1: On-Region Characteristics(Note E)

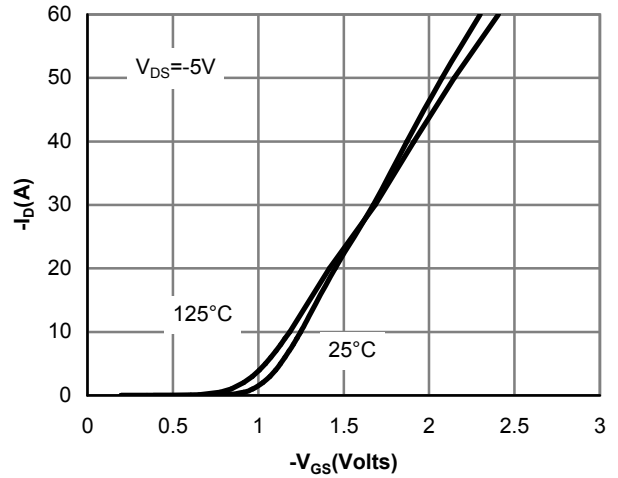


Figure 2: Transfer Characteristics(Note E)

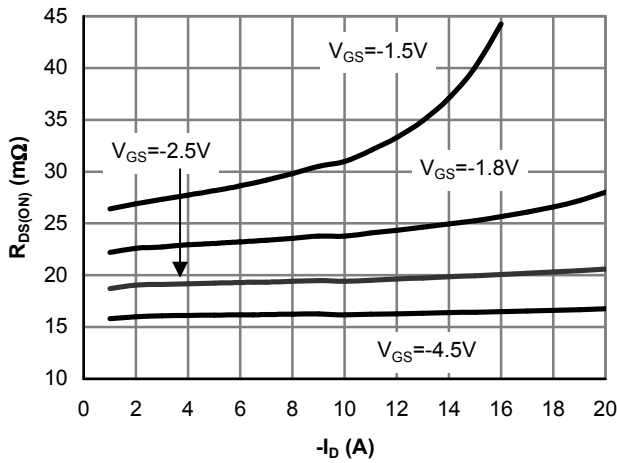


Figure 3: On-Resistance vs. Drain Current and Gate Voltage(Note E)

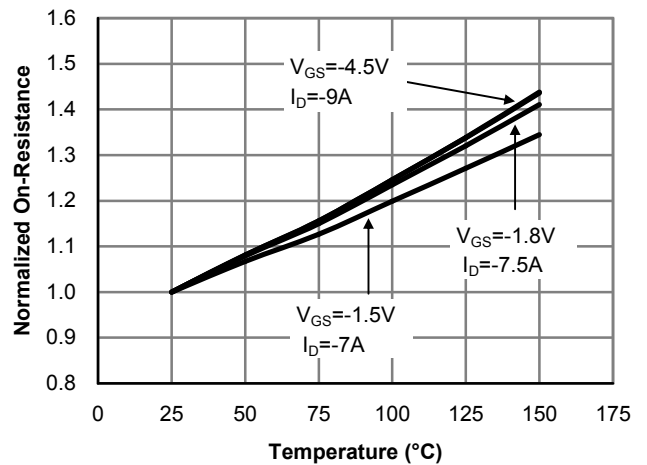


Figure 4: On-Resistance vs. Junction Temperature(Note E)

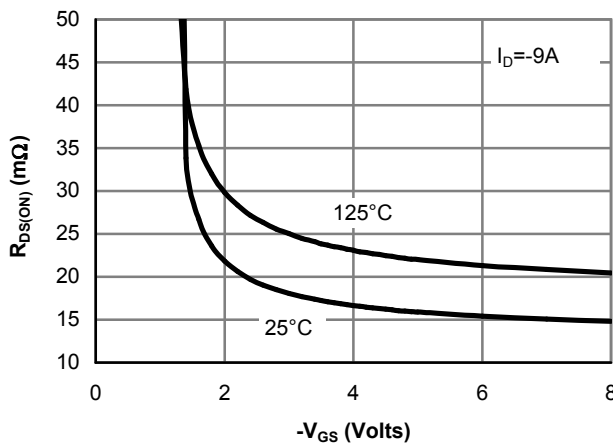


Figure 5: On-Resistance vs. Gate-Source Voltage(Note E)

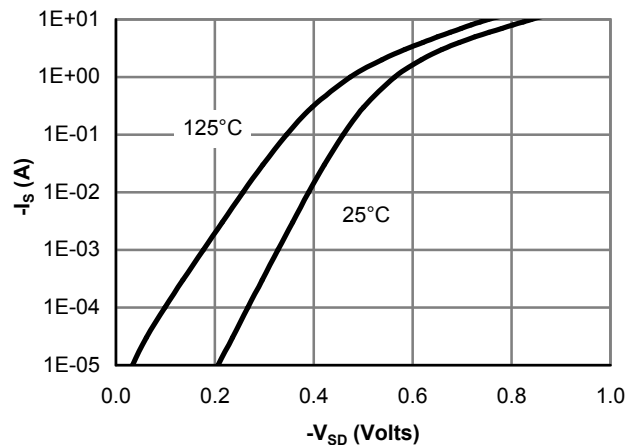


Figure 6: Body-Diode Characteristics(Note E)

TYPICAL ELECTRICAL AND THERMAL CHARACTERISTICS

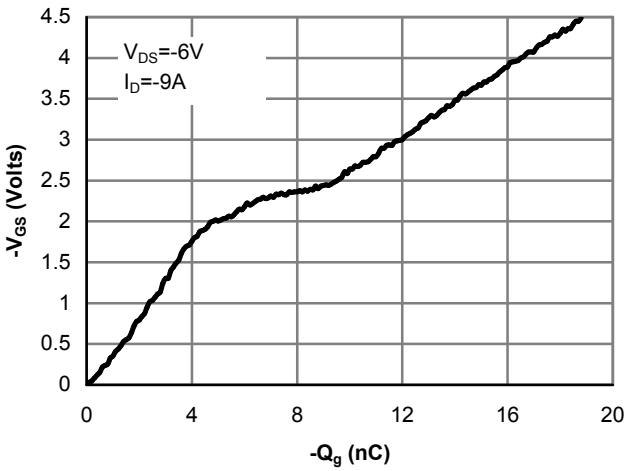


Figure 7: Gate-Charge Characteristics

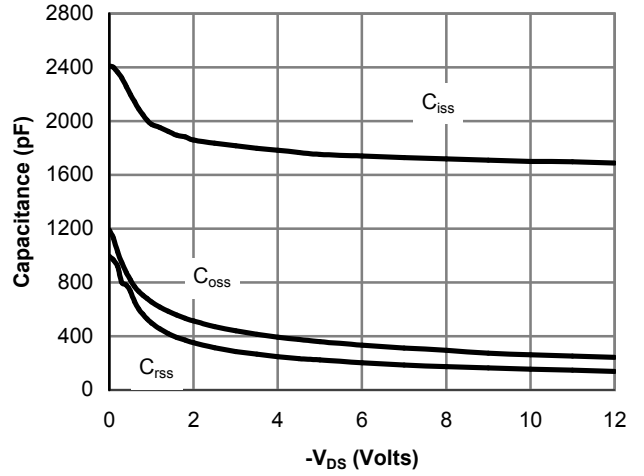


Figure 8: Capacitance Characteristics

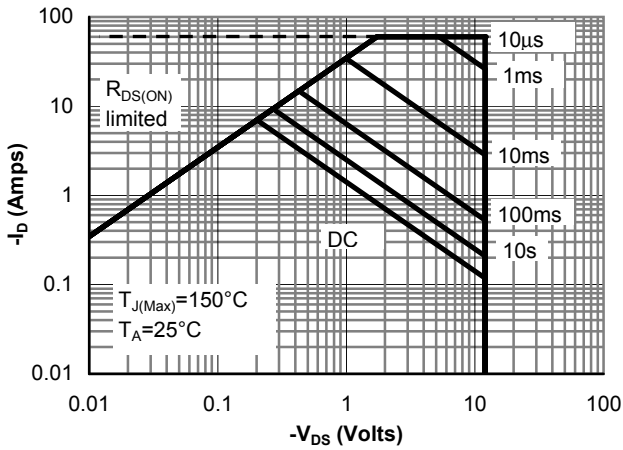


Figure 9: Maximum Forward Biased Safe Operating Area (Note F)

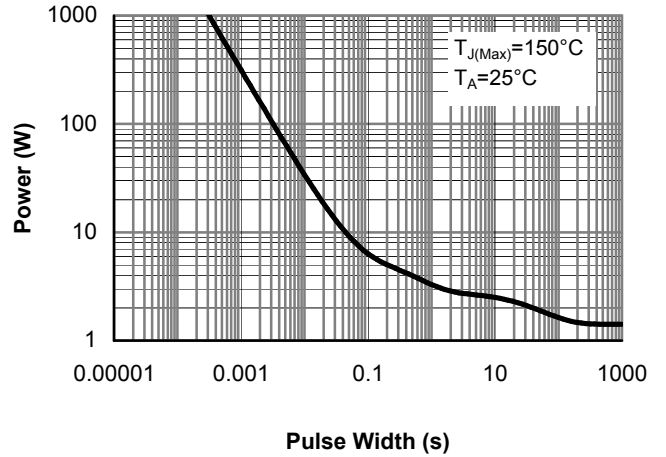


Figure 10: Single Pulse Power Rating Junction-to-Ambient (Note F)

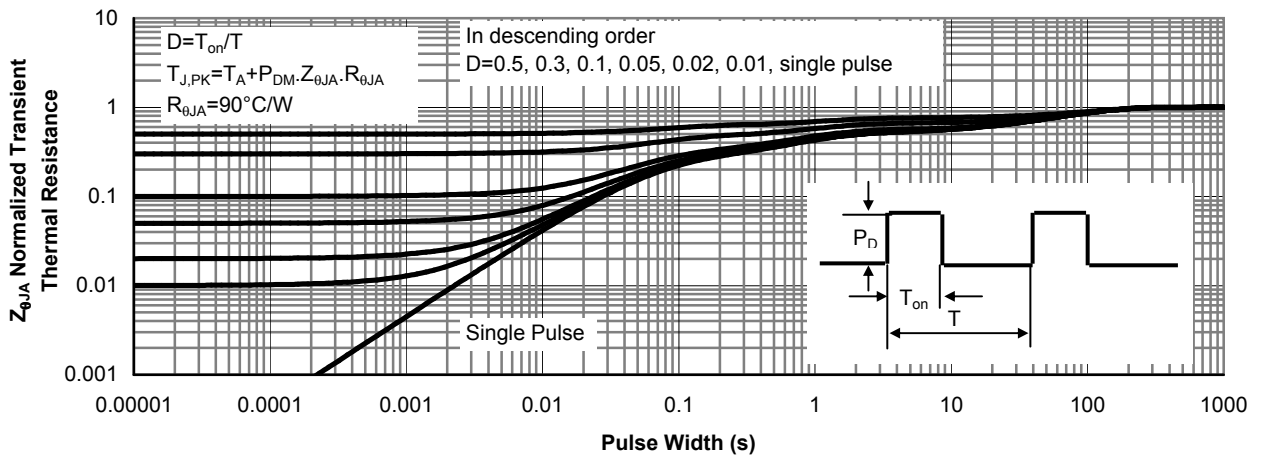
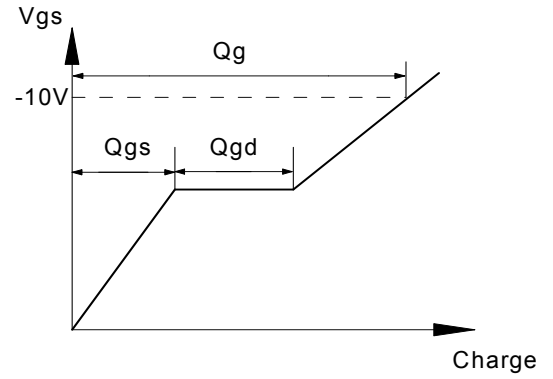
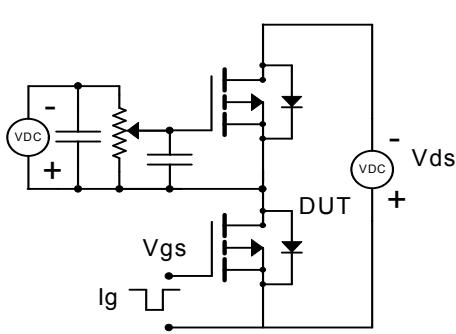
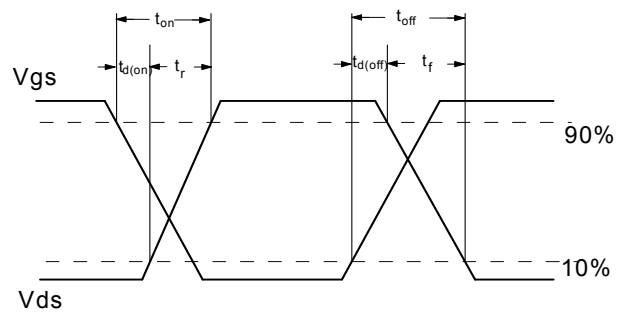
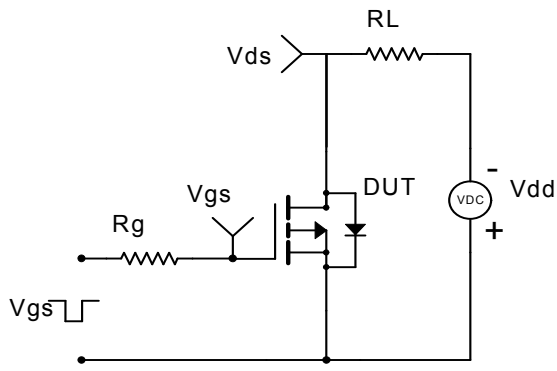


Figure 11: Normalized Maximum Transient Thermal Impedance (Note F)

Gate Charge Test Circuit & Waveform



Resistive Switching Test Circuit & Waveforms



Diode Recovery Test Circuit & Waveforms

