

DESCRIPTION: 979 SERIES D-SUB BACKSHELL - DIE CAST

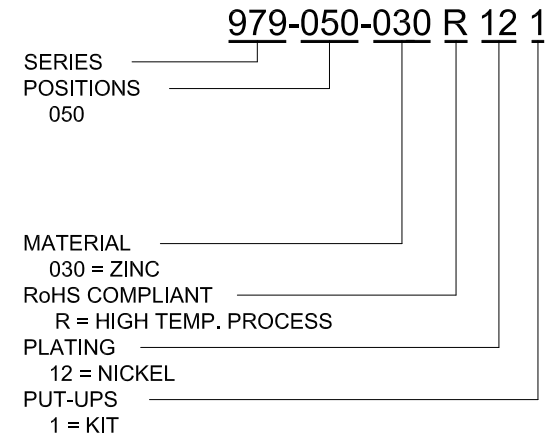
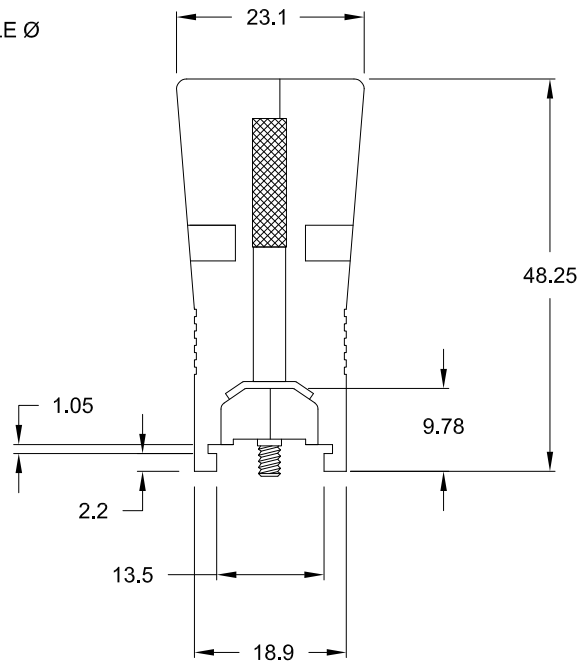
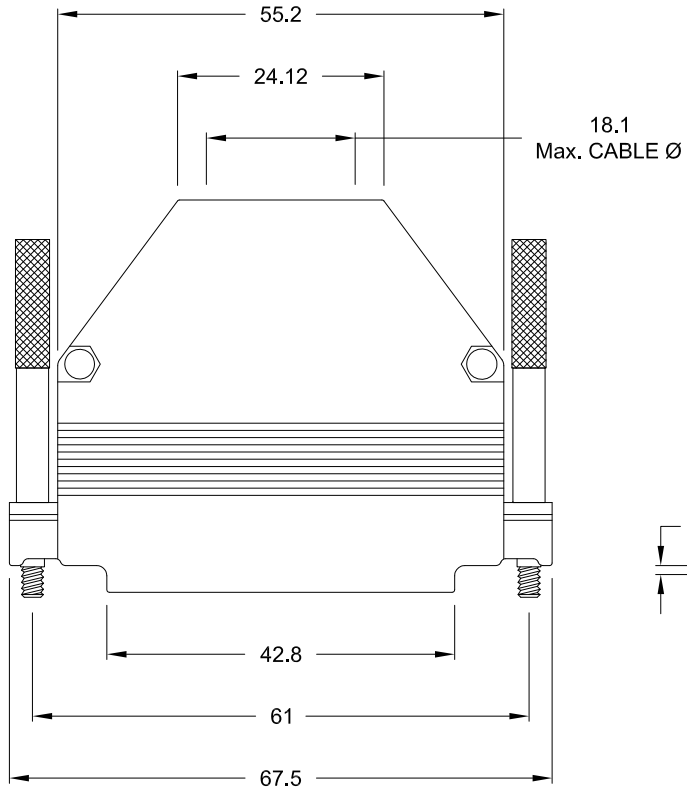
ALL TOLERANCES = ± 0.3
UNLESS OTHERWISE INDICATED

DESIGNED TO ACCOMMODATE STANDARD:
D-SUB - Shell Size 5

BACKSHELL KIT INCLUDES:

- 2 - BACKSHELL HALVES
- 2 - 4-40 THUMBSCREWS
- 2 - SADDLE WASHERS
- 2 - HOUSING SCREWS
- 2 - HOUSING NUTS
- 2 - MATING SCREWS
- 1 - GROMMET TREE - VARIOUS SIZES
(NON-CONDUCTIVE GROMMETS)


MATERIAL: DIE-CAST ZINC ALLOY
PLATING: NICKEL
OPERATING TEMPERATURE: -45°C TO +120°C



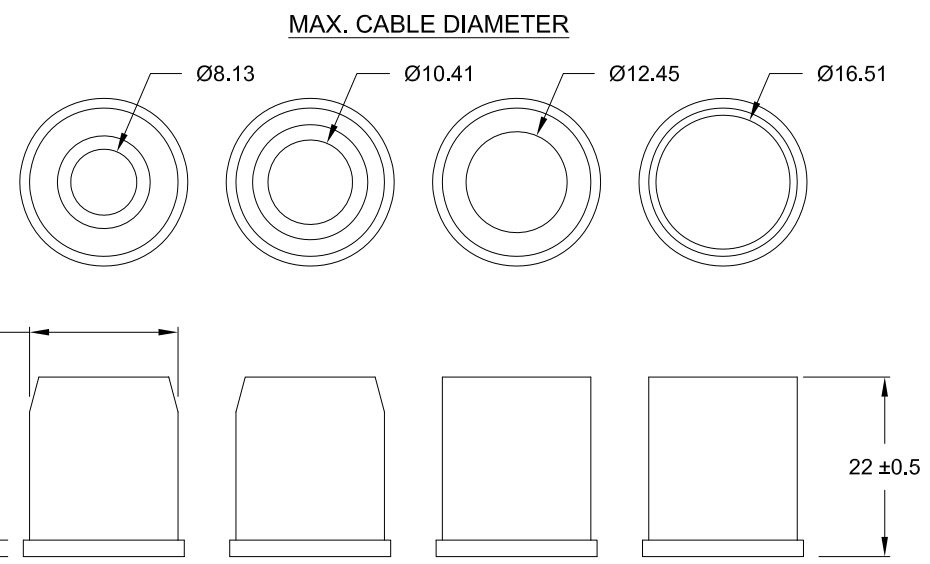
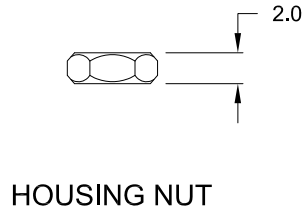
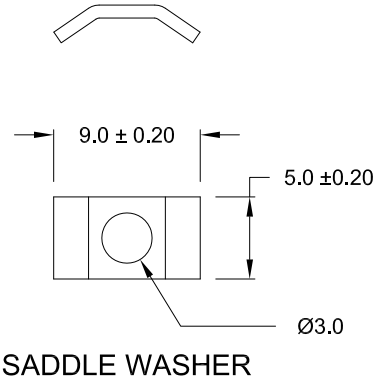
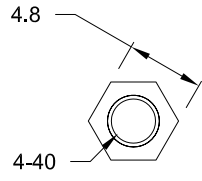
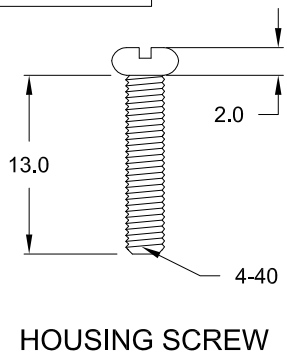
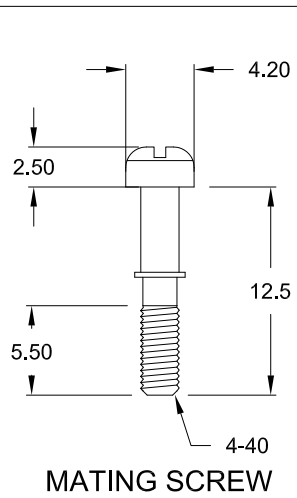
UNITS = mm

DO NOT SCALE FROM DRAWING

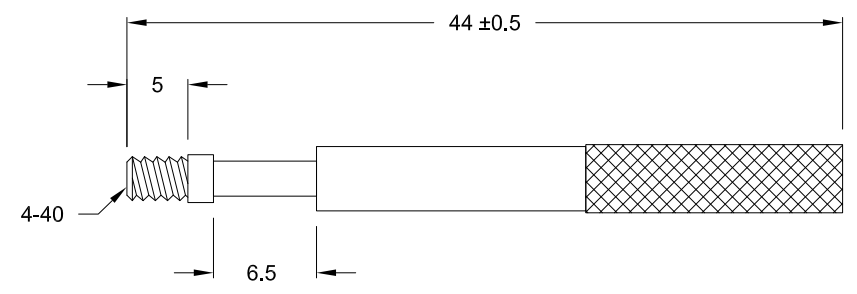
RoHS COMPLIANT

	THESE DRAWINGS AND SPECIFICATIONS ARE THE PROPERTY OF NorComp AND SHALL NOT BE REPRODUCED, COPIED OR USED AS THE BASIS FOR THE MANUFACTURE OF SALE OF APPARATUS WITHOUT WRITTEN PERMISSION.		DRAWN: C. SMITH	DATE: 04-20-10
	<h1>NorComp</h1>		SCALE: NTS	SHEET 1 OF 2
DWG NO. 979-050-030R121				

DESCRIPTION: 979 SERIES D-SUB BACKSHELL - HARDWARE



MATERIAL: NON CONDUCTIVE PVC - BLACK
P/N: 162-000-050R000



ALL HARDWARE:
MATERIAL = STEEL
PLATING = NICKEL

DO NOT SCALE FROM DRAWING

RoHS COMPLIANT

UNITS = mm

	THESE DRAWINGS AND SPECIFICATIONS ARE THE PROPERTY OF NorComp AND SHALL NOT BE REPRODUCED, COPIED OR USED AS THE BASIS FOR THE MANUFACTURE OF SALE OF APPARATUS WITHOUT WRITTEN PERMISSION.		DRAWN: C. SMITH	DATE: 04-20-10
	NorComp		SCALE: NTS	SHEET 2 OF 2
DWG NO. 979-050-030R121				