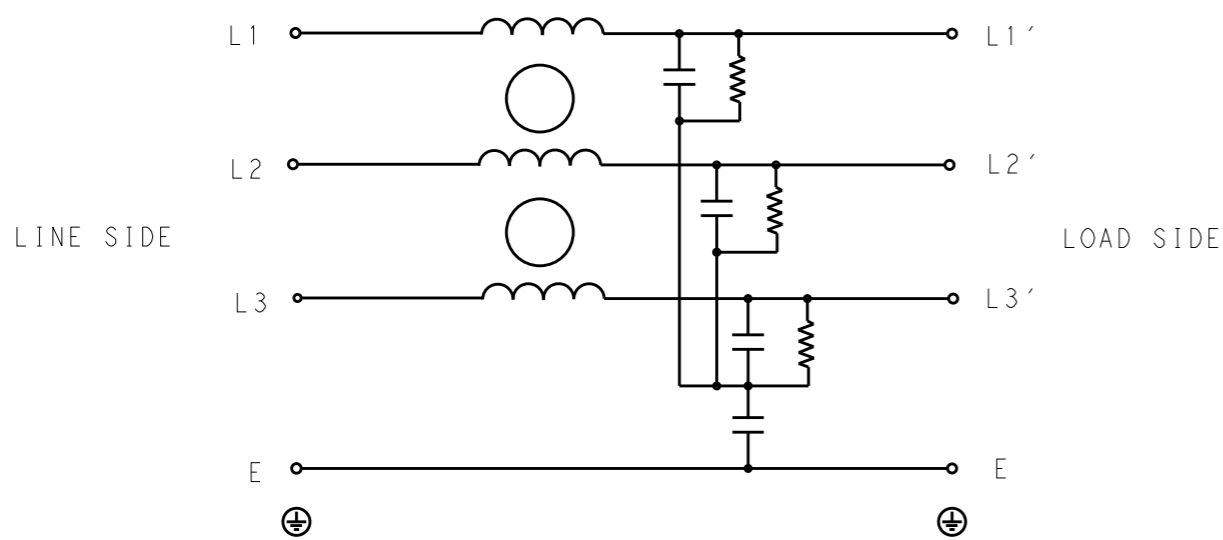


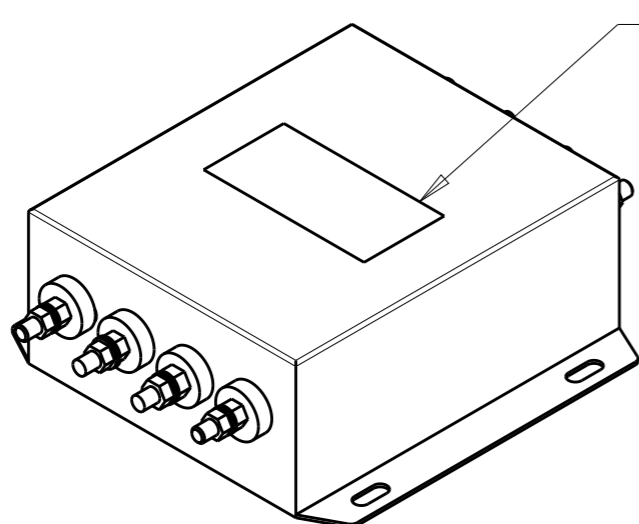
P	LTR	DESCRIPTION	DATE	DWN	APVD
	B	INITIAL RELEASE	25FEB2020	SR	LI



SCHEMATIC

TYPICAL INSERTION LOSS
COMMON MODE 50/50Ω; DIFFERENTIAL MODE 50/50Ω

MHz	0.01	0.05	0.15	0.5	1	3	5	10	30
CM	3	3	10	23	32	34	45	43	30
DM	3	4	8	29	31	36	42	49	49



LABEL TO TE MARKING SPECIFICATION

SAFETY ORGANIZATIONS

THIS FILTER WILL BE FORMALLY RECOGNIZED, CERTIFIED OR APPROVED BY THE LISTED AGENCY. THEREFORE, ALL TEST/REQUIREMENTS SPECIFIED IN THE LATEST REVISION OF THE FOLLOWING AGENCY STANDARDS WILL BE MET:

UL RECOGNIZED* 50A 440V 50Hz/60Hz 40°C
CSA CERTIFIED** 50A 440V 50Hz/60Hz 40°C

*31 JULY 2020 ; **31 AUGUST 2020

OPERATING SPECIFICATION

LINE CURRENT/VOLTAGE: 50A, 440VAC
LINE FREQUENCY: 50/60Hz

MAXIMUM LEAKAGE CURRENT: 5mA @ 230VAC, 50Hz

OPERATING AMBIENT TEMPERATURE RANGE @ RATED CURRENT: -25°C TO +40°C

IN AN AMBIENT, T_a, HIGHER THAN 40°C, THE MAXIMUM OPERATING CURRENT, I_o, IS AS FOLLOWS:

$$I_o = I_r \sqrt{\frac{85 - T_a}{45}}$$

RELIABILITY SPECIFICATIONS

STORAGE TEMPERATURE: -40°C TO +85°C
HUMIDITY: 21 DAYS @ 40°C AND 95% RH

TEST SPECIFICATIONS

INDUCTANCE, NOMINAL: 0.25mH

CAPACITANCE @ 1kHz

LINE TO GROUND, NOMINAL: 21nF
LINE TO LINE, NOMINAL: 235nF

DISCHARGE RESISTOR

L/G I.R. 680KΩ 1W
L/L I.R. 2MΩ 1W
L/N I.R. XXX
N/G I.R. XXX
IR (NO DISCHARGE RESISTOR) 20°C, 50% RH AND 100VDC, MIN: 6MΩ

RECOMMENDED RECEIVING INSPECITON HIPOI

LINE TO GROUND FOR 1 MINUTE: 2632VDC
LINE TO LINE FOR 1 MINUTE: 1892VDC

FILTER APPROVAL

THE BEST WAY TO SELECT AND QUALIFY A FILTER IS FOR YOUR ENGINEERING TO TEST THE UNIT IN YOUR EQUIPMENT.

THIS DRAWING IS A CONTROLLED DOCUMENT.		DWN SUPREETH R 06FEB2020		
DIMENSIONS: mm		CHK LEO IRUDHAYARAJ 06FEB2020		
TOLERANCES UNLESS OTHERWISE SPECIFIED:		APVD LEO IRUDHAYARAJ 06FEB2020	NAME POWER LINE FILTER 50KEBS6AFPD	
0 PLC ±-		PRODUCT SPEC -	SIZE A300779	
1 PLC ±0.5		APPLICATION SPEC -	CAGE CODE C-1-1609965-9	
2 PLC ±0.40		WEIGHT -	DRAWING NO	
3 PLC ±0.130		CUSTOMER DRAWING	RESTRICTED TO -	
4 PLC ±0.0500		SCALE 1:2	SHEET 1 OF 2	
ANGLES ±-			REV B	
MATERIAL -				
FINISH -				

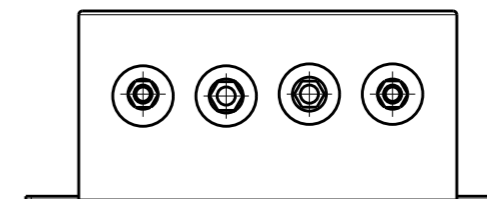
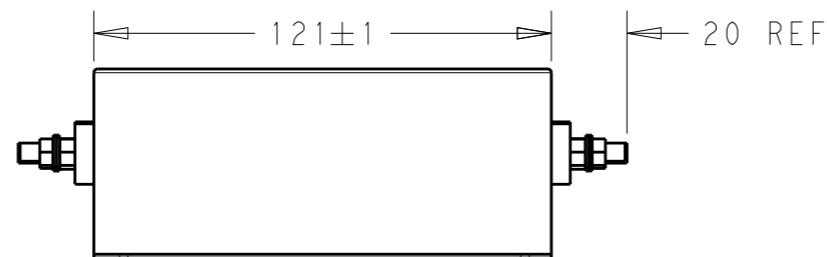
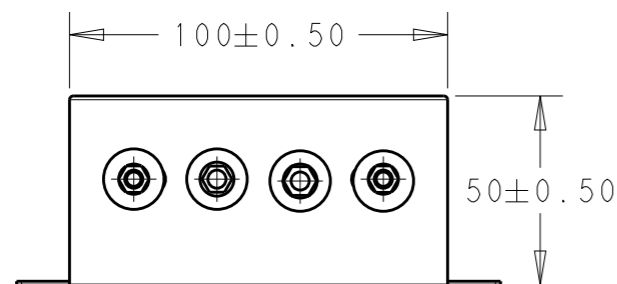
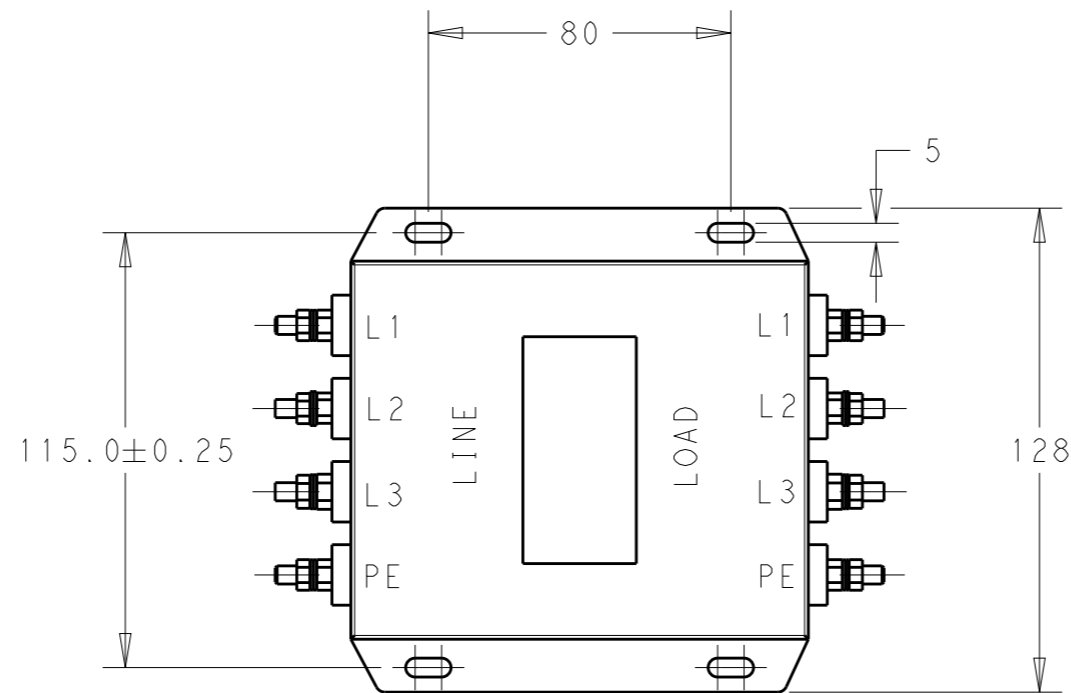
© 2020 TE Connectivity. All Rights Reserved.

NOTE 1 GROUND CONNECTION:
DO NOT LOOSEN INNER GROUND NUTS.
TORQUE OUTER TERMINAL /GROUND NUTS: 2.5-3Nm

NOTE 2 INPUT OUTPUT CONNECTION TERMINAL
AWG SIZE: XXX
THREADED BOLT SIZE FOR TERMINAL: M6
THREADED BOLT SIZE FOR GROUND: M6

REVISIONS

P	LTR	DESCRIPTION	DATE	DWN	APVD
		SEE SHEET 1			



THIS DRAWING IS A CONTROLLED DOCUMENT.

DIMENSIONS: mm	
MATERIAL -	

TOLERANCES UNLESS OTHERWISE SPECIFIED:	
0 PLC	±-
1 PLC	±0.5
2 PLC	±0.40
3 PLC	±0.130
4 PLC	±0.0500
ANGLES	±-
FINISH -	

DWN	06FEB2020
SUPREETH R	
CHK	06FEB2020
LEO IRUDHAYARAJ	
APVD	06FEB2020
LEO IRUDHAYARAJ	
PRODUCT SPEC	-
APPLICATION SPEC	-
WEIGHT	-
CUSTOMER DRAWING	

		NAME		RESTRICTED TO
		POWER LINE FILTER 50KEBS6AFPD		
SIZE	CAGE CODE	DRAWING NO	-	
A3	00779	C-1-1609965-9	-	
SCALE		SHEET	OF	REV
1:2		2	2	B