

2SA562-O 2SA562-Y

PNP Silicon Transistors

Features

- Excellent h_{FE} Linearity
- Epoxy meets UL 94 V-0 flammability rating
- Moisture Sensitivity Level 1
- Lead Free Finish/RoHS Compliant ("P" Suffix designates RoHS Compliant. See ordering information)

Maximum Ratings

Symbol	Rating	Rating	Unit
V_{CEO}	Collector-Emitter Voltage	-30	V
V_{CBO}	Collector-Base Voltage	-35	V
V_{EBO}	Emitter-Base Voltage	-5.0	V
I_C	Collector Current	-500	mA
P_C	Collector power dissipation	500	mW
T_J	Junction Temperature	150	°C
T_{STG}	Storage Temperature	-55 to +150	°C

Electrical Characteristics @ 25°C Unless Otherwise Specified

Symbol	Parameter	Min	Max	Units
--------	-----------	-----	-----	-------

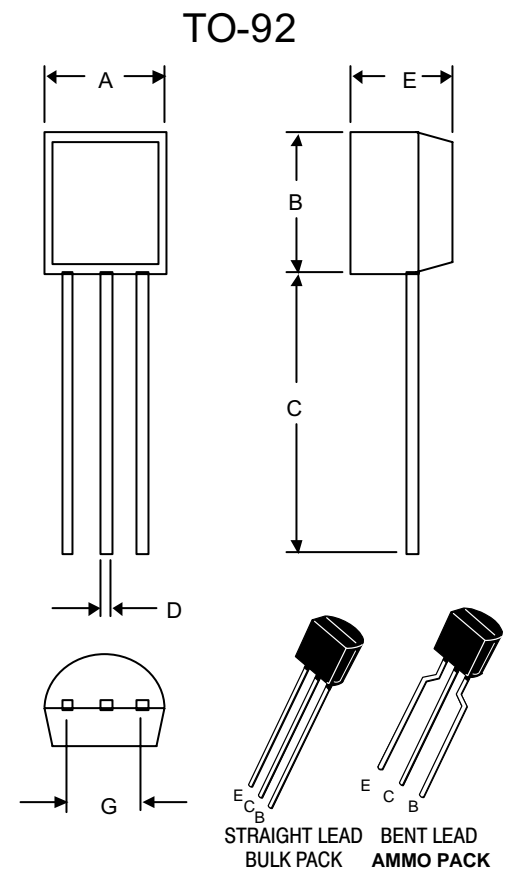
OFF CHARACTERISTICS

$V_{(BR)CBO}$	Collector-Base Breakdown Voltage ($I_C=-100\mu A_{dc}$, $I_E=0$)	-35	---	---	Vdc
$V_{(BR)CEO}$	Collector-Emitter Breakdown Voltage ($I_C=-1mA_{dc}$, $I_B=0$)	-30	---	---	Vdc
$V_{(BR)EBO}$	Emitter-Base Breakdown Voltage ($I_E=-100\mu A_{dc}$, $I_C=0$)	-5.0	---	---	Vdc
I_{CBO}	Collector-Base Cutoff Current ($V_{CB}=-35V_{dc}$, $I_E=0$)	---	---	-0.1	μA_{dc}
I_{EBO}	Emitter-Base Cutoff Current ($V_{EB}=-5.0V_{dc}$, $I_C=0$)	---	---	-0.1	μA_{dc}

ON CHARACTERISTICS

h_{FE}	DC Current Gain* ($I_C=-100mA_{dc}$, $V_{CE}=-1.0V_{dc}$)	70	---	240	---
$V_{CE(sat)}$	Collector-Emitter Saturation Voltage ($I_C=-100mA_{dc}$, $I_B=-10mA_{dc}$)	---	---	-0.25	Vdc
V_{BE}	Base-Emitter Voltage ($V_{CE}=-1.0V_{dc}$, $I_C=-100mA_{dc}$)	---	---	-1.0	Vdc
f_T	Transition Frequency ($V_{CE}=-6V_{dc}$, $I_C=-20mA_{dc}$)	---	200	---	MHz
C_{ob}	Collector Output Capacitance ($V_{CB}=-6V_{dc}$, $I_E=0$, $f=1.0MHz$)	---	13	---	pF

* h_{FE} rank / O: 70-140, Y:120-240,



DIM	DIMENSIONS				NOTE
	INCHES		MM		
A	.170	.190	4.33	4.83	
B	.170	.190	4.30	4.83	
C	.550	.590	13.97	14.97	
D	.010	.020	0.36	0.56	
E	.130	.160	3.30	3.96	
G	.096	.104	2.44	2.64	

* For ammo packing detailed specification, click here to visit our website of product packaging for details.



Micro Commercial Components

Ordering Information :

Device	Packing
Part Number-AP	Ammo Packing: 20Kpcs/Carton
Part Number-BP	Bulk: 100Kpcs/Carton

*****IMPORTANT NOTICE*****

Micro Commercial Components Corp. reserves the right to make changes without further notice to any product herein to make corrections, modifications, enhancements, improvements, or other changes. **Micro Commercial Components Corp.** does not assume any liability arising out of the application or use of any product described herein; neither does it convey any license under its patent rights, nor the rights of others. The user of products in such applications shall assume all risks of such use and will agree to hold **Micro Commercial Components Corp.** and all the companies whose products are represented on our website, harmless against all damages.

*****LIFE SUPPORT*****

MCC's products are not authorized for use as critical components in life support devices or systems without the express written approval of Micro Commercial Components Corporation.

*****CUSTOMER AWARENESS*****

Counterfeiting of semiconductor parts is a growing problem in the industry. Micro Commercial Components (MCC) is taking strong measures to protect ourselves and our customers from the proliferation of counterfeit parts. MCC strongly encourages customers to purchase MCC parts either directly from MCC or from Authorized MCC Distributors who are listed by country on our web page cited below. Products customers buy either from MCC directly or from Authorized MCC Distributors are genuine parts, have full traceability, meet MCC's quality standards for handling and storage. **MCC will not provide any warranty coverage or other assistance for parts bought from Unauthorized Sources.** MCC is committed to combat this global problem and encourage our customers to do their part in stopping this practice by buying direct or from authorized distributors.

www.mccsemi.com