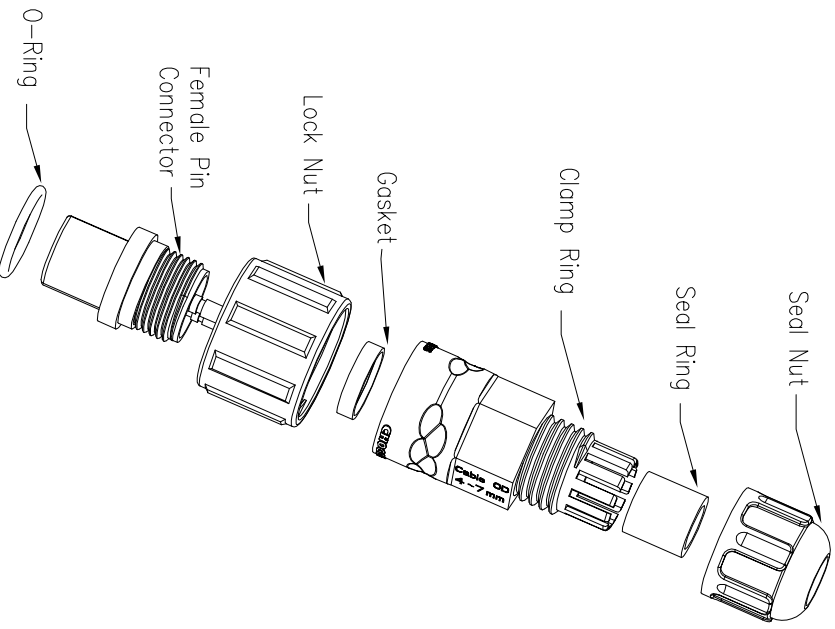
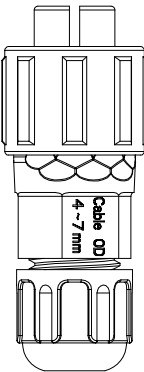
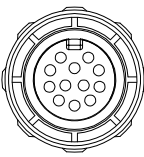
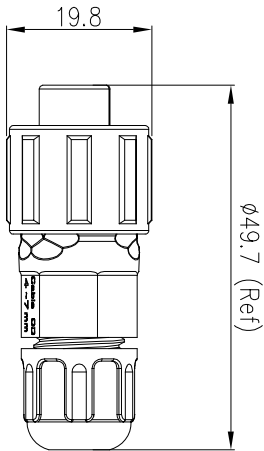
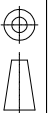


REV.	EN. NO.	DESCRIPTION	SIGN	DATE
C1	N/A	INITIAL DRAWING	Liu	2019/08/13

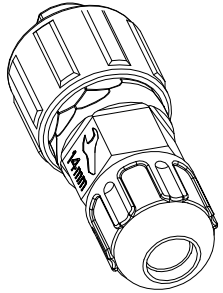


- Specification:
1. Operation Temperature: -45°C~105°C.
 2. Insulation Resistance: 100MΩ at DC500V.
 3. Contact Resistance: <10mΩ
 4. Withstand Voltage: 1000V AC
 5. Operating Current: 2A
 6. Operating Voltage: AC 30V
 7. Waterproof Rate: IP67 (Mated)
 8. Seal Nut: Nylon, Black
 9. Seal Ring: Silicon, Black.
 10. Clamp Ring: Nylon, Black
 11. Gasket: Silicon, Red
 12. Lock Nut: Nylon, Black
 13. Female Pin: Copper Alloy, Gold Plated
 14. Connector: Nylon+GF, Black
 15. O-Ring: Silicon, Red
 16. RoHS Compliant.
 17. Cable Range OD: φ3.5mm~φ6.8mm
 18. Mating Cap: 806-00032-00

22XXXX211-01	Pin Number
10 Pin	12 Pin
P/N: 22010211-01	P/N: 22012211-01
Pin Assignments Front View	



UNIT: mm	DESCRIPTION
TOLERANCE	Standard Series Screw
.X	Male Plug With Female Pin
.XX	SCALE: 1:1
.XXX	SIZE: A4
ANGLES	SHEET: 1 OF 1
	* : Inspection Item



PART NO	22XXXX211-01	DRAWN BY	Liu	DATE	2019/08/13
DWG NO		CHECKED BY	Mo	DATE	2019/08/13
CUSTOMER		APPROVED BY	Panson	DATE	2019/08/13

CHOGORI