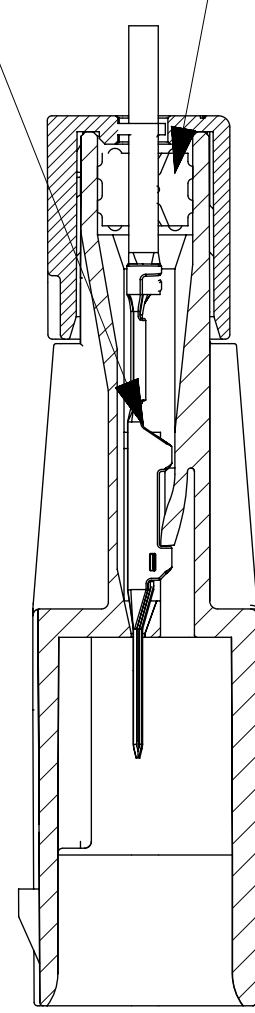


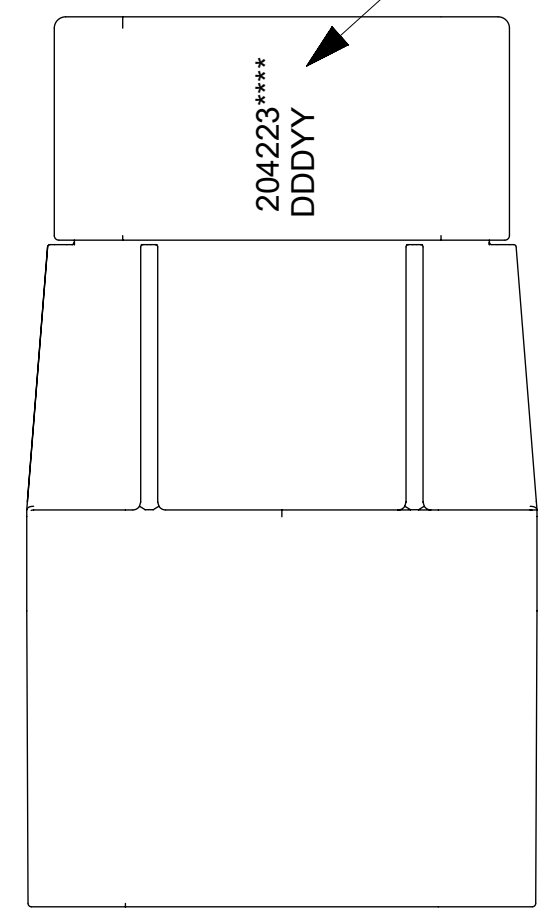
TERMINAL SHOWN INSERTED INTO HOUSING FOR REF ONLY

MATTE SEAL

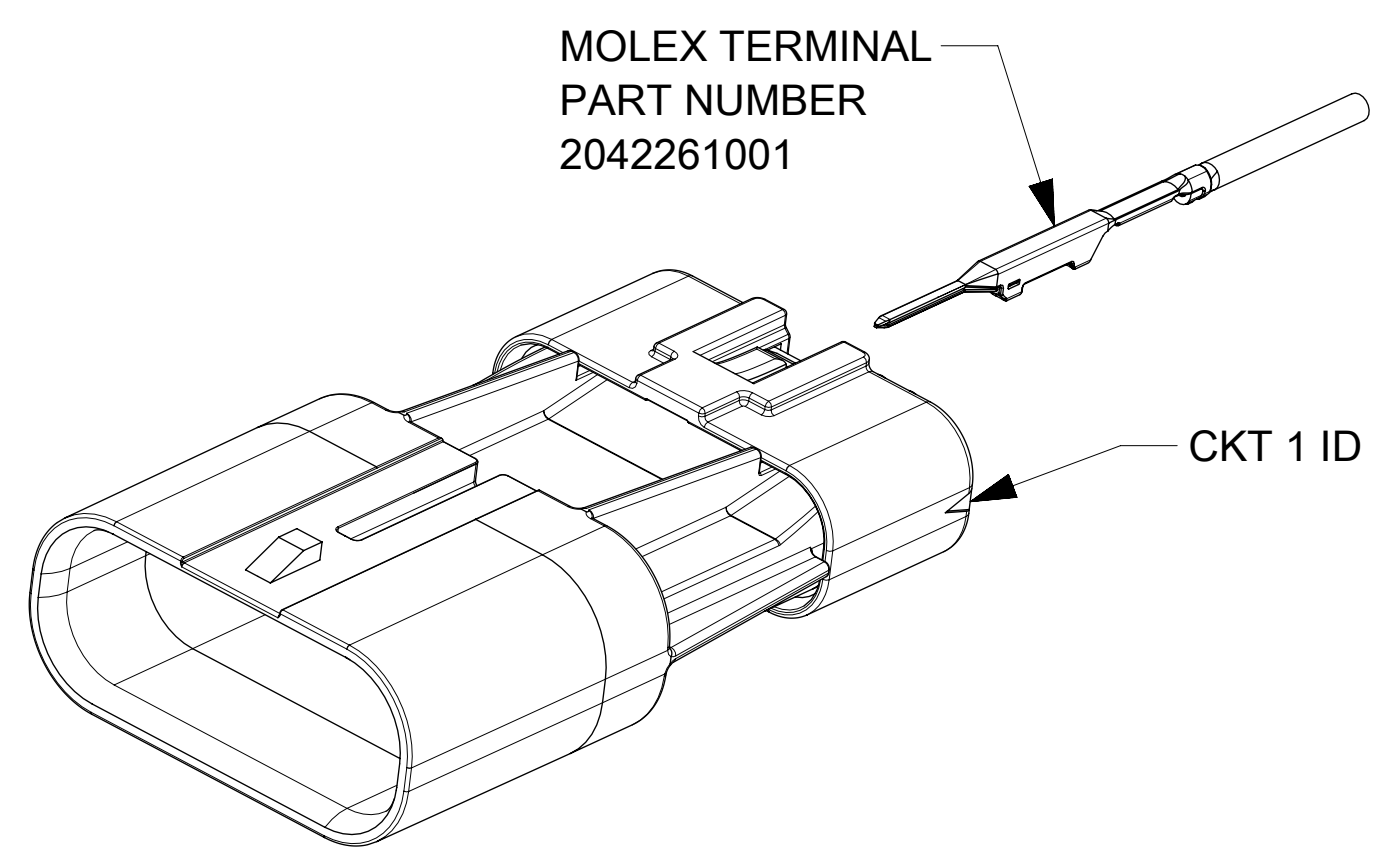
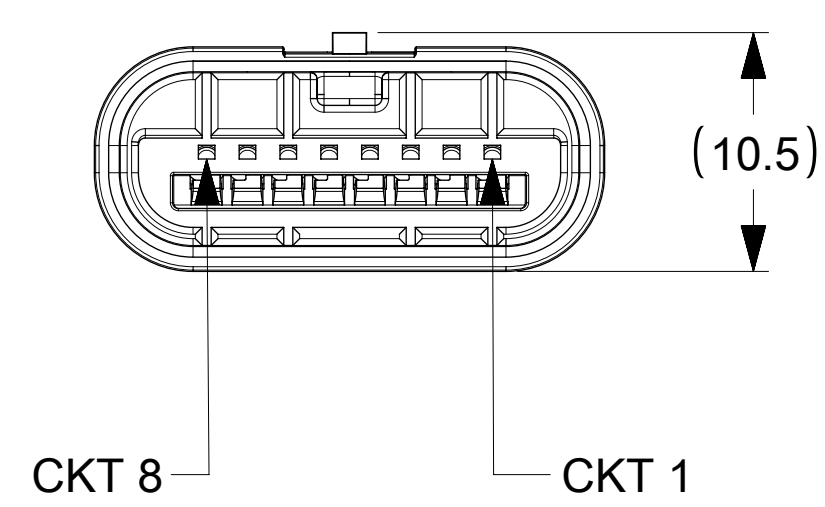
LASER MARKED THIS SURFACE WITH MOLEX PART NUMBER AND JULIAN DATE CODE: DDDYY



SECTION A-A



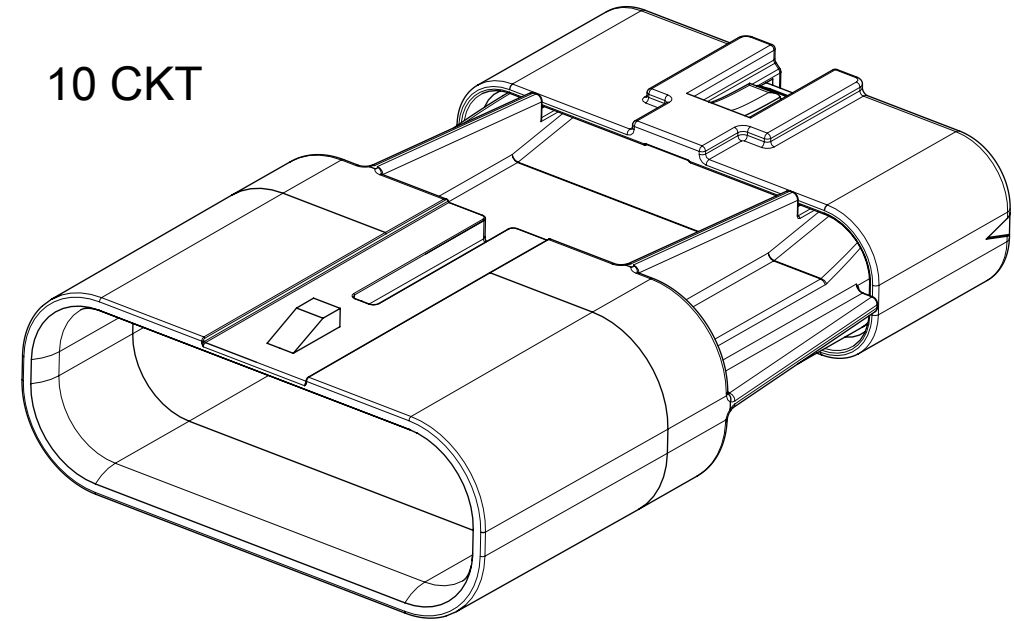
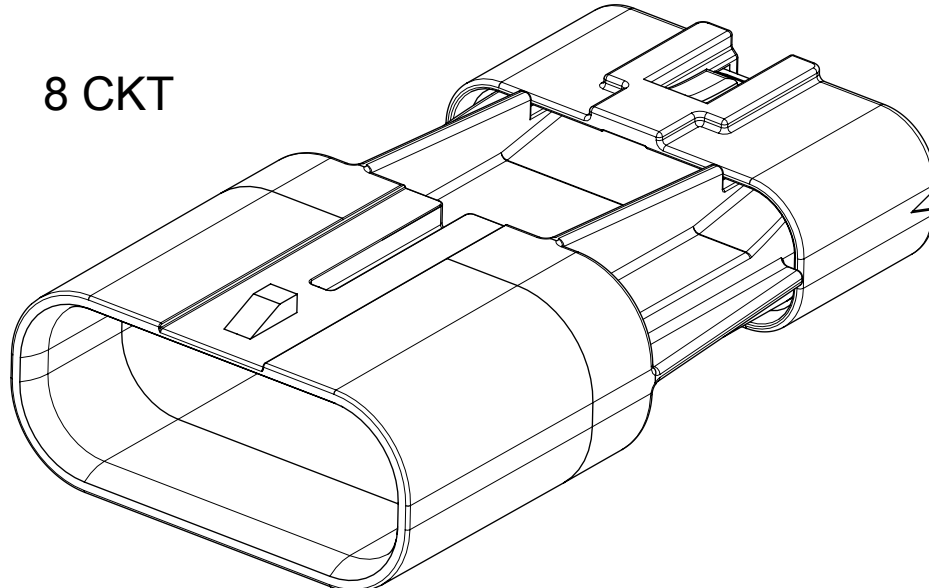
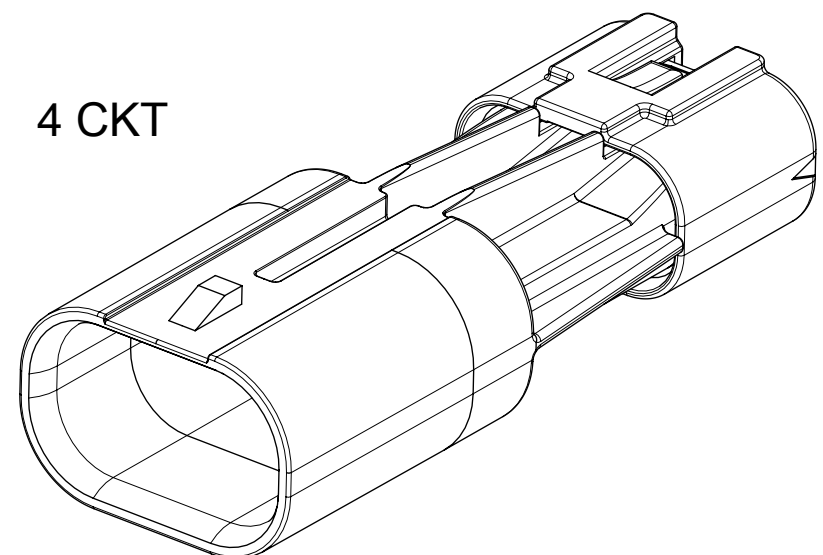
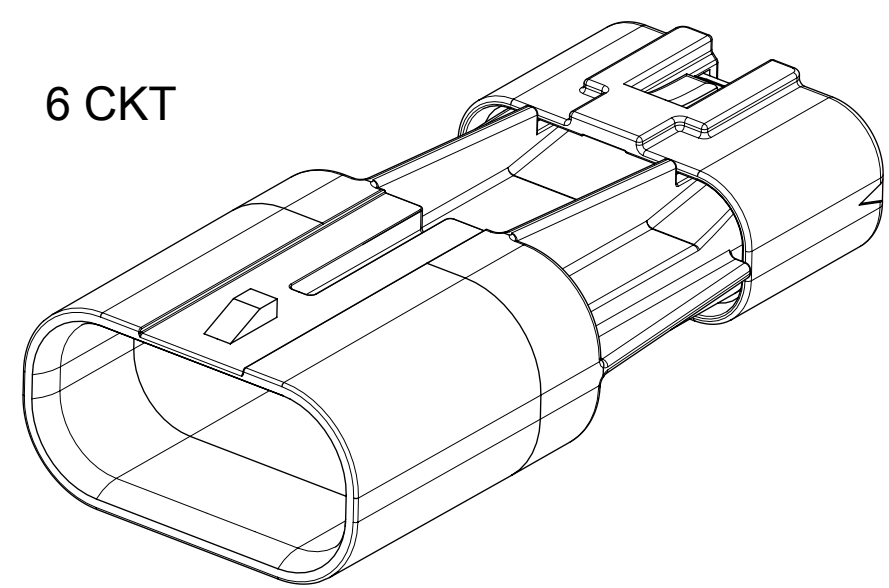
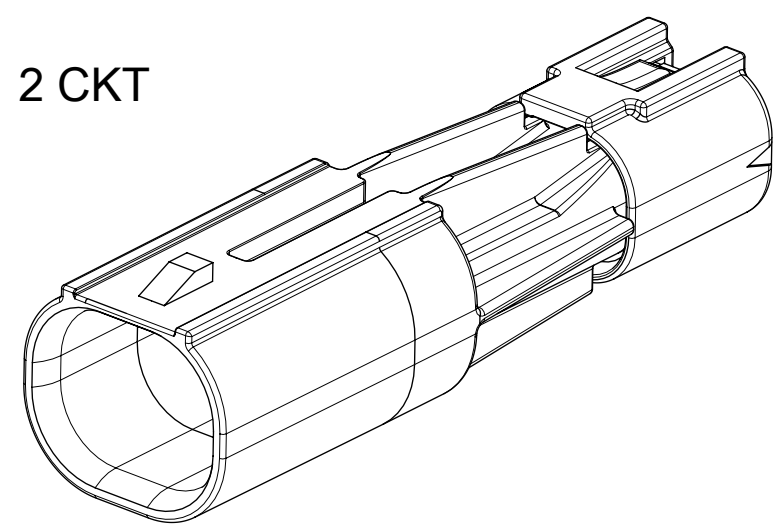
- NOTES:
1. MATERIAL:  
HOUSING & REAR SEAL CAP: NYLON, UL94V-0, BLACK  
SEALS: INHERENTLY LUBRICATED SILICONE
  2. FINISH: NONE
  3. PRODUCT SPECIFICATION: 2042200000-PS
  4. APPLICATION SPECIFICATION: 2042200000-AS
  5. PACKAGING SPECIFICATION: 2042230000-PK, 2042230100-PK
  6. THIS PART MATES WITH RECEPTACLE SERIES 204220.
  7. THIS PART USES TERMINAL PART NUMBER 2042261001.
  8. THIS PART CONFORMS TO CLASS 'C' REQUIREMENTS OF COSMETIC SPECIFICATION PS-45499-002.
  9. VOIDED CIRCUITS HAVE A PLUG IN THE MATTE SEAL TO SEAL THE CIRCUIT AND WILL NOT ACCEPT TERMINALS.
  10. THE 7MM CLIP SLOT CONFORMS TO EWCAP-005 REV D



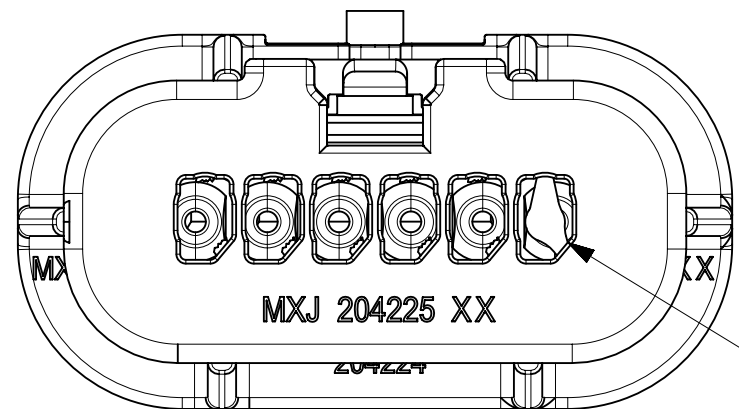
CIRCUIT SIZE	DIM A
2	11.7
4	15.3
6	18.9
8	22.5
10	26.1

THIS DRAWING CONTAINS INFORMATION THAT IS PROPRIETARY TO MOLEX ELECTRONIC TECHNOLOGIES, LLC AND SHOULD NOT BE USED WITHOUT WRITTEN PERMISSION									
FUNCTIONAL SYMBOLS	DIMENSION UNITS	SCALE	CURRENT REV DESC:						
$\nabla_A = 0$	mm	3:1	EC NO: 724638 DRWN: VENKAS5 2022/10/13 CHK'D: VENKAS5 2022/10/13 APPR: MRAMAKRISHNA 2022/10/19 INITIAL REVISION: DRWN: TGREGORI 2017/05/03 APPR: RHODGE 2018/01/26						
$\nabla_C = 0$	GENERAL TOLERANCES (UNLESS SPECIFIED)								
$\nabla_P = 0$	ANGULAR TOL $\pm$ °								
DIVISIONAL SYMBOLS	4 PLACES $\pm$		PRODUCT CUSTOMER DRAWING						
	3 PLACES $\pm$		DOCUMENT NUMBER						
	2 PLACES $\pm$		2042230000-SD						
	1 PLACE $\pm$ 0.2		DOC TYPE				DOC PART		REVISION
	0 PLACES $\pm$		PSD		000		B1		
DRAFT WHERE APPLICABLE MUST REMAIN WITHIN DIMENSIONS		THIRD ANGLE PROJECTION	DRAWING	SERIES	MATERIAL NUMBER	CUSTOMER	SHEET NUMBER		
			C-SIZE	204223	SEE TABLE	GENERAL MARKET	1 OF 3		

CIRCUIT SIZE	MATERIAL NUMBER	VOIDED CIRCUIT SEE NOTE 9	CLIP SLOT VERSION
2	204223-0002	NONE	NO
4	204223-0004	NONE	NO
6	204223-0006	NONE	NO
8	204223-0008	NONE	NO
10	204223-0010	NONE	NO
2	204223-9902	ALL CIRCUITS VOIDED	NO
4	204223-9904	ALL CIRCUITS VOIDED	NO
6	204223-9906	ALL CIRCUITS VOIDED	NO
8	204223-9908	ALL CIRCUITS VOIDED	NO
10	204223-9910	ALL CIRCUITS VOIDED	NO
4	204223-4004	4	NO
6	204223-6006	6	NO
8	204223-8008	8	NO
10	204223-1110	10	NO
8	204223-9808	1,2,5,6	NO
8	204223-9708	5	NO
8	204223-9608	3,6	NO
2	204223-0102	NONE	YES
4	204223-0104	NONE	YES
6	204223-0106	NONE	YES
8	204223-0108	NONE	YES
10	204223-0110	NONE	YES



AVAILABLE CIRCUIT SIZES

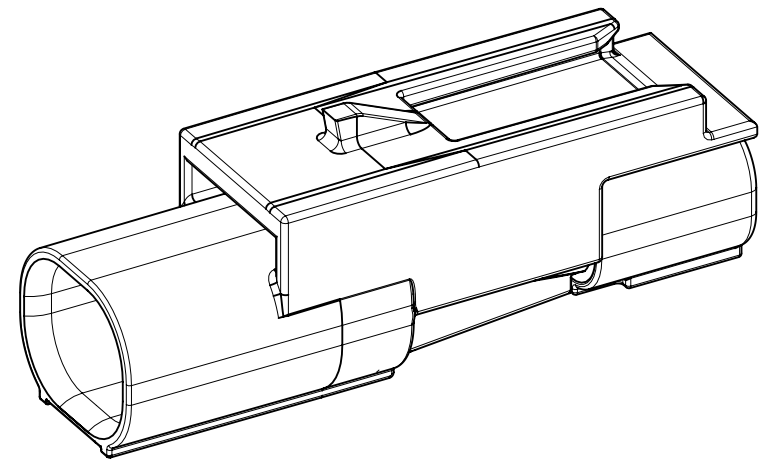


VOIDED CIRCUIT(S)  
HAVE PLUG(S) PRESENT  
SEE NOTE 9

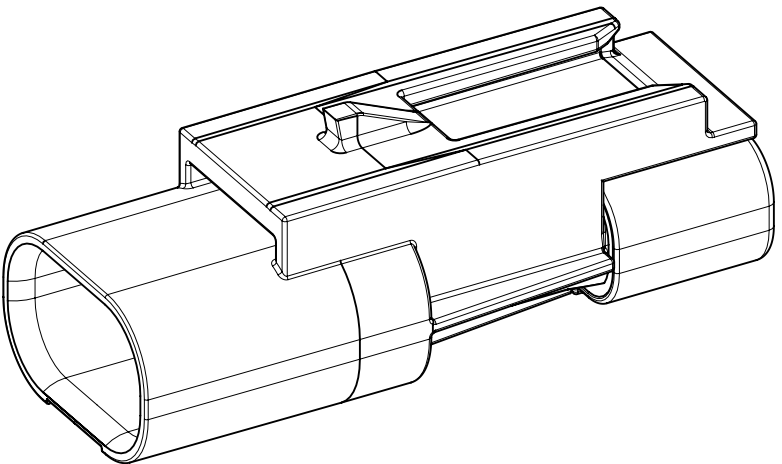
FUNCTIONAL SYMBOLS	THIS DRAWING CONTAINS INFORMATION THAT IS PROPRIETARY TO MOLEX ELECTRONIC TECHNOLOGIES, LLC AND SHOULD NOT BE USED WITHOUT WRITTEN PERMISSION		CURRENT REV DESC:						
	DIMENSION UNITS	SCALE							PLUG ASSEMBLY SQUBA 1.8
$\nabla_A = 0$	mm	3:1	EC NO: 724638		PRODUCT CUSTOMER DRAWING				
$\nabla_C = 0$	GENERAL TOLERANCES (UNLESS SPECIFIED)		DRWN: VENKAS5		DOCUMENT NUMBER				
$\nabla_P = 0$	ANGULAR TOL ± °		CHK'D: VENKAS5		2042230000-SD				
DIVISIONAL SYMBOLS	4 PLACES ±		APPR: MRAMAKRISHNA		DOC TYPE   DOC PART   REVISION				
	3 PLACES ±		INITIAL REVISION:		PSD   000   B1				
	2 PLACES ±		DRWN: TGREGORI		MATERIAL NUMBER   CUSTOMER				
1 PLACE ± 0.2		APPR: RHODGE		2017/05/03		GENERAL MARKET		SHEET NUMBER	
0 PLACES ±		DRAFT WHERE APPLICABLE MUST REMAIN WITHIN DIMENSIONS		2018/01/26		SEE TABLE		2 OF 3	
		THIRD ANGLE PROJECTION		DRAWING		SERIES			
				C-SIZE		204223			

CONFIGURATIONS  
SCALE : 3:1

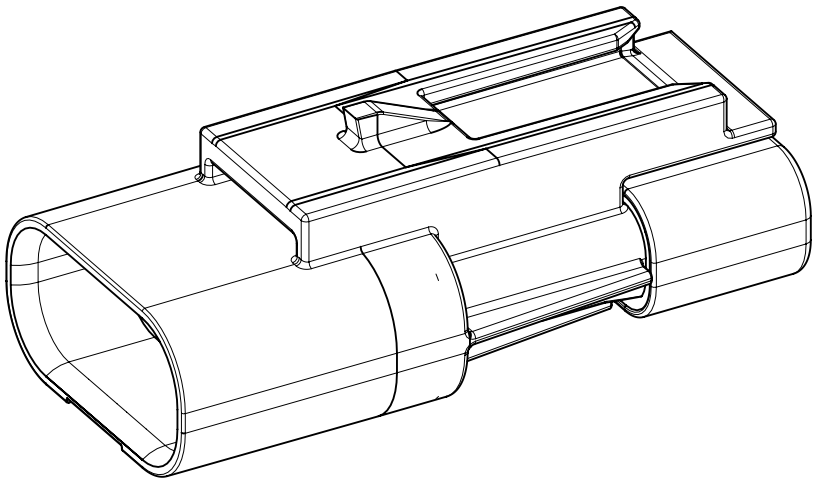
CIRCUIT SIZE	DIM A
2	11.7
4	15.3
6	18.9
8	22.5
10	26.1



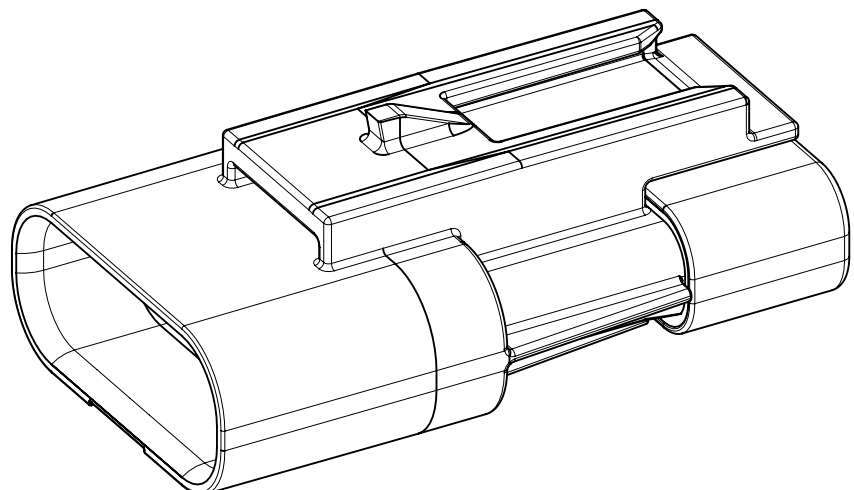
2 CIRCUIT



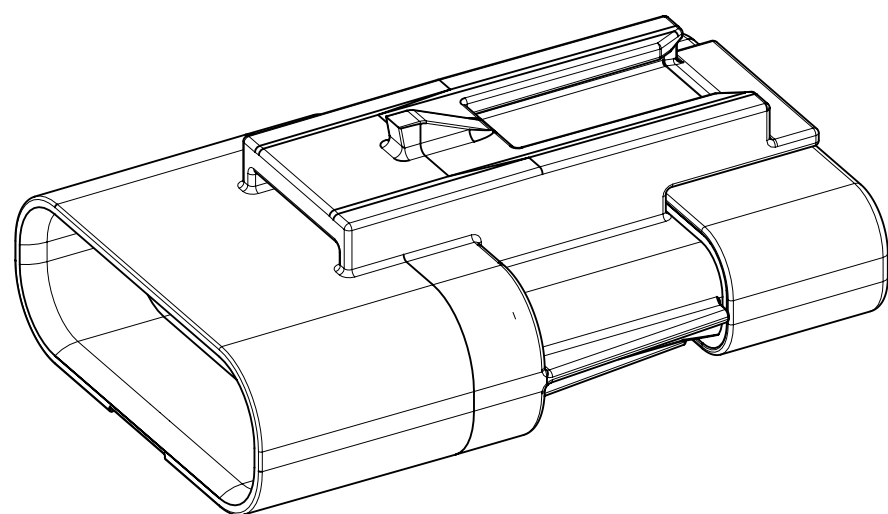
4 CIRCUIT



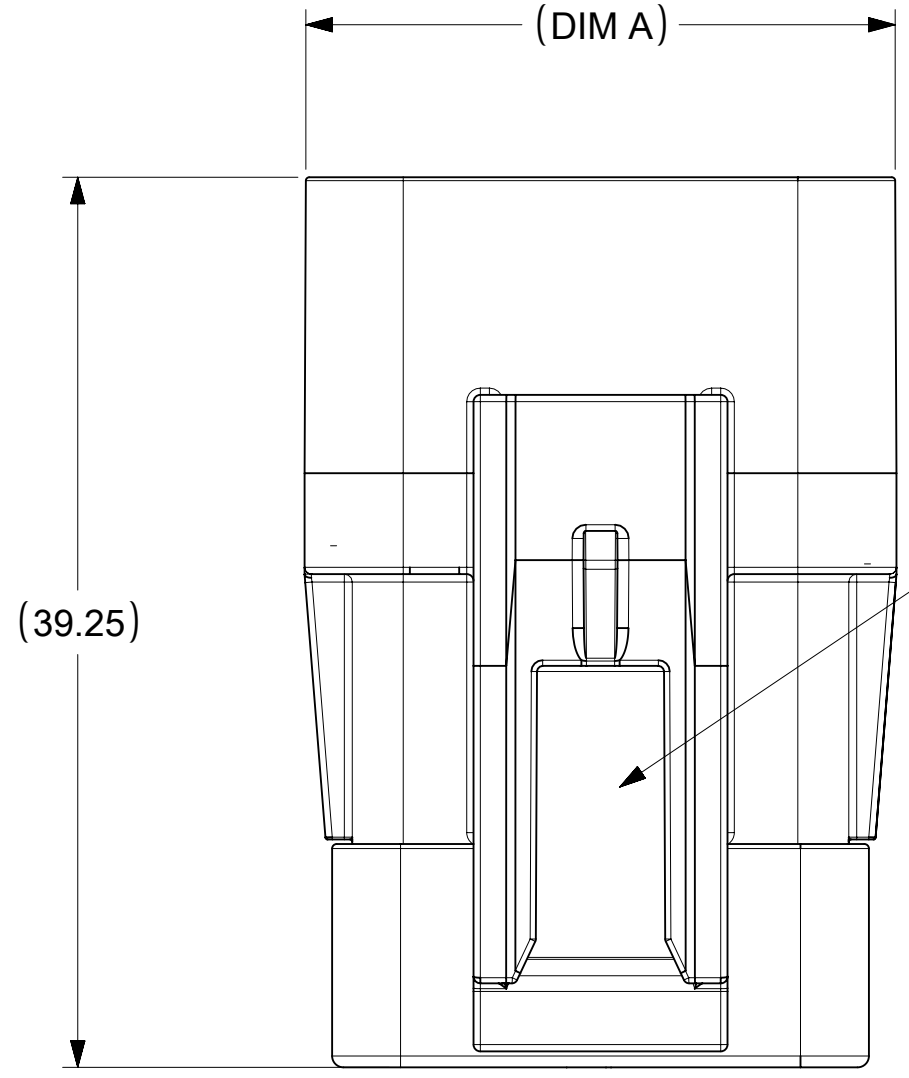
6 CIRCUIT



8 CIRCUIT

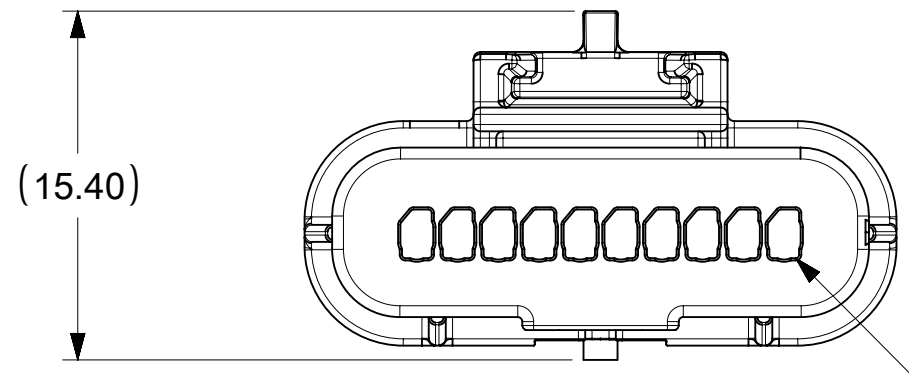


10 CIRCUIT

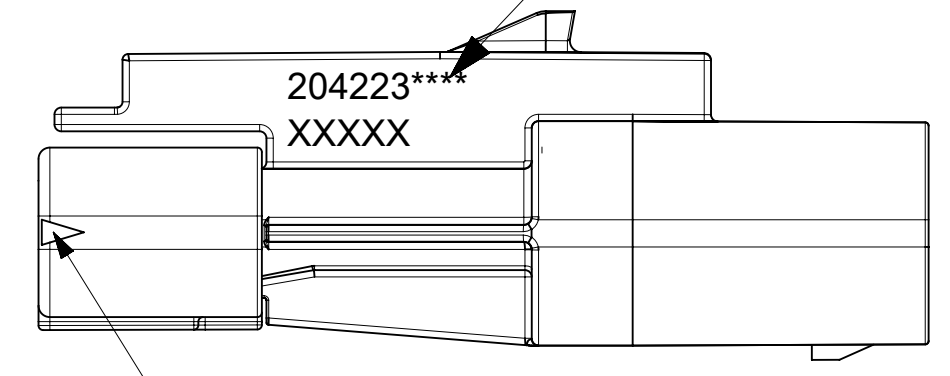


EWCAP-005 7MM CLIP SLOT

LASER MARKED THIS SURFACE WITH MOLEX PART NUMBER AND JULIAN DATE CODE: DDDYY



CKT 1



CKT 1 ID

FUNCTIONAL SYMBOLS	THIS DRAWING CONTAINS INFORMATION THAT IS PROPRIETARY TO MOLEX ELECTRONIC TECHNOLOGIES, LLC AND SHOULD NOT BE USED WITHOUT WRITTEN PERMISSION									
	DIMENSION UNITS	SCALE	CURRENT REV DESC:							
$\nabla_A = 0$	mm	3:1	EC NO: 724638							
$\nabla_C = 0$	GENERAL TOLERANCES (UNLESS SPECIFIED)		DRWN: VENKAS5 2022/10/13							
$\nabla_P = 0$	ANGULAR TOL ± °		CHK'D: VENKAS5 2022/10/13							
DIVISIONAL SYMBOLS	4 PLACES ±	APPR: MRAMAKRISHNA 2022/10/19								
	3 PLACES ±	INITIAL REVISION:								
	2 PLACES ±	DRWN: TGREGORI 2017/05/03								
	1 PLACE ± 0.2	APPR: RHODGE 2018/01/26								
0 PLACES ±	DRAFT WHERE APPLICABLE MUST REMAIN WITHIN DIMENSIONS		THIRD ANGLE PROJECTION	DRAWING	SERIES	MATERIAL NUMBER	CUSTOMER	SHEET NUMBER		
				C-SIZE	204223	SEE TABLE	GENERAL MARKET	3 OF 3		

				PLUG ASSEMBLY			
				SQUBA 1.8			
PRODUCT CUSTOMER DRAWING				DOCUMENT NUMBER	DOC TYPE	DOC PART	REVISION
				2042230000-SD	PSD	000	B1