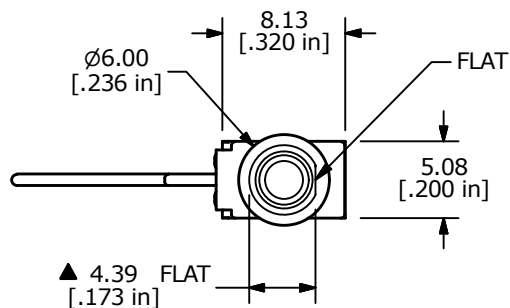
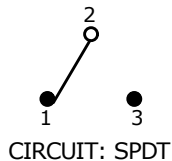
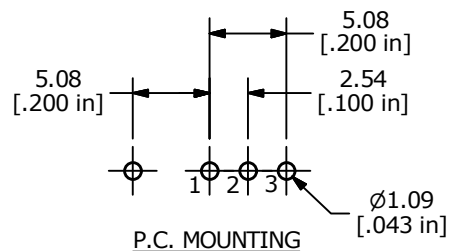


PANEL MOUNTING



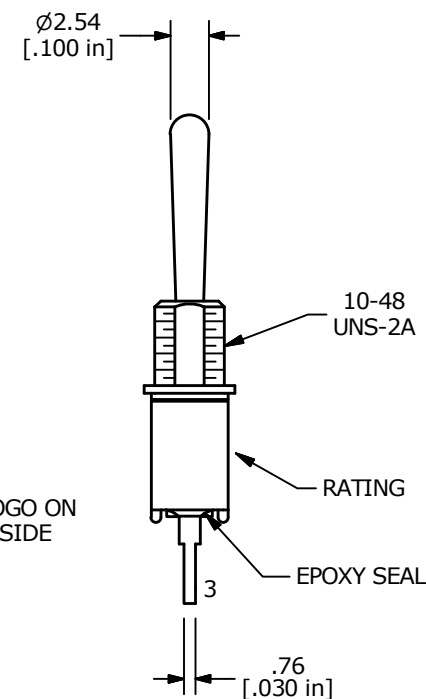
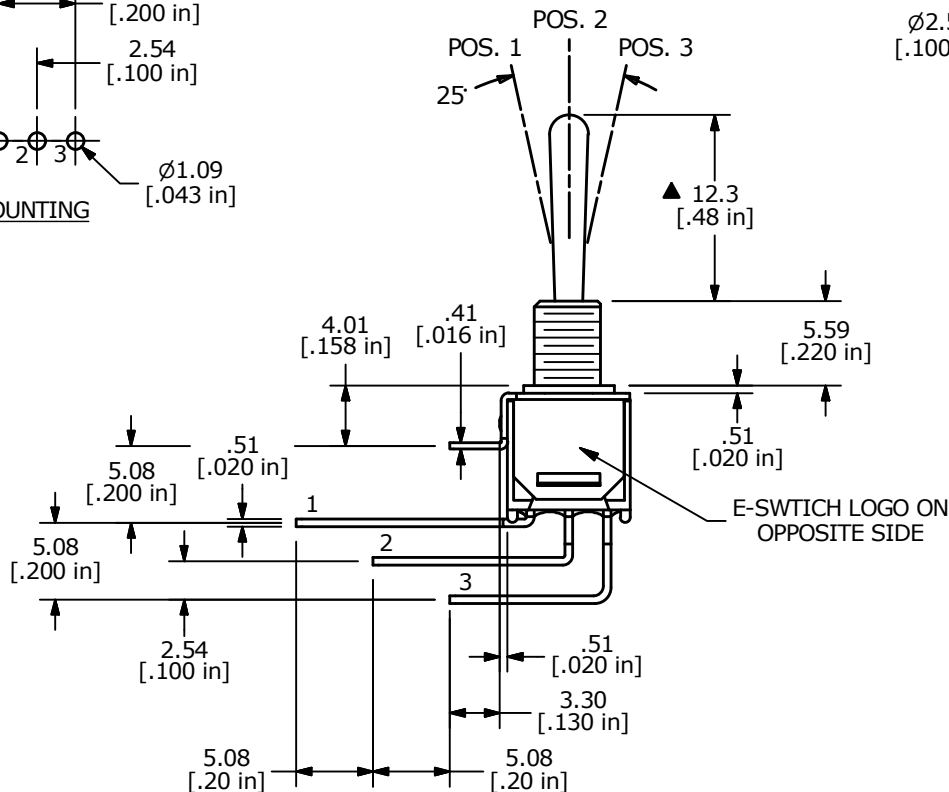
▲ SWITCH FUNCTION		
POS. 1	POS. 2	POS. 3
ON	OFF	(ON)
2-3	OPEN	2-1

(ON) = MOMENTARY



NOTE:

- ALL DIMENSIONS IN MM [INCH]
- GENERAL TOLERANCE: X.X = ±0.4
X.XX = ±0.25
- TERMINAL NUMBERS FOR REF ONLY
- CONTACT MATERIAL: SILVER
- ▲ RATING: 3A @ 120VAC OR 28VDC
1A @ 250VAC
- LIFE EXPECTANCY: 30,000 MAKE-AND-BREAK CYCLES AT FULL LOAD
- INSULATION RESISTANCE: 1,000 MEGA-OHM MIN.
- DIELECTRIC STRENGTH: 1,000 V RMS @SEA LEVEL.
- OPERATING TEMP.: -30°C to 85°C
- 2011/65/EU (ROHS) COMPLIANT
- ▲ DENOTES CRITICAL PARAMETER.



B	23378	drawing update, correct Switch Function	5/25/18	MW
A	17908	RELEASED FOR PRODUCTION	12/27/08	BLR
REV	PCR NO	DESCRIPTION	DATE	BY

TITLE 200MSP5T4B1M7QE				
SCALE 2:1	DATE 1/2/2008	DR BLR	DWG T211108	REV B

THE INFORMATION CONTAINED IN THIS DOCUMENT IS PROPRIETARY TO E-SWITCH AND IS NOT TO BE COPIED OR TRANSFERRED