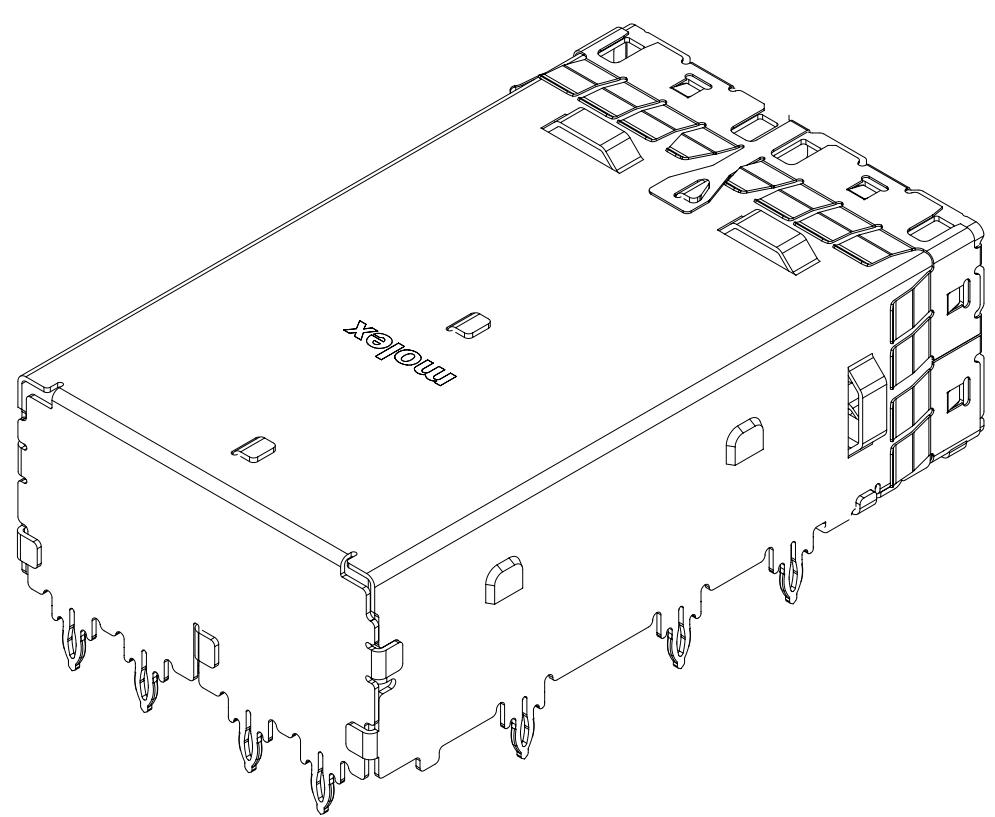
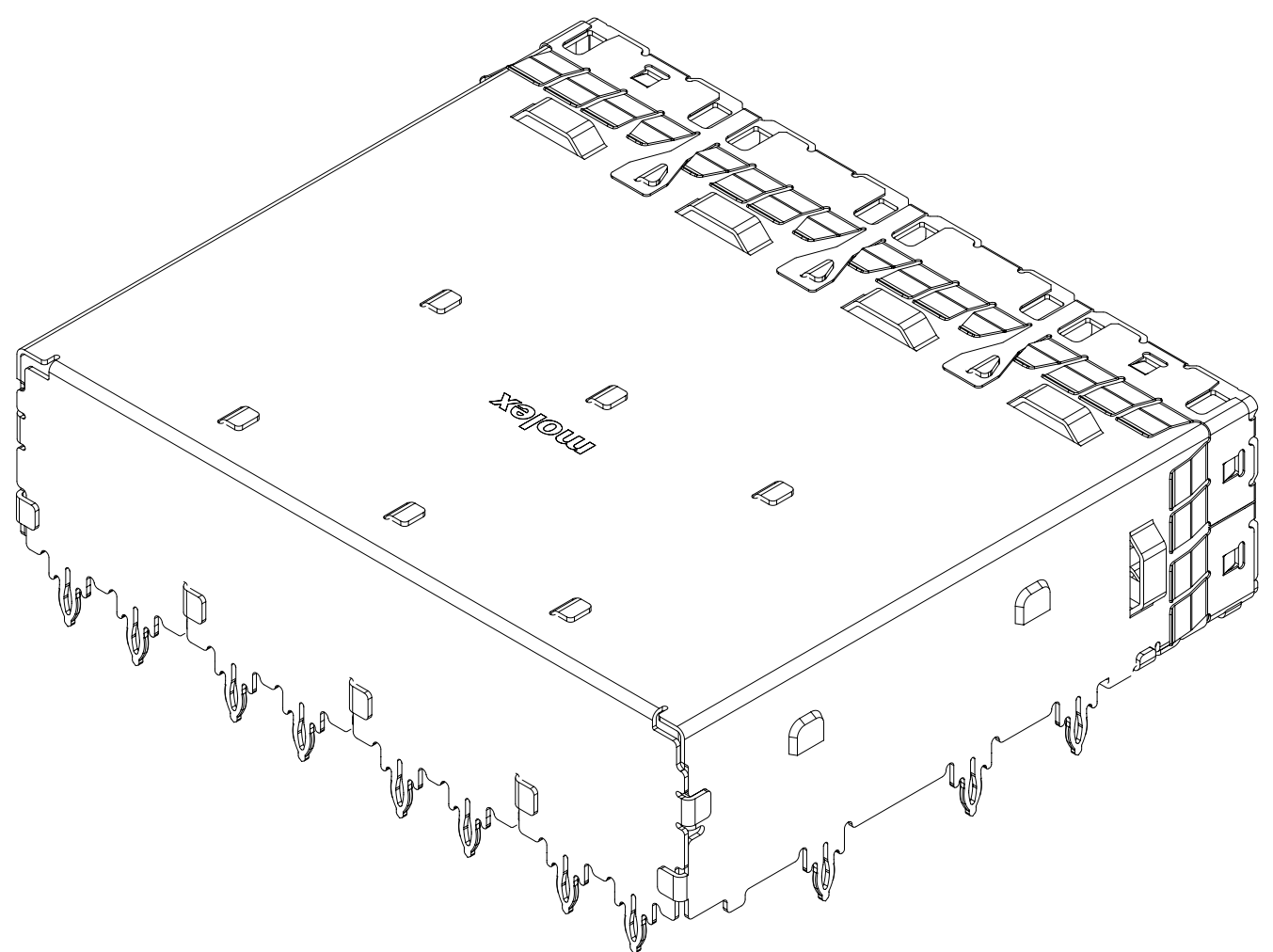


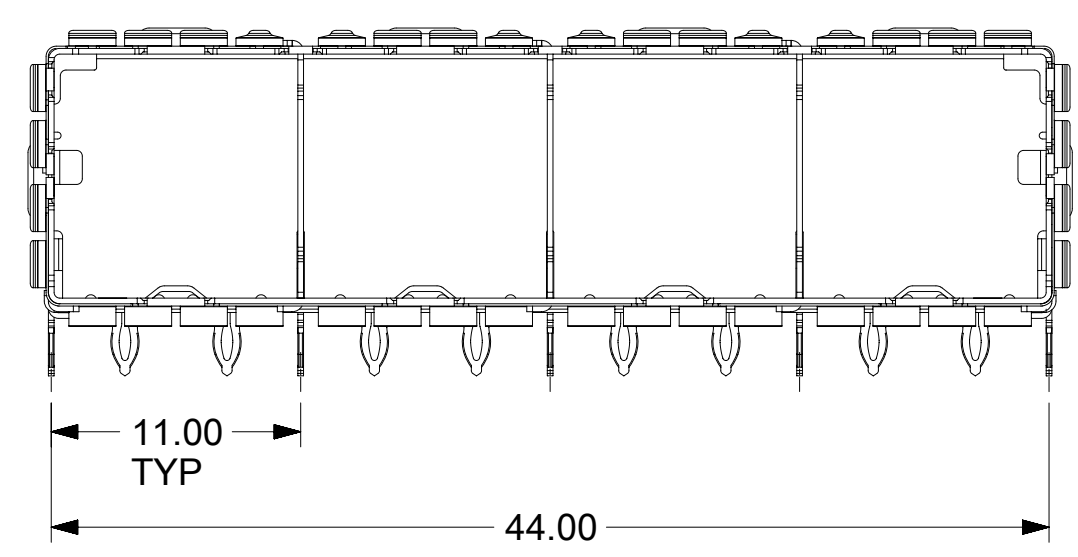
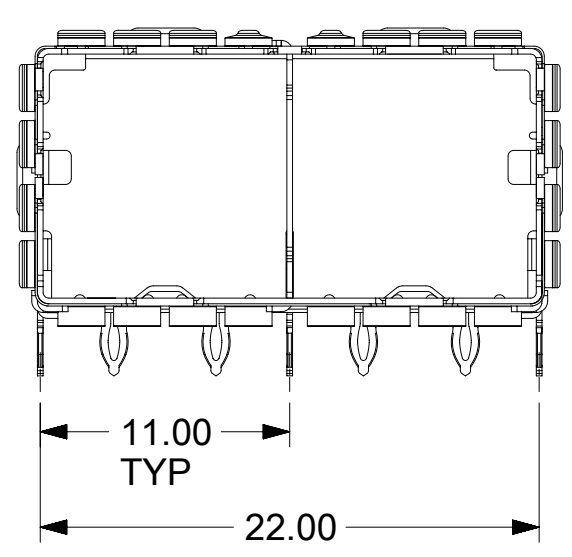
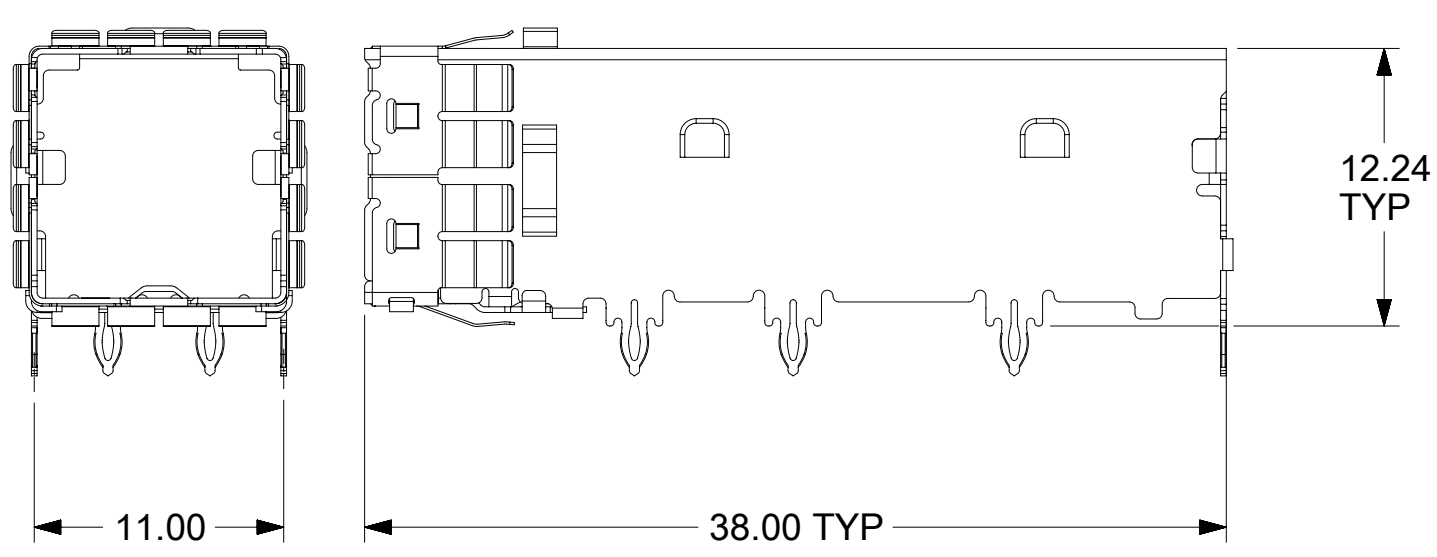
1X1



1X2



1X4



- NOTES:
- MATERIALS:
EMI CAGE: STAINLESS STEEL
EMI FINGERS: COPPER ALLOY
 - FINISHES:
EMI FINGERS: 0.50µM MIN NICKEL
 - FOR FOOTPRINT AND ASSEMBLY INFORMATION REFER TO SALES DRAWING: PDD 1724731111
 - MOUNTING INFORMATION REFER TO APPLICATION SPECIFICATION 1724730001
 - PACKAGING SPECIFICATION: PDD 1724738000
 - THIS PART CONFORMS TO CLASS C REQUIREMENTS OF MOLEX COSMETIC SPECIFICATION PS-45499-002

CONFIGURATION	MATERIAL NUMBER
1X1	1724735001
1X2	1724735002
1X4	1724735004

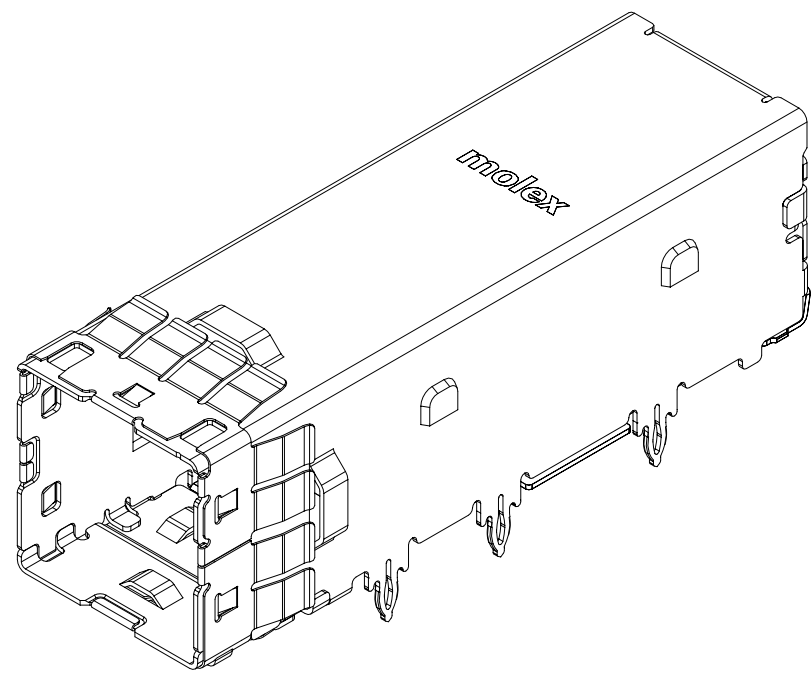
THIS DRAWING CONTAINS INFORMATION THAT IS PROPRIETARY TO MOLEX ELECTRONIC TECHNOLOGIES, LLC AND SHOULD NOT BE USED WITHOUT WRITTEN PERMISSION									
SYMBOLS		DIMENSION UNITS		SCALE		CURRENT REV DESC:			
▽ = 0	= 0	mm	3:1			EC NO: 178504			
▽ = 0	= 0	GENERAL TOLERANCES (UNLESS SPECIFIED)				DRWN: AKOLAK 2018/06/28			
▽ = 0	= 0	ANGULAR TOL ± 1.0°				CHK'D: TMCLELLAND 2018/06/28			
▽ = 0	= 0	4 PLACES ±				APPR: TMCLELLAND 2018/06/28			
▽ = 0	= 0	3 PLACES ± 0.1				INITIAL REVISION:			
▽ = 0	= 0	2 PLACES ± 0.15				DRWN: AKOLAK 2018/04/10		2018/06/27	
▽ = 0	= 0	1 PLACE ± 0.25				APPR: TMCLELLAND 2018/06/27			
▽ = 0	= 0	0 PLACES ±				THIRD ANGLE PROJECTION		DRAWING SERIES	
▽ = 0	= 0	DRAFT WHERE APPLICABLE MUST REMAIN WITHIN DIMENSIONS				C-SIZE 172473		MATERIAL NUMBER CUSTOMER SHEET NUMBER	
								1724730012 PSD 000 A1	
								SEE TABLE GENERAL MARKET 1 OF 1	



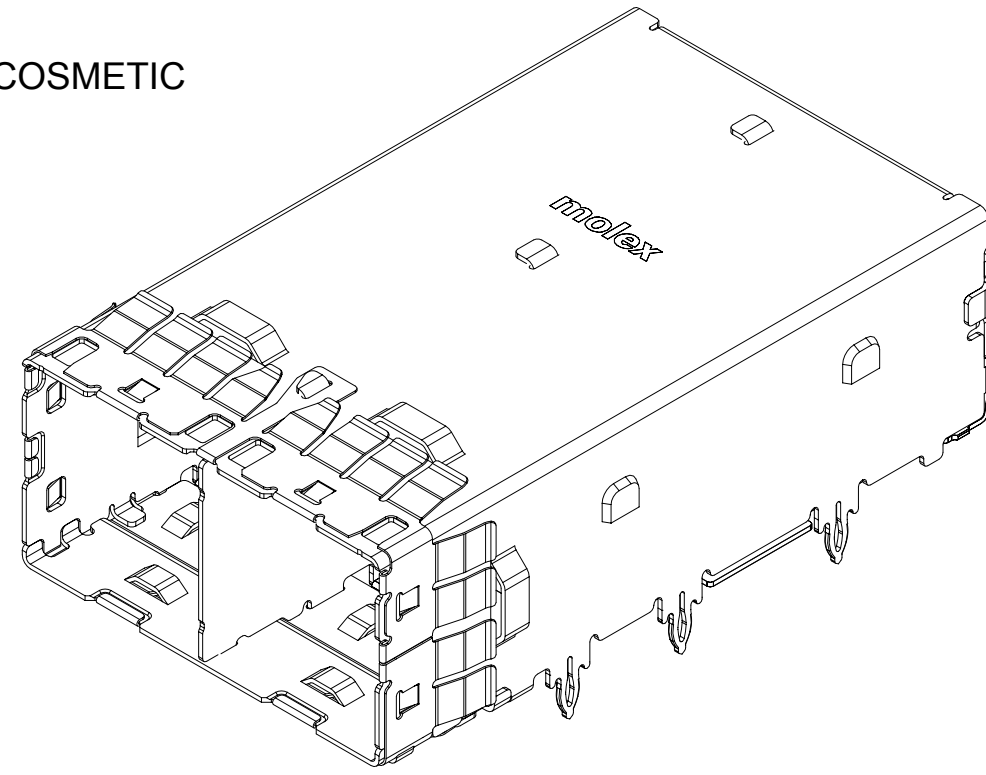
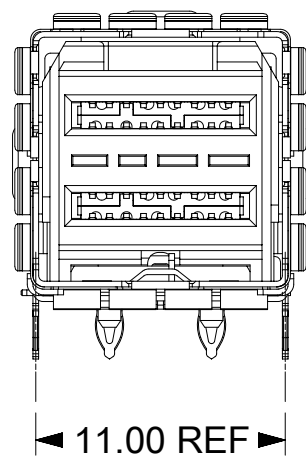
IPASS ZHD RA SMT EXTERNAL CAGE SD

PRODUCT CUSTOMER DRAWING

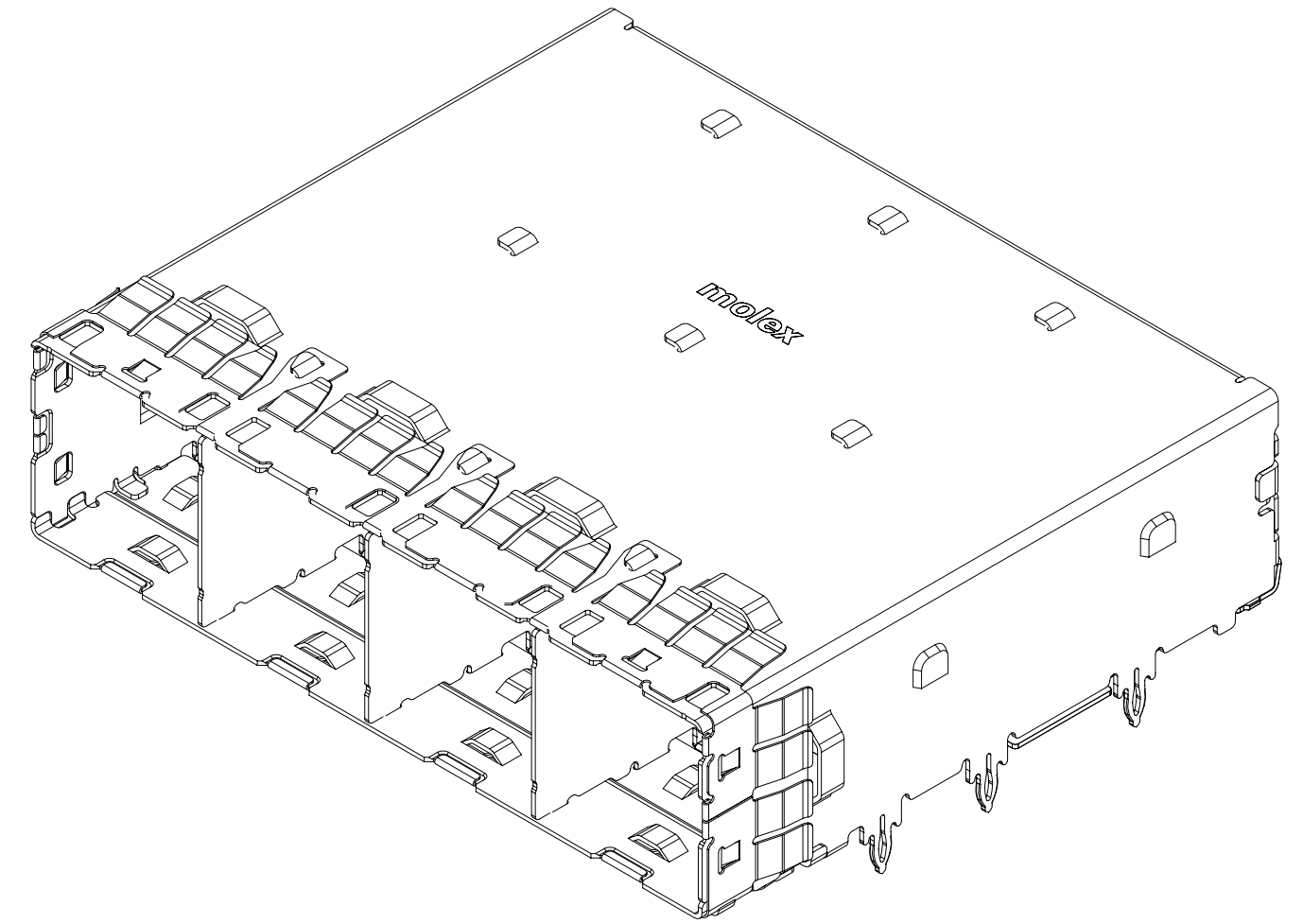
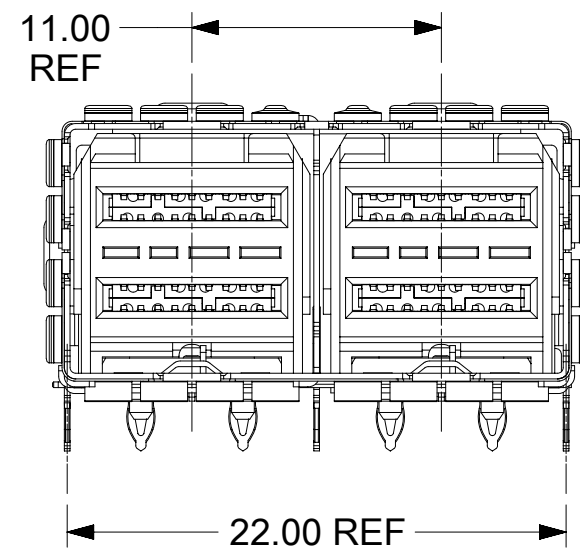
- NOTES:
1. FOR 2 PEG CONNECTOR DETAILS REFER TO SALES DRAWING: PSD 1724730011
 2. FOR 3 PEG CONNECTOR DETAILS REFER TO SALES DRAWING: PSD 1724739995
 3. FOR CAGE DETAILS REFER TO SALES DRAWING: PSD 1724730012
 4. PRODUCT SPECIFICATION: 1724730011
 5. MOUNTING INFORMATION: REFER TO APPLICATION SPECIFICATION: 1724730001
 6. MATES WITH: MOLEX CABLE SERIES 111068, 111073, 111074, & 111075
 7. PLUG MODULE PCB LAYOUT REFER TO SD-76866-9900
 8. THIS PART CONFORMS TO CLASS C REQUIREMENTS OF MOLEX COSMETIC SPECIFICATION PS-45499-002



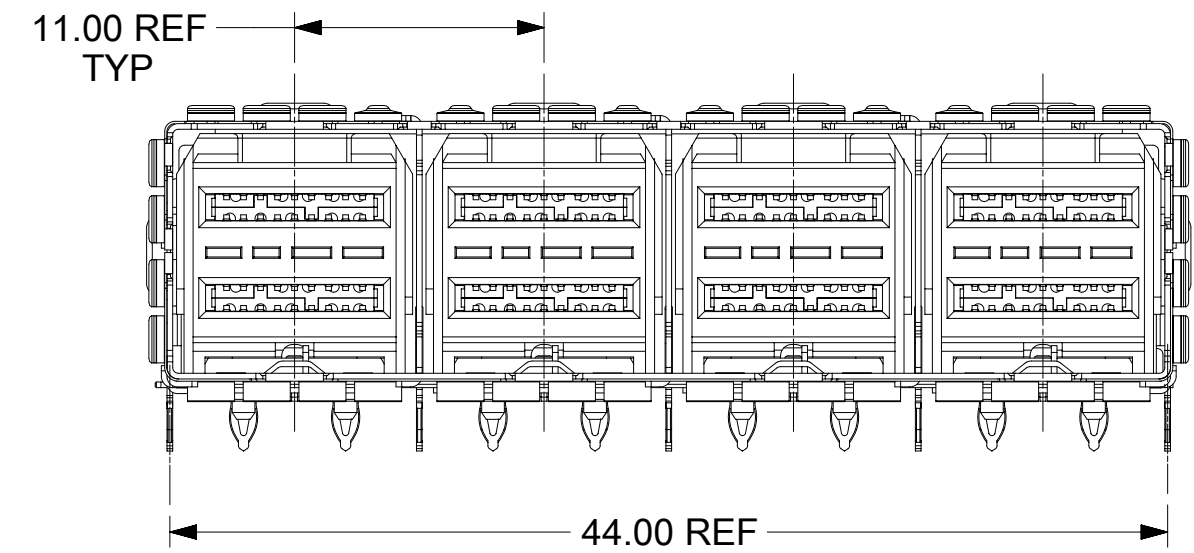
1 X 1



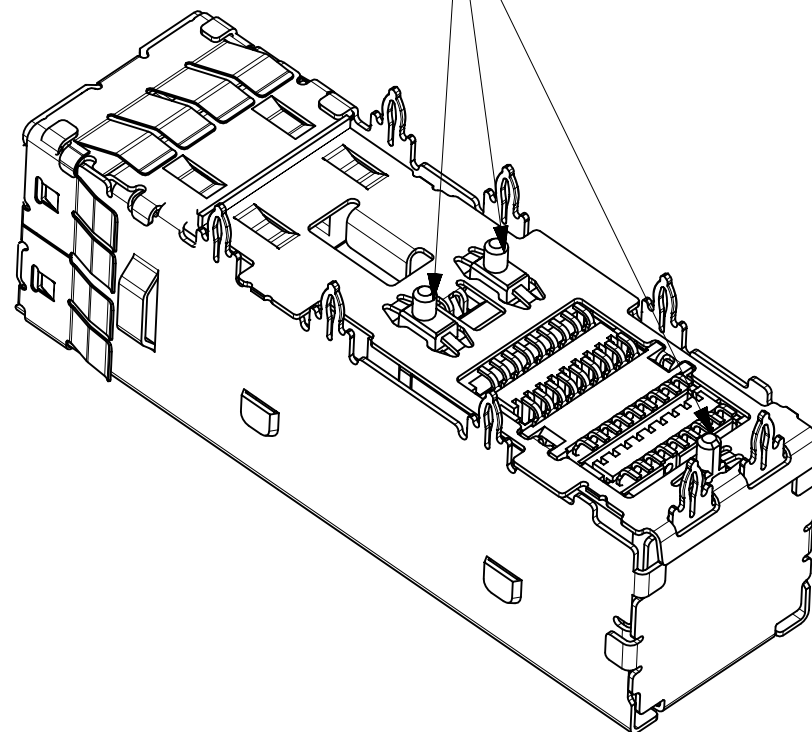
1 X 2



1 X 4

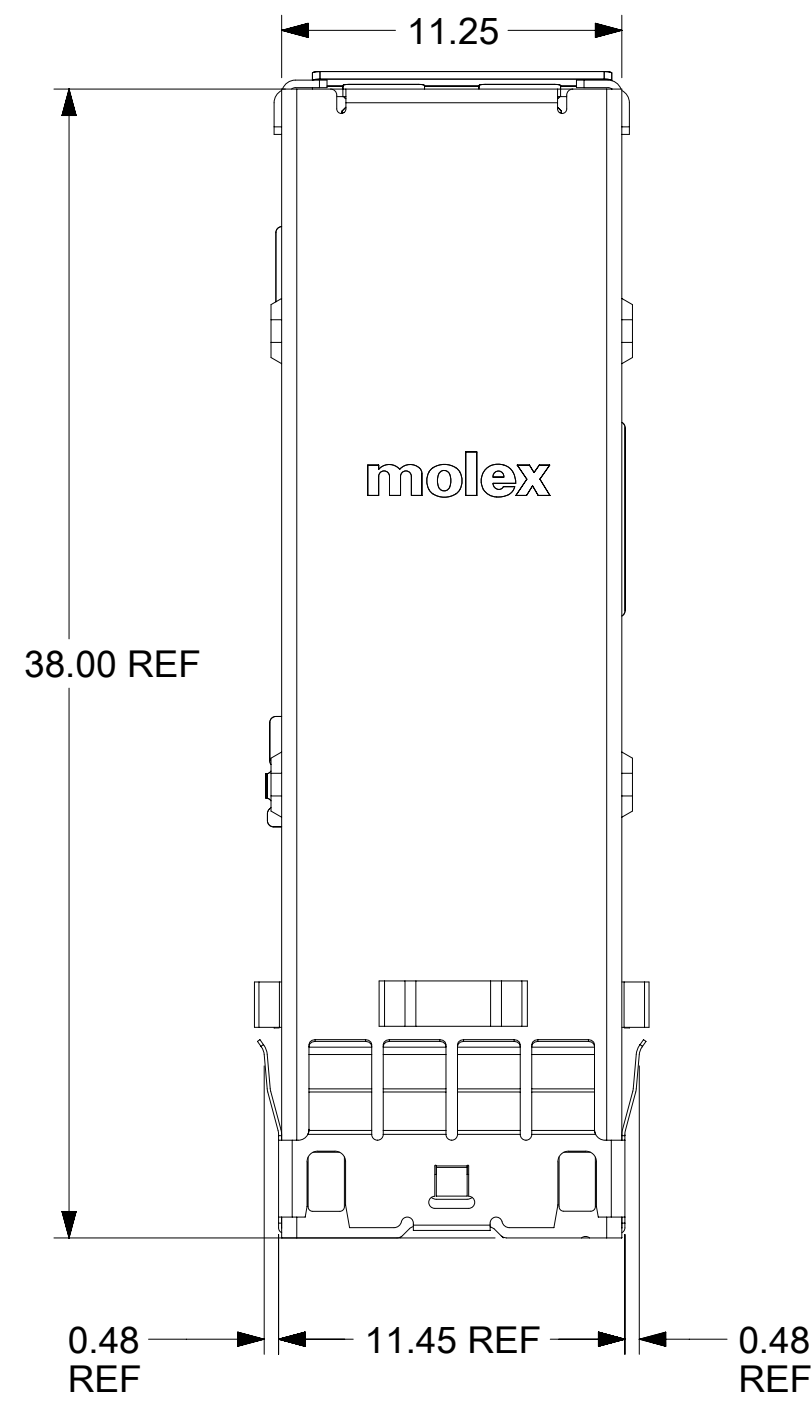


1724739995 CONNECTOR WITH 3 PEG

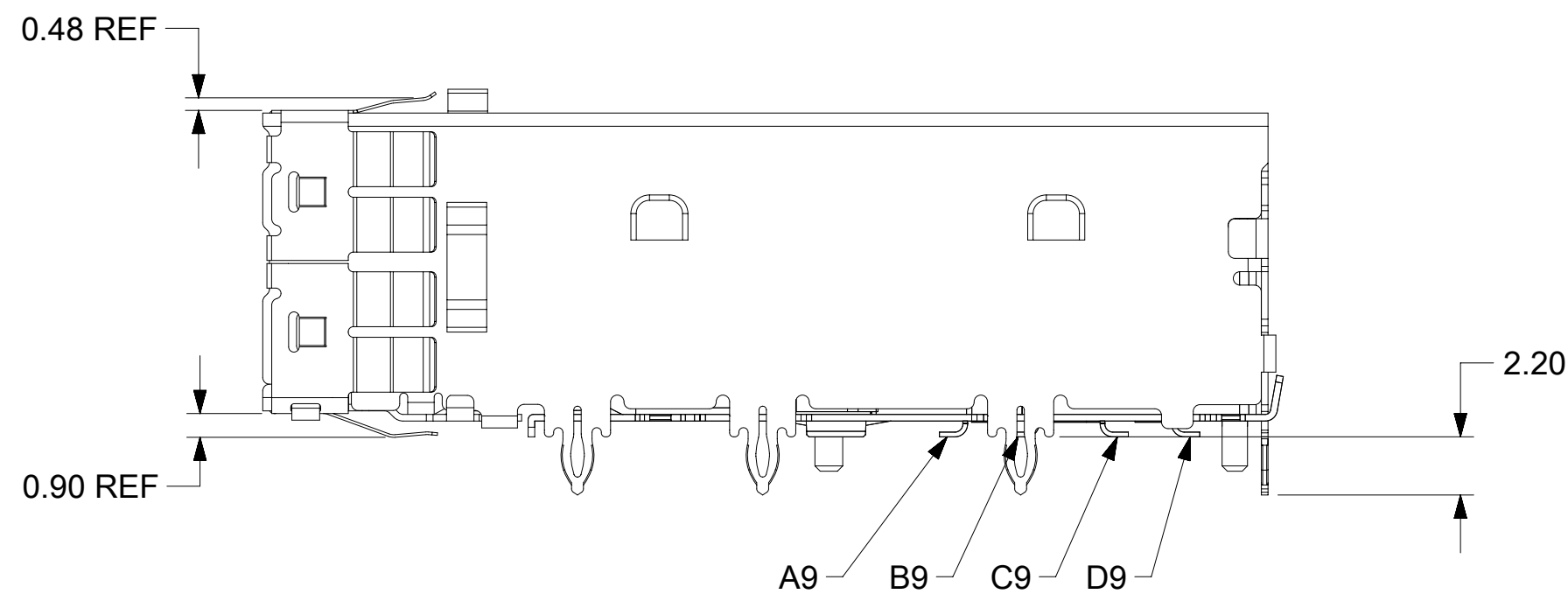
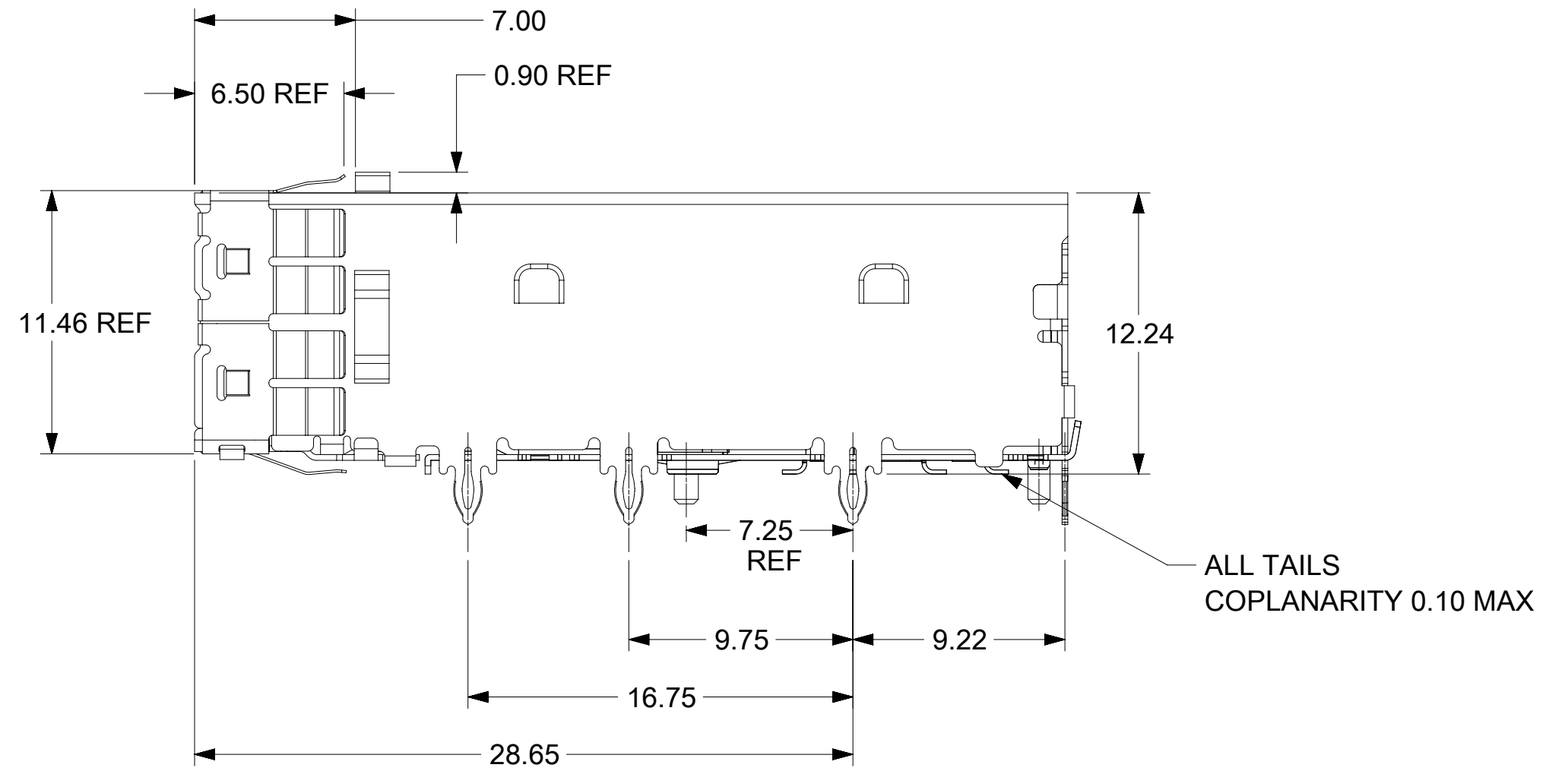
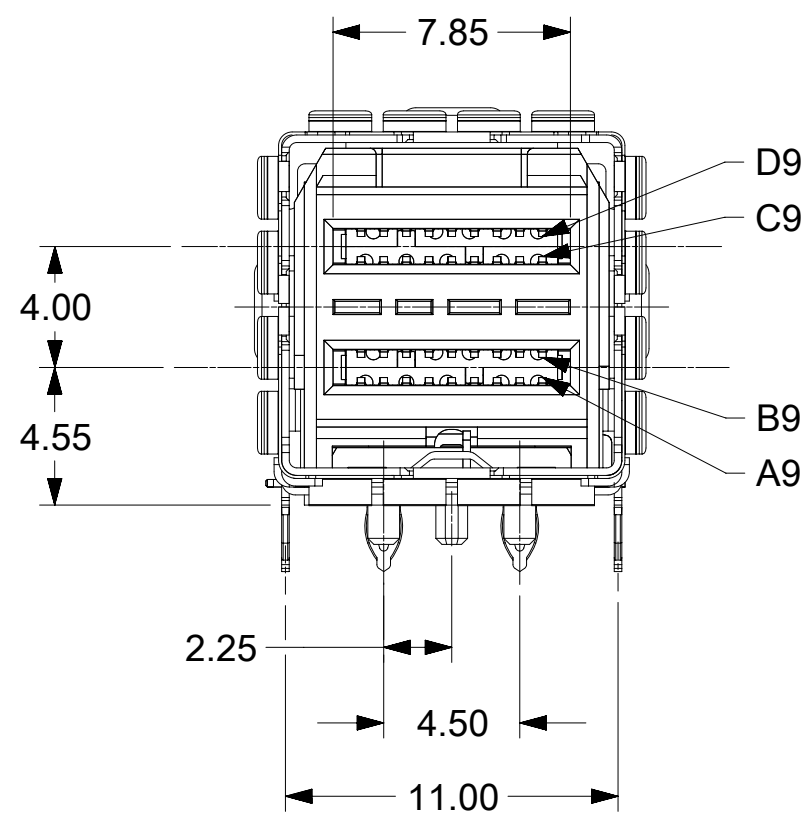


CONFIGURATION	MATERIAL NUMBER	
	CAGE	CONNECTOR WITH 3 PEG
1 x 1	1724735001	1724739995 (1X)
1 x 2	1724735002	1724739995 (2X)
1 x 4	1724735004	1724739995 (4X)

FUNCTIONAL SYMBOLS $\nabla_A = 0$ $\nabla_C = 0$ $\nabla_P = 0$ DIVISIONAL SYMBOLS	THIS DRAWING CONTAINS INFORMATION THAT IS PROPRIETARY TO MOLEX ELECTRONIC TECHNOLOGIES, LLC AND SHOULD NOT BE USED WITHOUT WRITTEN PERMISSION		CURRENT REV DESC:		
	DIMENSION UNITS	SCALE	EC NO: 733789		
	mm	3:1	DRWN: SUGEEB		
	GENERAL TOLERANCES (UNLESS SPECIFIED)		2023/01/03		
ANGULAR TOL ± °		CHK'D: GGA		2023/01/19	PRODUCT CUSTOMER DRAWING DOCUMENT NUMBER: 1724731111 DOC TYPE: PSD DOC PART: 001 REVISION: B6
4 PLACES ±		APPR: GGA		2023/01/19	
3 PLACES ± 0.1		INITIAL REVISION:		2017/11/10	MATERIAL NUMBER: SEE TABLE CUSTOMER: GENERAL MARKET SHEET NUMBER: 1 OF 5
2 PLACES ± 0.15		DRWN: AKOLAK		2018/06/27	
1 PLACE ± 0.25		APPR: TMCCLLELAND		2018/06/27	
0 PLACES ±		THIRD ANGLE PROJECTION	DRAWING	SERIES	
DRAFT WHERE APPLICABLE MUST REMAIN WITHIN DIMENSIONS			C-SIZE	172473	



SHOWN 1X1 ASSEMBLY WITH 1724739995 CONNECTOR



FUNCTIONAL SYMBOLS	THIS DRAWING CONTAINS INFORMATION THAT IS PROPRIETARY TO MOLEX ELECTRONIC TECHNOLOGIES, LLC AND SHOULD NOT BE USED WITHOUT WRITTEN PERMISSION						
	DIMENSION UNITS	SCALE	CURRENT REV DESC:				
$\nabla_A = 0$	mm	4:1	EC NO: 733789 DRWN: SUGEEB 2023/01/03				
$\nabla_C = 0$	GENERAL TOLERANCES (UNLESS SPECIFIED)						
$\nabla_P = 0$	ANGULAR TOL ± °		2023/01/19				
DIVISIONAL SYMBOLS	4 PLACES ±		2023/01/19				
	3 PLACES ± 0.1		INITIAL REVISION:				
	2 PLACES ± 0.15		DRWN: AKOLAK 2017/11/10				
	1 PLACE ± 0.25		APPR: TMCLELLAND 2018/06/27				
0 PLACES ±			DOCUMENT NUMBER				
DRAFT WHERE APPLICABLE MUST REMAIN WITHIN DIMENSIONS		THIRD ANGLE PROJECTION	DRAWING	SERIES	MATERIAL NUMBER	CUSTOMER	SHEET NUMBER
			C-SIZE	172473	SEE TABLE	GENERAL MARKET	2 OF 5

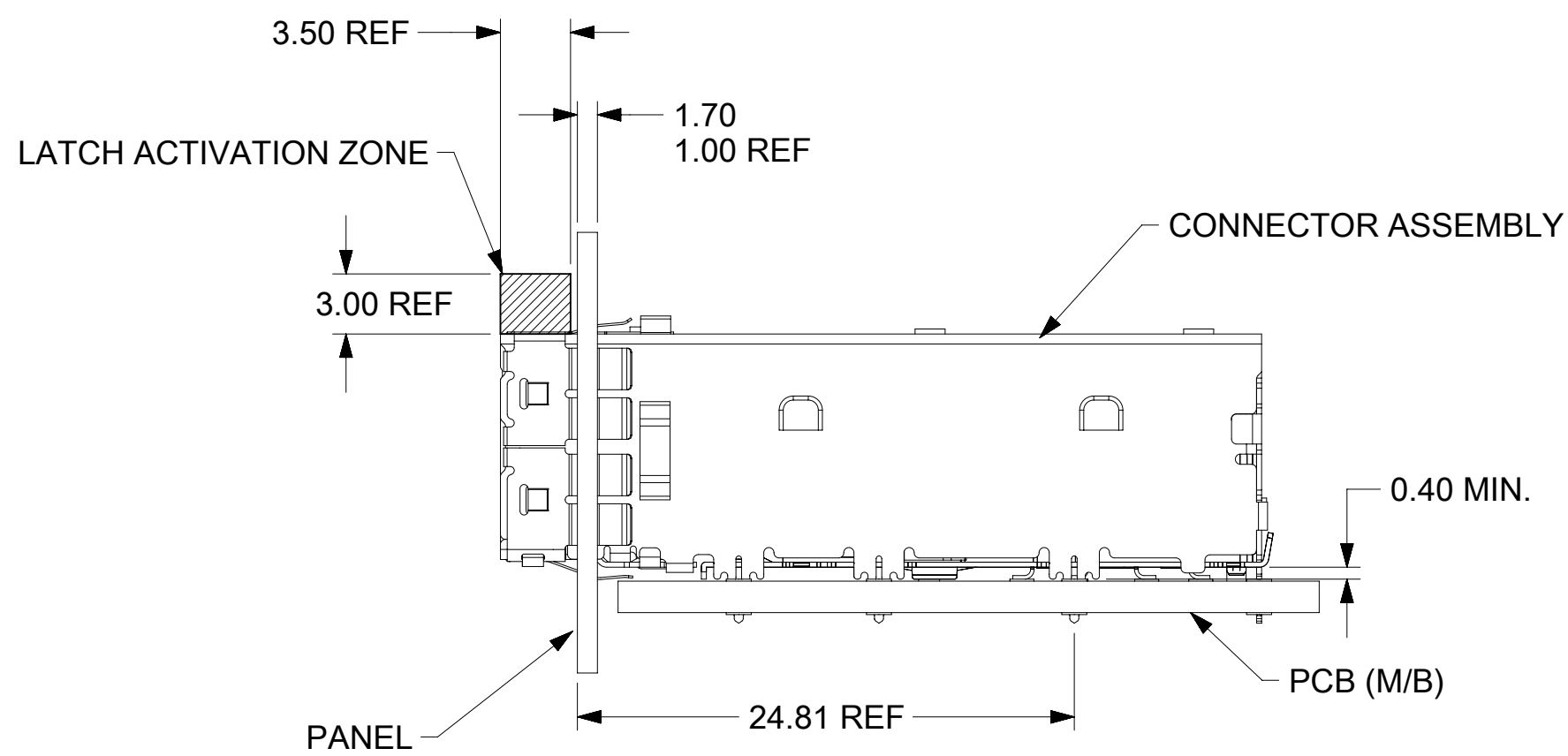
molex

IPASS RA SMT EXTERNAL SD

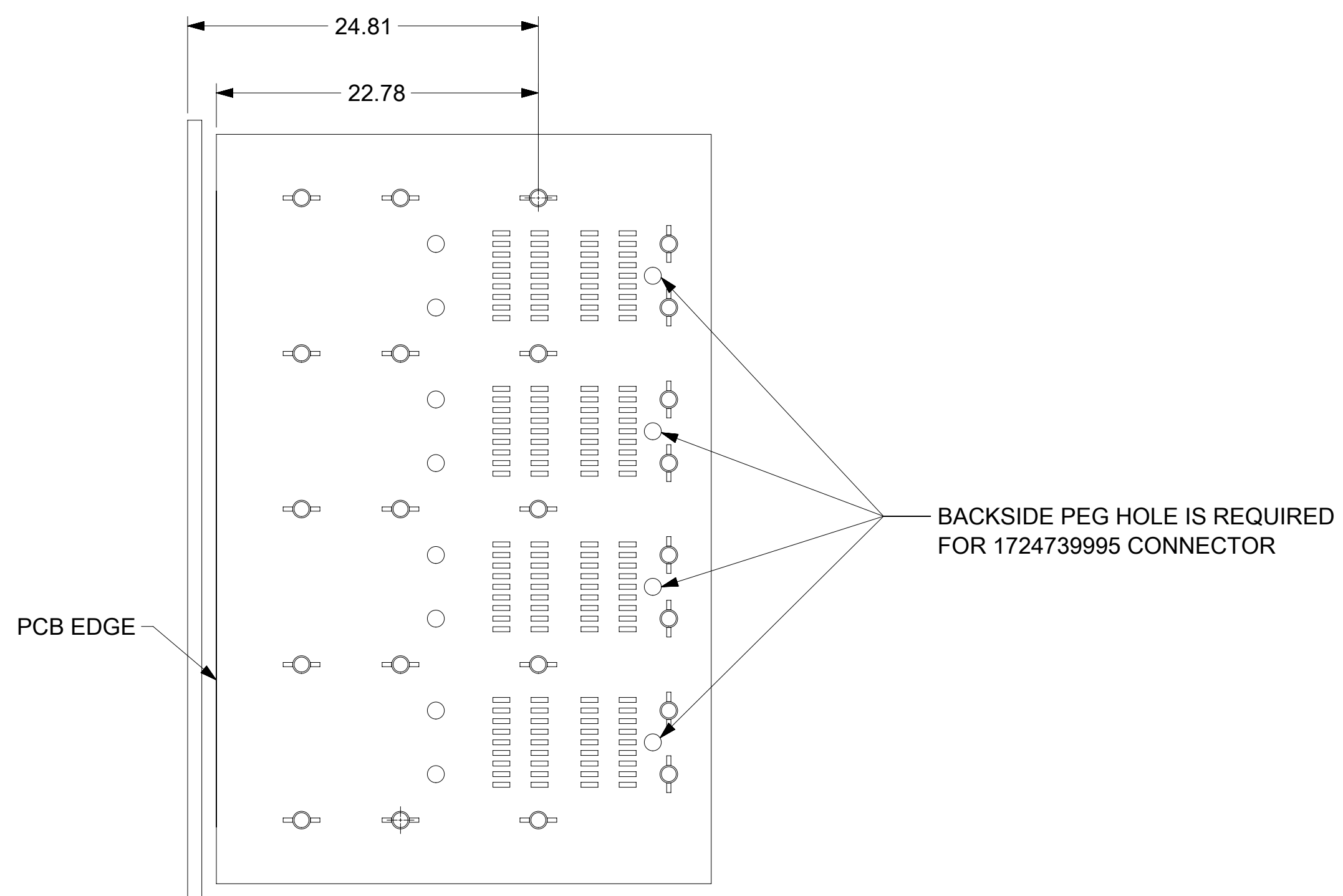
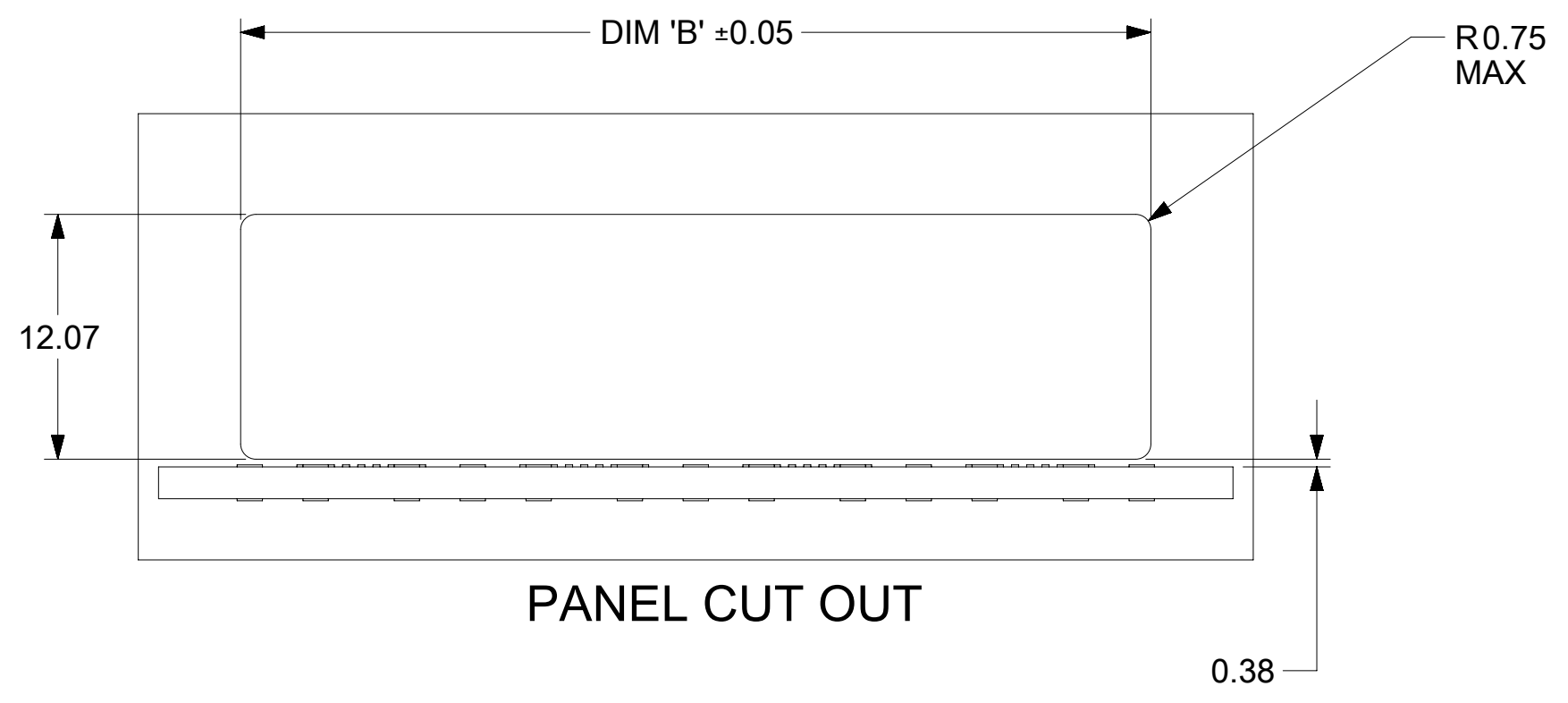
PRODUCT CUSTOMER DRAWING

1724731111

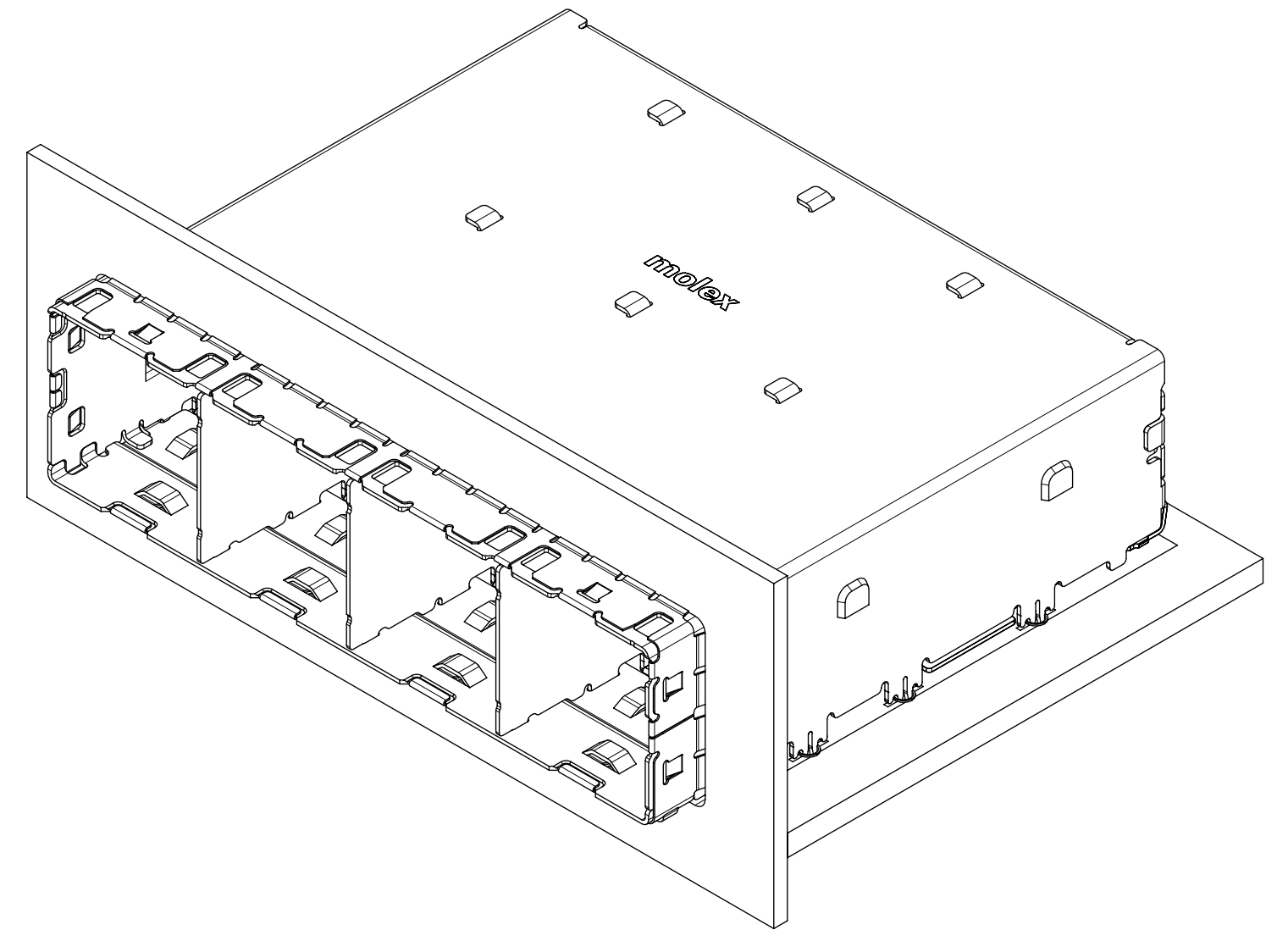
PSD 001 B6



ASSEMBLED VIEW



PCB TO PANEL VIEW



CONFIGURATION	DIM 'A' (MIN)	DIM 'B'
1 X 1	12.00.	11.90
1 X 2	23.00	22.90
1 X 4	45.00	44.90

FUNCTIONAL SYMBOLS $\nabla_A = 0$ $\nabla_C = 0$ $\nabla_P = 0$	THIS DRAWING CONTAINS INFORMATION THAT IS PROPRIETARY TO MOLEX ELECTRONIC TECHNOLOGIES, LLC AND SHOULD NOT BE USED WITHOUT WRITTEN PERMISSION		CURRENT REV DESC:	
	DIMENSION UNITS	SCALE	EC NO: 733789	
	mm	3:1	DRWN: SUGEEB	2023/01/03
	GENERAL TOLERANCES (UNLESS SPECIFIED)		CHK'D: GGA	2023/01/19
ANGULAR TOL ± °		APPR: GGA	2023/01/19	
DIVISIONAL SYMBOLS	4 PLACES ±	INITIAL REVISION:		
	3 PLACES ± 0.1	DRWN: AKOLAK	2017/11/10	
	2 PLACES ± 0.15	APPR: TMCLELLAND	2018/06/27	
	1 PLACE ± 0.25	THIRD ANGLE PROJECTION		
0 PLACES ±	DRAWING		SERIES	
DRAFT WHERE APPLICABLE MUST REMAIN WITHIN DIMENSIONS		C-SIZE	172473	MATERIAL NUMBER
		CUSTOMER		SHEET NUMBER
		GENERAL MARKET		3 OF 5

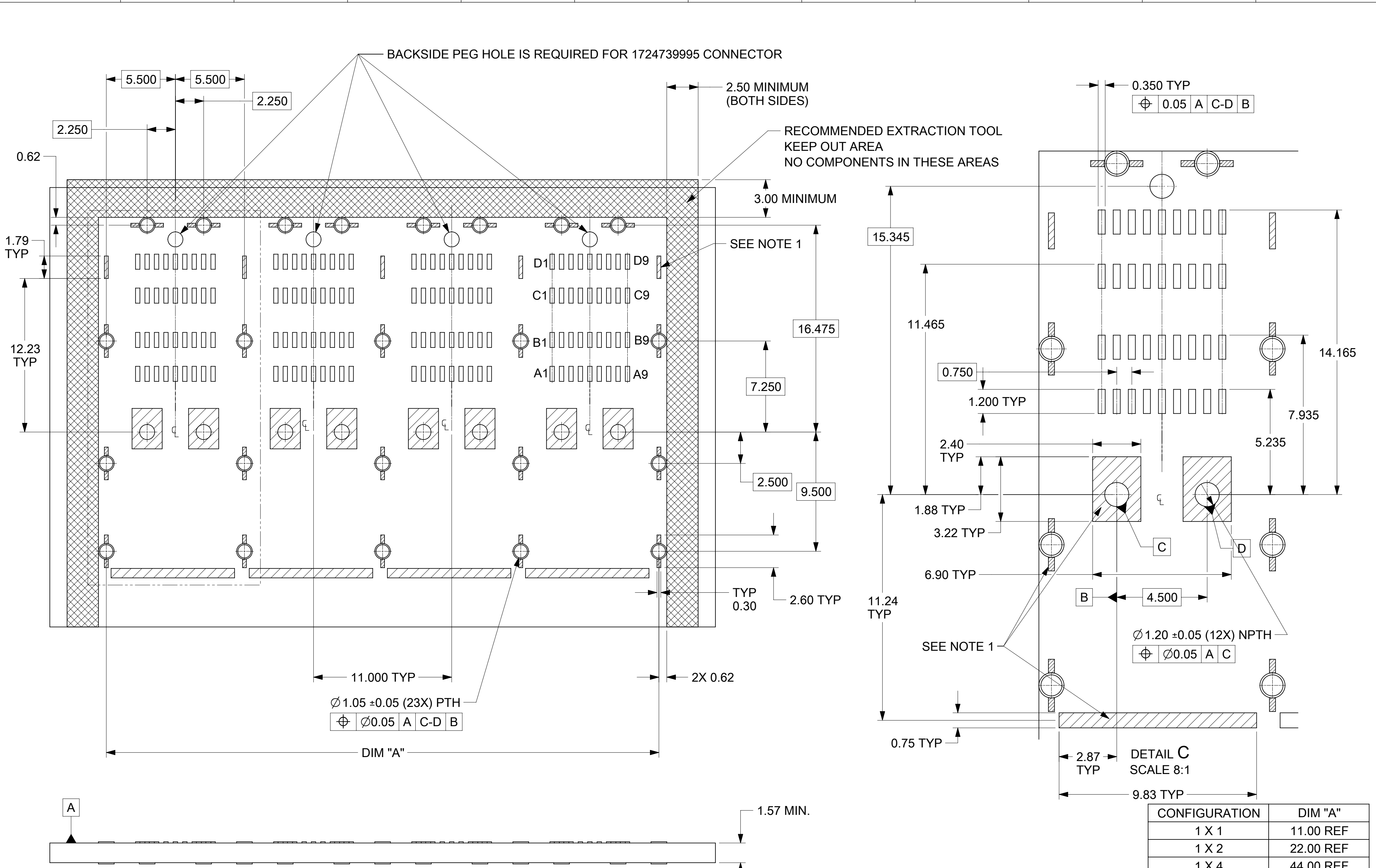
molex

IPASS RA SMT EXTERNAL SD

PRODUCT CUSTOMER DRAWING

DOCUMENT NUMBER
1724731111

DOC TYPE DOC PART REVISION
PSD 001 B6



BACKSIDE PEG HOLE IS REQUIRED FOR 1724739995 CONNECTOR

RECOMMENDED EXTRACTION TOOL
KEEP OUT AREA
NO COMPONENTS IN THESE AREAS

SEE NOTE 1

SEE NOTE 1

$\varnothing 1.05 \pm 0.05$ (23X) PTH
 $\varnothing 0.05$ A C-D B

$\varnothing 1.20 \pm 0.05$ (12X) NPTH
 $\varnothing 0.05$ A C


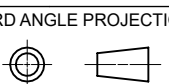
SHOWN 1X4 RECOMMENDED FOOTPRINT

- NOTES:
- KEEP OUT ZONE: TRACES, VIAS AND COMPONENT ARE NOT ALLOWED ON SURFACE OF PCB IN THESE AREAS;
 - THE ENTIRE AREA UNDER THE CONNECTOR IS A COMPONENT KEEP OUT ZONE, THE DETAIL INFORMATION REFER TO SI ROUTING SPEC. 1724730100.

CONFIGURATION	DIM "A"
1 X 1	11.00 REF
1 X 2	22.00 REF
1 X 4	44.00 REF

FUNCTIONAL SYMBOLS		THIS DRAWING CONTAINS INFORMATION THAT IS PROPRIETARY TO MOLEX ELECTRONIC TECHNOLOGIES, LLC AND SHOULD NOT BE USED WITHOUT WRITTEN PERMISSION		CURRENT REV DESC:	
$\frac{E}{A} = 0$	DIMENSION UNITS	SCALE			
$\frac{E}{C} = 0$	mm	5:1			
$\frac{E}{P} = 0$	GENERAL TOLERANCES (UNLESS SPECIFIED)				
	ANGULAR TOL				
	4 PLACES	±			
	3 PLACES	± 0.1			
	2 PLACES	± 0.15			
	1 PLACE	± 0.25			
	0 PLACES	±			
DIVISIONAL SYMBOLS		DRAFT WHERE APPLICABLE MUST REMAIN WITHIN DIMENSIONS		THIRD ANGLE PROJECTION	
				DRAWING SERIES	
				C-SIZE 172473	
				MATERIAL NUMBER CUSTOMER SHEET NUMBER	
				SEE TABLE GENERAL MARKET 4 OF 5	
				EC NO: 733789	
				DRWN: SUGEEB 2023/01/03	
				CHK'D: GGA 2023/01/19	
				APPR: GGA 2023/01/19	
				INITIAL REVISION:	
				DRWN: AKOLAK 2017/11/10	
				APPR: TMCLELLAND 2018/06/27	
				DOCUMENT NUMBER DOC TYPE DOC PART REVISION	
				1724731111 PSD 001 B6	
				MOLEX	
				IPASS RA SMT EXTERNAL SD	
				PRODUCT CUSTOMER DRAWING	

DATE	VERSION	DESCRIPTION
2021/11/16	B3	1. UPDATE THE DEFINITION OF DATUM A AND DATUM B ON PCB; 2. ADDED NEW 3 PEG 1724739995 CONNECTOR INFORMATION
2022/04/12	B5	1. UPDATE TOP SURFANCE KEEP OUT AREA; 2.CANCEL REPEAT SHOWN PAGE.
2023/01/03	B6	1. REMOVED OBSOLETED PART 1724736001 2 PEG CONNECTOR.

FUNCTIONAL SYMBOLS	THIS DRAWING CONTAINS INFORMATION THAT IS PROPRIETARY TO MOLEX ELECTRONIC TECHNOLOGIES, LLC AND SHOULD NOT BE USED WITHOUT WRITTEN PERMISSION													
$\frac{F}{A} = 0$ $\frac{F}{C} = 0$ $\frac{F}{P} = 0$	DIMENSION UNITS	SCALE	CURRENT REV DESC:											
	mm	1:1	EC NO: 733789 DRWN: SUGEEB 2023/01/03 CHK'D: GGA 2023/01/19 APPR: GGA 2023/01/19											
DIVISIONAL SYMBOLS	GENERAL TOLERANCES (UNLESS SPECIFIED)		PRODUCT CUSTOMER DRAWING							DOCUMENT NUMBER		DOC TYPE	DOC PART	REVISION
ANGULAR TOL ± ° 4 PLACES ± 3 PLACES ± 0.1 2 PLACES ± 0.15 1 PLACE ± 0.25 0 PLACES ±	DRAFT WHERE APPLICABLE MUST REMAIN WITHIN DIMENSIONS		THIRD ANGLE PROJECTION		DRAWING	SERIES	MATERIAL NUMBER	CUSTOMER	SHEET NUMBER					
					C-SIZE	172473	SEE TABLE	GENERAL MARKET	5 OF 5					



IPASS RA SMT EXTERNAL SD

PRODUCT CUSTOMER DRAWING

1724731111 PSD 001 B6