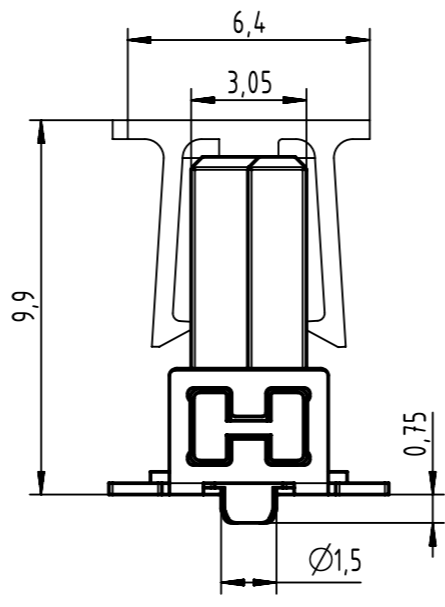
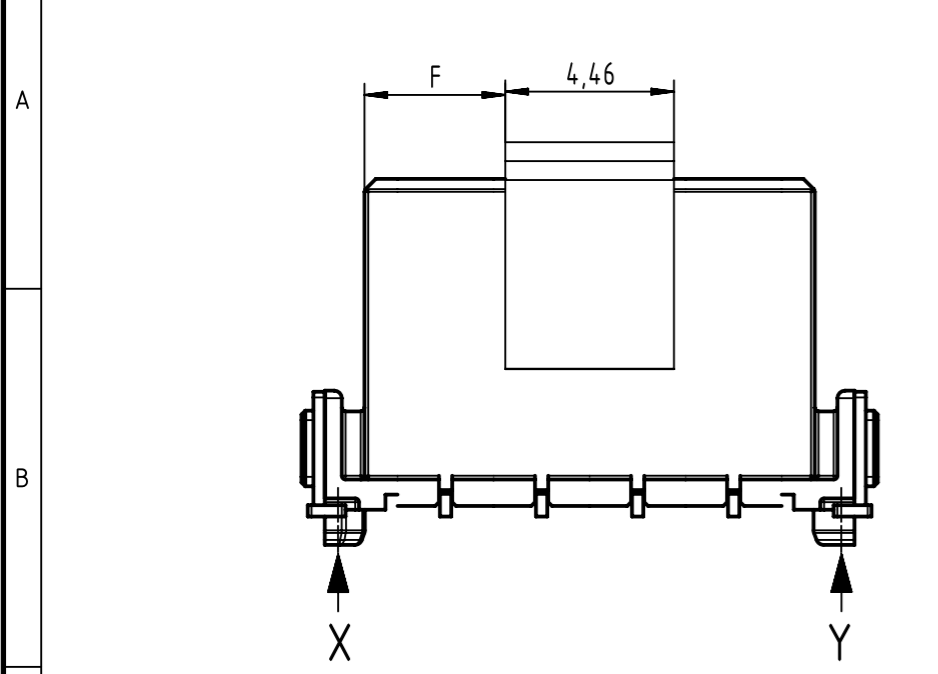


1 2 3 4 5 6 7 8

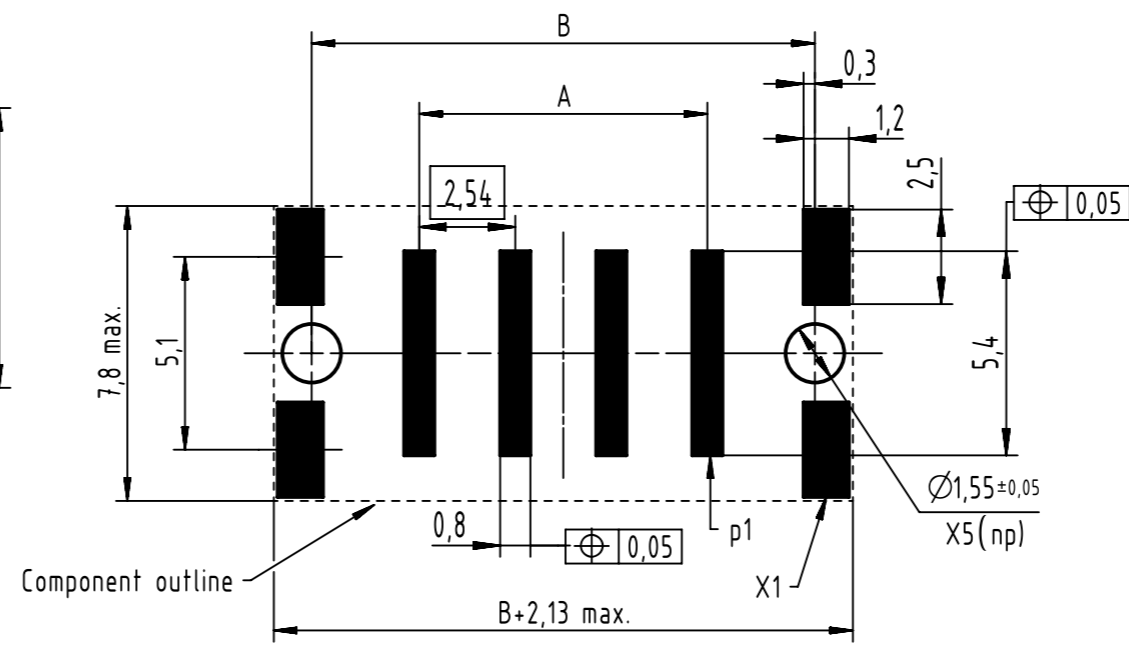
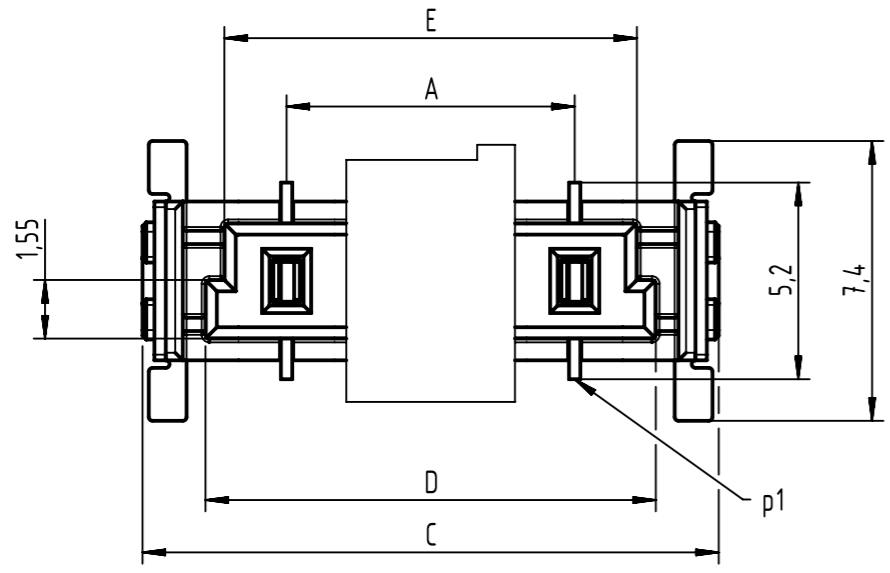


Poles P=	Part number	A	B	C	D	E	F
2	1562 002 X601 XXX	2,54	8,23	10,16	6,83	5,83	1,18
3	1562 003 X601 XXX	5,08	10,77	12,70	9,37	8,37	2,45
4	1562 004 X601 XXX	7,62	13,31	15,24	11,91	10,91	3,72
5	1562 005 X601 XXX	10,16	15,85	17,78	14,45	13,45	4,99
6	1562 006 X601 XXX	12,70	18,39	20,32	16,99	15,99	6,26
12	1562 012 X601 XXX	27,94	33,63	35,56	32,23	31,23	13,88

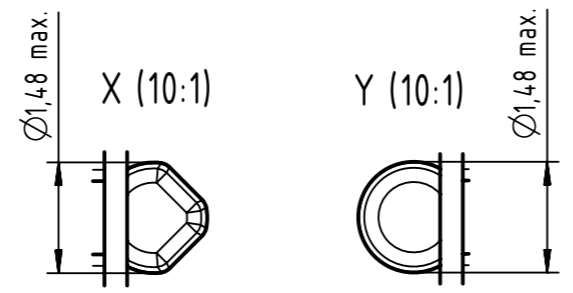
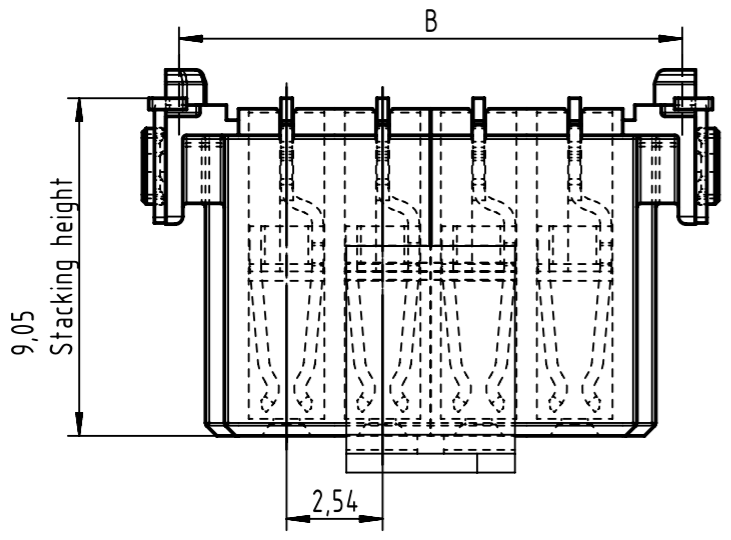
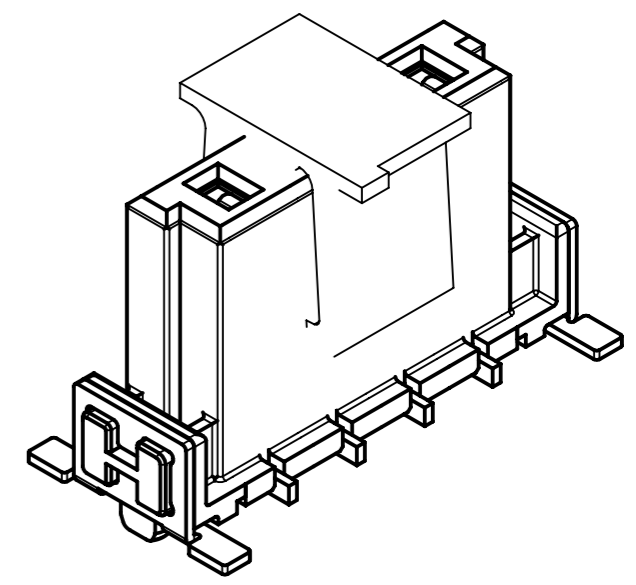
Packaging	
tape & reel with 280 pcs per reel	000
samples	333

Performance level	
PL1 : > 500 mating cycles	2

### Recommended PCB Layout



X=only mechanical; np=not plated thru hole



Further technical information see data sheet

	All rights reserved	Created by CHENSK	Inspected by WANGSTE	Standardisation 302077	Date 2020-11-02	State Final Release
	Department EL PD	Title Har-flex str female pwr conn SMT 9.05mm			Doc-Key / ECM-Nr. 100779942/UGD/001/B 500000182171	
HARTING Electronics GmbH D-32339 Espelkamp		Type TB	Number 1562XXXX601XXX		Rev. B	Page 1/2

1 2 3 4 5 6 7 8

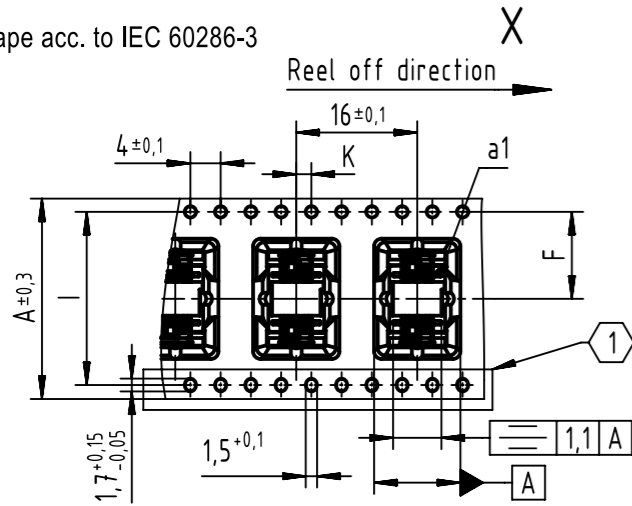


# har-flex<sup>®</sup> straight female power connector



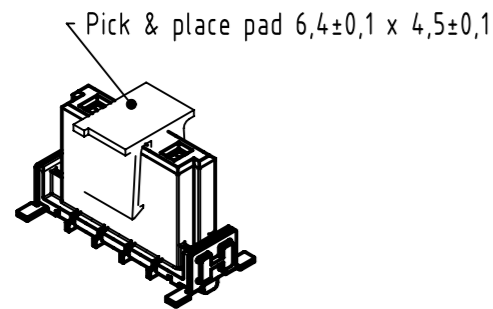
## TAPE LAYOUT & PACKAGING

Tape acc. to IEC 60286-3



Tape dimensions:	A	F	I	K
poles 02 and 03	24,0	11,5±0,1	-	2±0,1
poles 04 and 05	32,0	14,2±0,1	28,4	2±0,1
poles 06 to 12	44,0	20,2±0,1	40,4	2±0,15

NO DOUBLE SPROCKET HOLES FOR 02 AND 03 POLE NUMBERS (TAPE SIZE 24)

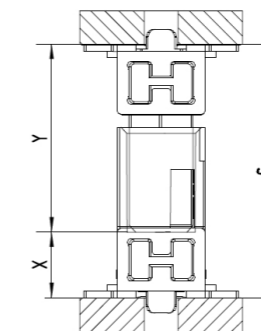


Index	Stacking height	Packaging unit	Packaging
000	9,05mm	280	Tape&reel
333	All	1	Tape

## APPLICATION INFORMATION

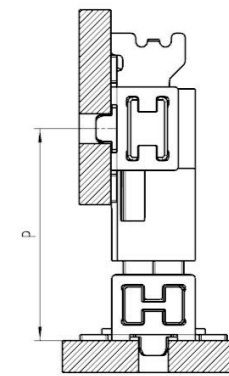
S	15mm	
	14mm	
	13mm	
	12mm	
	11mm	
	10mm	
	9mm	
	8mm	
X&Y	stacking heights	male 3.25mm female 9.05mm
S	PCB distance	12.3mm- 13.8mm
	part numbers	1552... 1562...

Straight female



Straight male

Angled male



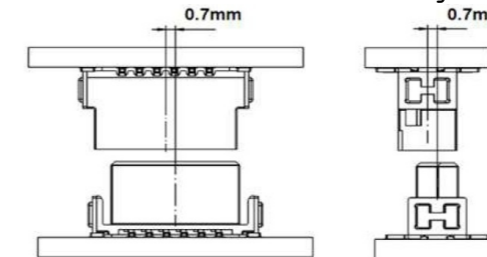
Straight female

3,25	9,05	12,3	13,8
X	Y	Smin	* Smax

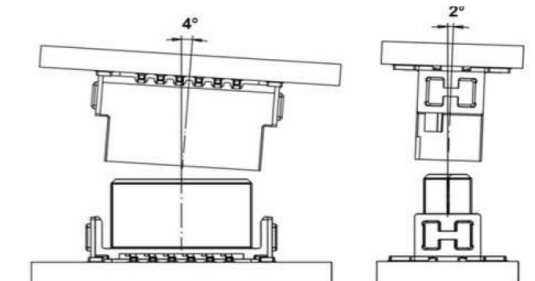
9,05	10,70
Y	P min.

\*Smax = Smin +1.5 wiping length with additional contact overlap security

Admissible mismatching

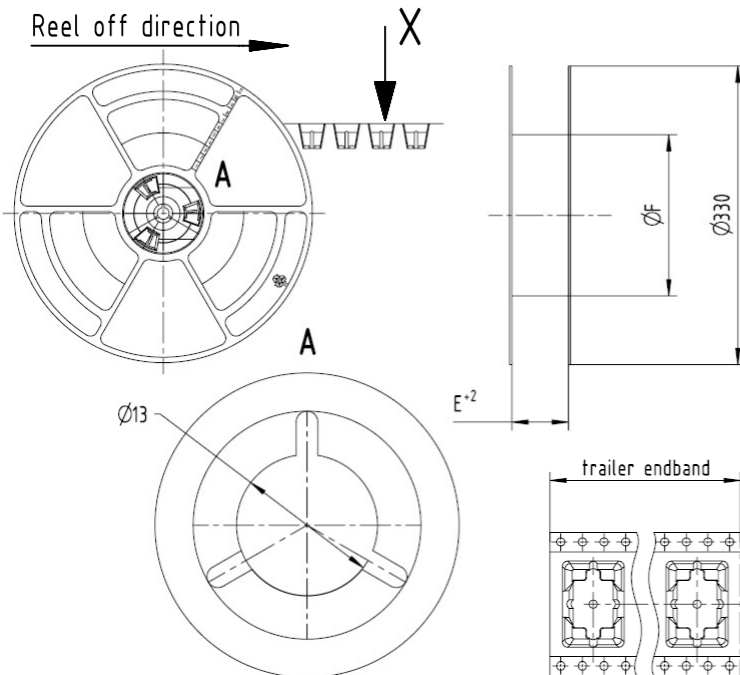


Admissible inclination



## REEL DIMENSIONS

Reel off direction



Reel dimensions:	E	F
Poles 02 and 03	24,4	178mm for stacking height 3,25mm
Poles 04 and 05	32,4	
Poles 06 to 12	44,4	



All Dimensions in mm  
Original Size DIN A3

Scale  
1:1

Free size tol.

Ref.

Sub.



All rights reserved

Department EL PD

Created by  
CHENSK

Inspected by  
WANGSTE

Standardisation  
302077

Date  
2020-11-02

State  
Final Release

Title  
Har-flex str female pwr conn SMT 9.05mm

Doc-Key / ECM-Nr.  
100779942/UGD/001/B  
500000182171

HARTING Electronics GmbH

D-32339 Espelkamp

Type  
TB

Number  
1562XXXX601XXX

Rev.  
B

Page  
2/2