

| MATERIAL NO. | ENGINEERING NO. | FINISHED LENGTH | POLES | CABLE DIA. |
|--------------|-----------------|------------------------|-------|-------------|
| 1300630017 | C03000A48M010 | 1 M (3 FT 3.37 IN) | 3 | 0.70 [17.8] |
| 1300630127 | C04000A48M750 | 75 M (246 FT 0.76 IN) | 4 | 0.78 [19.7] |
| 1300630132 | C04000A48T130 | 130 M (426 FT 6.11 IN) | 4 | 0.78 [19.7] |

CABLE LENGTH TOLERANCES

<.3M [1FT]: +19mm-0 [+ .75in-0]

.3 - .9M [1 - 3FT]: +44.5mm-0 [+1.75in-0]

.9 - 1.8M [3 - 6FT]: +55.6mm-0 [+2.19in-0]

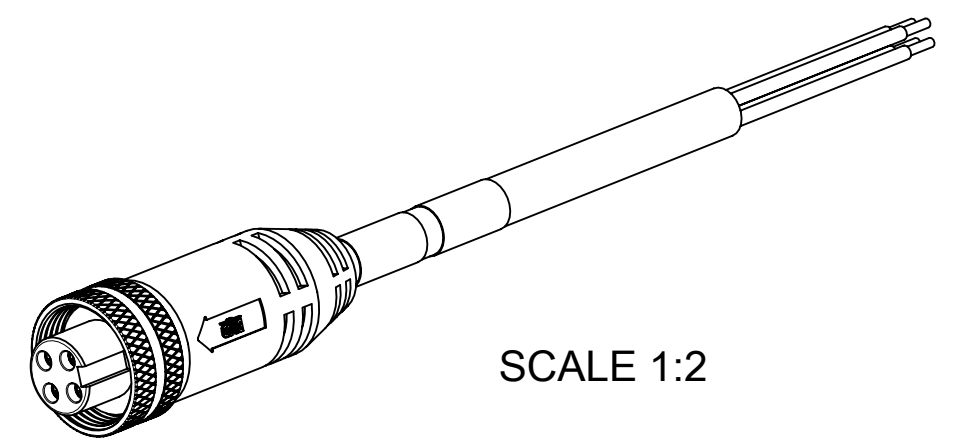
1.8 - 3.7M [6 - 12FT]: +88.9mm-0 [+3.50in-0]

3.7 - 7.3M [12 - 24FT]: +165.1mm-0 [+6.50in-0]

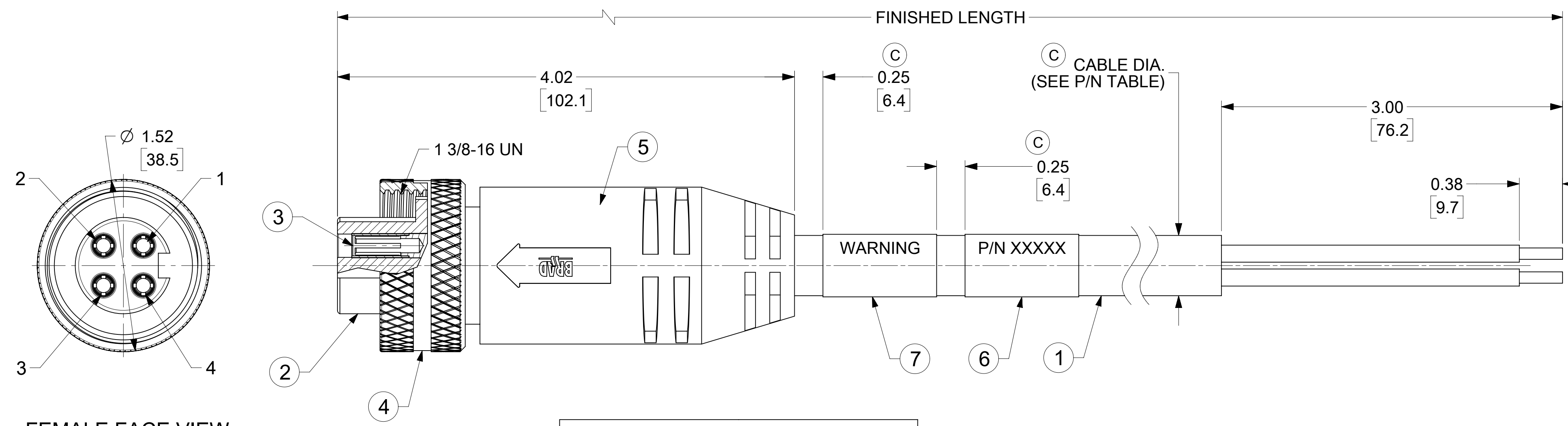
7.3-14.6M [24 - 48FT]: +317.5mm-0 [+12.50in-0]

14.6 - 30.5M [48-100FT]: +622.3mm-0 [+24.50in-0]

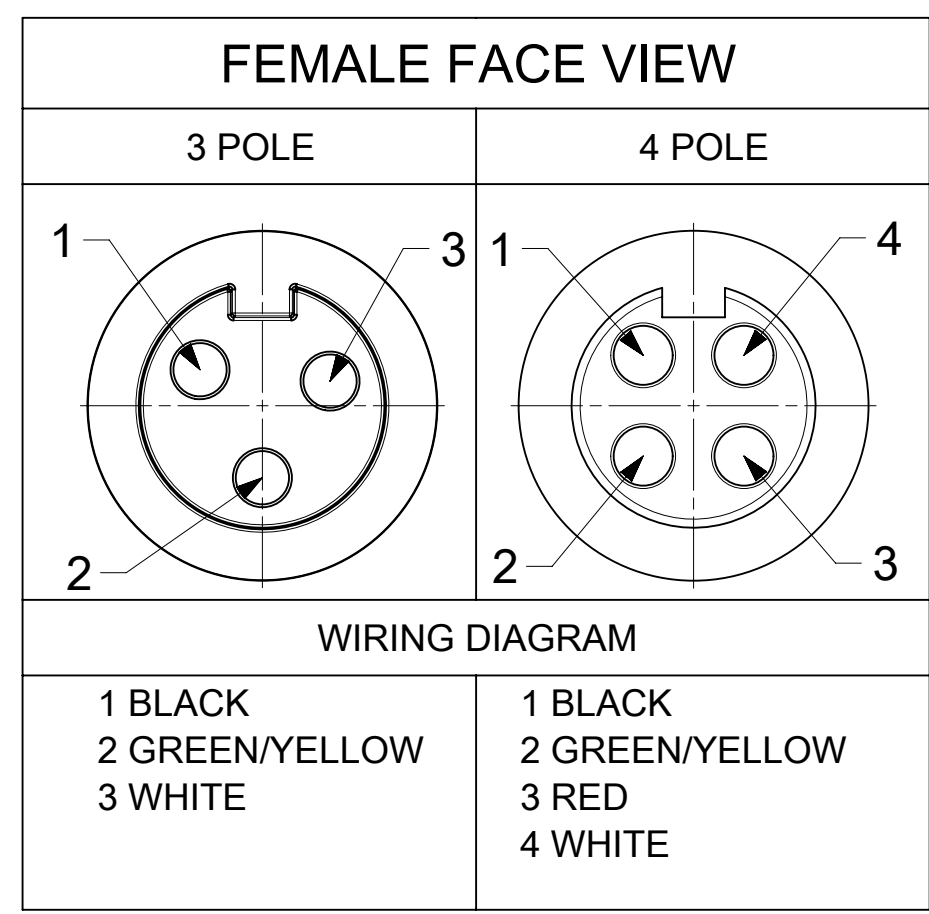
OVER 30M [100FT] +2% OF FINISHED LENGTH



SCALE 1:2



FEMALE FACE VIEW



PART NUMBER LEGEND

C04000A48M750

FINISHED LENGTH
M001 = 0.1 METER
M010 = 1.0 METER
M100 = 10.0 METER
T100 = 100 METER

- NOTES:**
- MATERIAL: AS NOTED
 - FINISH: AS NOTED
 - ELECTRICAL:
VOLTAGE: 630V (3P) / 500V (4P) PER IEC60664
600V PER UL2237
CURRENT: 32A
 - TEMP RATING: -20°C TO +90°C (3P), +105°C (4P)
 - PROTECTION: IP67 (WHEN MATED)
 - UL LISTED FILE: E258922
 - ALL DIMS ARE FOR REFERENCE UNLESS TOLERANCED OR NOTED OTHERWISE

| ITEM | DESCRIPTION | MATERIAL | FINISH |
|------|----------------------------|-----------|------------------|
| 7 | WARNING LABEL | VINYL | ORANGE/BLACK |
| 6 | WRAP LABEL | VINYL | BLACK/YELLOW |
| 5 | OVERMOLD | TPE | GRAY |
| 4 | COUPLING NUT | ALUMINIUM | CLEAR ANODIZE |
| 3 | CONTACT SOCKET | Cu ALLOY | GOLD OVER NICKEL |
| 2 | FEMALE INSERT | TPE | BLACK |
| 1 | CABLE #10/3-4, TC-ER/STOOW | PVC | GRAY |

| | | | | | | | |
|--|--|--------|--|---|--|---------------------|--|
| FUNCTIONAL SYMBOLS | | | | THIS DRAWING CONTAINS INFORMATION THAT IS PROPRIETARY TO MOLEX ELECTRONIC TECHNOLOGIES, LLC AND SHOULD NOT BE USED WITHOUT WRITTEN PERMISSION | | | |
| DIMENSION UNITS | | SCALE | | CURRENT REV DESC: ADDED NOTES, BOM, ITEM #2 & 5 WERE PVC, MATERIAL P/N TABLE & DIMS. CABLE DIA., TOL. CHART AND PART NUMBER LEGEND. | | | |
| INCH/MM | | 1.5:1 | | EC NO: 711366 | | | |
| GENERAL TOLERANCES (UNLESS SPECIFIED) | | | | DRWN: VHANDI 2021/09/17 | | | |
| 4 PLACES | | ± | | CHK'D: RSTONE 2022/06/21 | | | |
| 3 PLACES | | ± | | APPR: BWOODMAN 2022/06/24 | | | |
| 2 PLACES | | ± | | INITIAL REVISION: | | | |
| 1 PLACE | | ± | | DRWN: BRUPERT 2010/01/14 | | | |
| 0 PLACES | | ± | | APPR: JFMURPHY 2010/01/15 | | | |
| ANGULAR TOL | | ± 0.5° | | THIRD ANGLE PROJECTION | | | |
| DRAFT WHERE APPLICABLE MUST REMAIN WITHIN DIMENSIONS | | | | DRAWING | | SERIES | |
| | | | | C-SIZE | | 130063 | |
| DOCUMENT STATUS | | P1 | | RELEASE DATE | | 2022/06/24 12:55:25 | |
| DOCUMENT NUMBER | | PSD | | CUSTOMER | | GENERAL MARKET | |
| SD-130063-089 | | 001 | | SHEET NUMBER | | 1 OF 1 | |