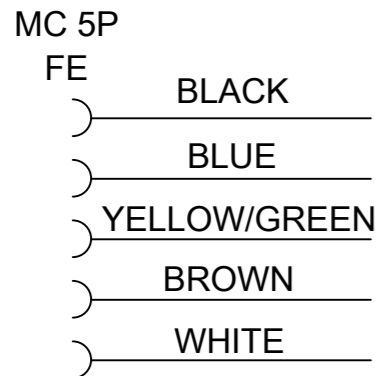
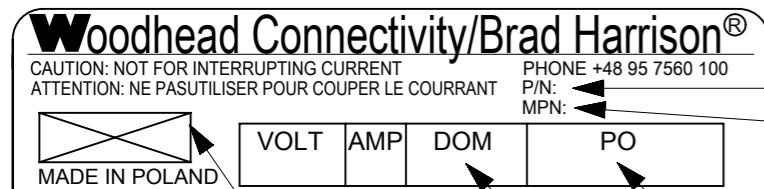


WIRING DIAGRAM



LABEL PRINTING



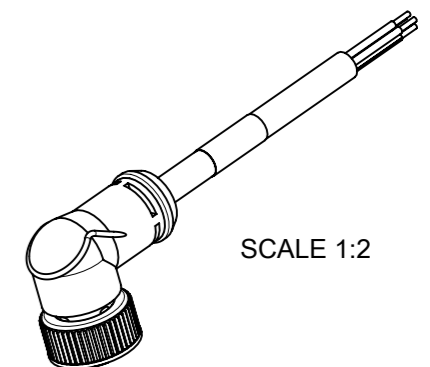
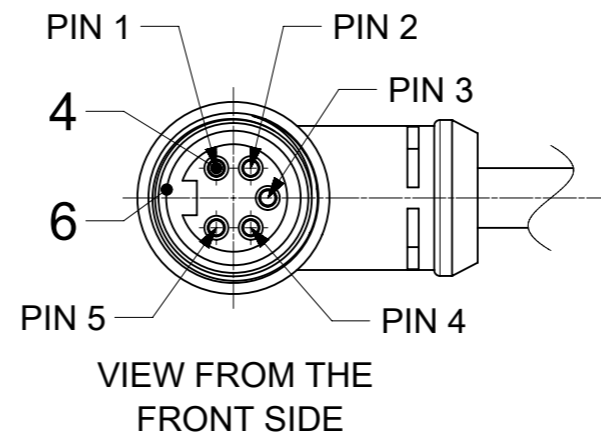
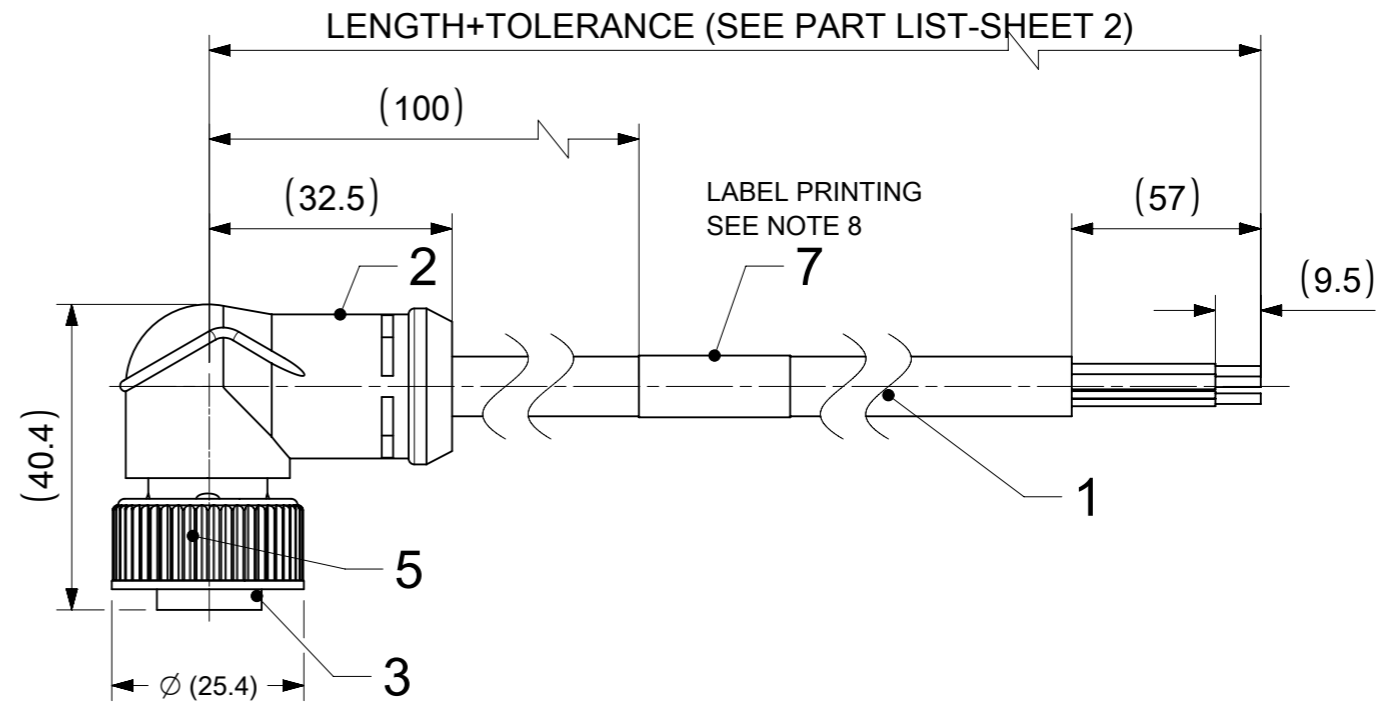
ENGINEERING NO.  
MOLEX PN

PO NO.  
PRODUCT. DATE

CERTIFICATION SYMBOLS

NOTES:

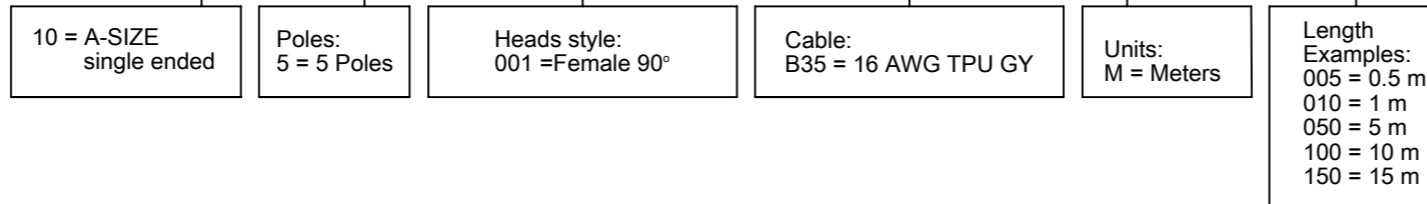
1. MATERIAL: AS NOTED
2. FINISH: AS NOTED
3. ELECTRICAL:  
VOLTAGE: 600 V  
CURRENT: 10 A
4. TEMPERATURE RATING:  
STATIC: -40 °C TO 90 °C  
DYNAMIC: -25 °C TO 80 °C
5. PROTECTION: IP67 (WHEN MATED)
6. UL CERTIFICATION: UL LISTED, FILE NO. E152210
7. BOM, PART LIST AND MATRIX - SEE SHEET 2
8. LABEL PRINTING ACC. STANDARD LABEL INSTRUCTION



FUNCTIONAL SYMBOLS	THIS DRAWING CONTAINS INFORMATION THAT IS PROPRIETARY TO MOLEX ELECTRONIC TECHNOLOGIES, LLC AND SHOULD NOT BE USED WITHOUT WRITTEN PERMISSION		<p style="text-align: center;"><b>molex</b></p> <p style="text-align: center;">CSE MC 5P A-SIZE FE RA XM PUR SE</p> <p style="text-align: center;">PRODUCT CUSTOMER DRAWING</p>				
	<p>△/A = 0</p> <p>△/E = 0</p> <p>△/V = 0</p>	<p>mm</p> <p>SCALE 1:1</p> <p>GENERAL TOLERANCES (UNLESS SPECIFIED)</p> <p>ANGULAR TOL ± 1.0°</p> <p>4 PLACES ±</p> <p>3 PLACES ±</p> <p>2 PLACES ± 0.05</p> <p>1 PLACE ± 0.3</p> <p>0 PLACES ± 0.5</p>					<p>CURRENT REV DESC: NOTES UPDATED, LABEL PRINTING ADDED</p> <p>EC NO: 747270</p> <p>DRWN: RSCHIEBER 2023/04/20</p> <p>CHK'D: RSILLER 2023/04/27</p> <p>APPR: RSILLER 2023/04/27</p> <p>INITIAL REVISION:</p> <p>DRWN: RSTONE 2013/12/09</p> <p>APPR: JFMURPHY 2013/12/16</p>
DIVISIONAL SYMBOLS	<p>DRAFT WHERE APPLICABLE MUST REMAIN WITHIN DIMENSIONS</p>	<p>THIRD ANGLE PROJECTION</p>	<p>DRAWING</p> <p>A3-SIZE</p>	<p>SERIES</p> <p>130006</p>	<p>MATERIAL NUMBER</p> <p>SEE SHEET 2</p>	<p>CUSTOMER</p> <p>GENERAL MARKET</p>	<p>SHEET NUMBER</p> <p>1 OF 2</p>

PART No. MATRIX

1 0 5 0 0 1 B 3 5 M X X X



PART LIST

MOLEX PN	ENGINEERING NO.	L + Tol. [mm]
1300068174	105001B35M020	2000 + 89
1300068175	105001B35M050	5000 + 165
1300068176	105001B35M100	10000 + 317
1300068177	105001B35M200	20000 + 610
1300068178	105001B35M300	30000 + 610
1300068274	105001B35M010	1000 +56

BILL OF MATERIAL

ITEM	QTY	DESCRIPTION	MATERIAL	FINISH/COLOR
7	1	LABEL	VINYL	YELLOW
6	1	FRICTION RING	NYLON	-
5	1	COUPLINGNUT	ZINC DIE-CAST	BLACK E-COAT
4	5	FEMALE CONTACT	Cu ALLOY	GOLD OVER NICKEL
3	1	INSERT	PUR	BLACK
2	-	OVERMOLD	TPE	BLACK
1	-	CABLE 16AWG OD=8.5mm	TPU	GRAY
DOCUMENT STATUS	P1	RELEASE DATE	2023/04/27 12:11:50	

<b>FUNCTIONAL SYMBOLS</b> $\nabla/A = 0$ $\nabla/E = 0$ $\nabla/P = 0$	THIS DRAWING CONTAINS INFORMATION THAT IS PROPRIETARY TO MOLEX ELECTRONIC TECHNOLOGIES, LLC AND SHOULD NOT BE USED WITHOUT WRITTEN PERMISSION		CURRENT REV DESC: NOTES UPDATED, LABEL PRINTING ADDED		<p>CSE MC 5P A-SIZE FE RA XM PUR SE</p> <p>PRODUCT CUSTOMER DRAWING</p>
	<b>DIMENSION UNITS</b> mm	<b>SCALE</b> 1:1	EC NO: 747270 DRWN: RSCHIEBER 2023/04/20 CHK'D: RSILLER 2023/04/27 APPR: RSILLER 2023/04/27		
	GENERAL TOLERANCES (UNLESS SPECIFIED) ANGULAR TOL $\pm 1.0^\circ$		INITIAL REVISION: DRWN: RSTONE 2013/12/09 APPR: JFMURPHY 2013/12/16		
	<b>DIVISIONAL SYMBOLS</b> 4 PLACES $\pm$ 3 PLACES $\pm$ 2 PLACES $\pm 0.05$ 1 PLACE $\pm 0.3$ 0 PLACES $\pm 0.5$	DRAFT WHERE APPLICABLE MUST REMAIN WITHIN DIMENSIONS		THIRD ANGLE PROJECTION	
DOCUMENT NUMBER <b>SD-130006-051</b>		DOC TYPE PSD	DOC PART 001	REVISION A4	SHEET NUMBER 2 OF 2
DRAWING <b>A3-SIZE</b>		SERIES 130006	MATERIAL NUMBER SEE SHEET 2	CUSTOMER GENERAL MARKET	