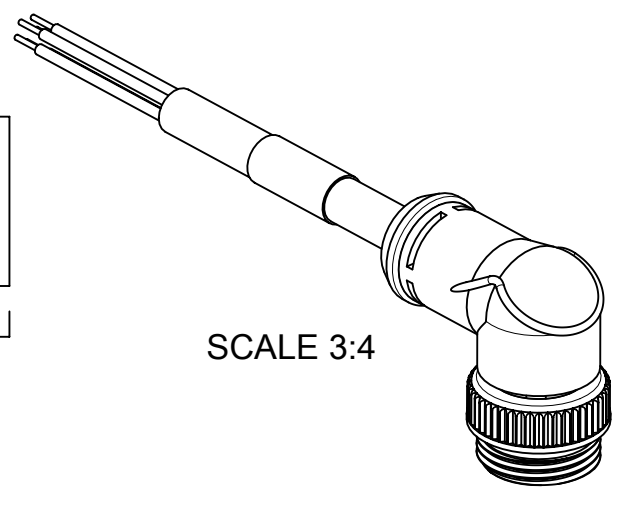
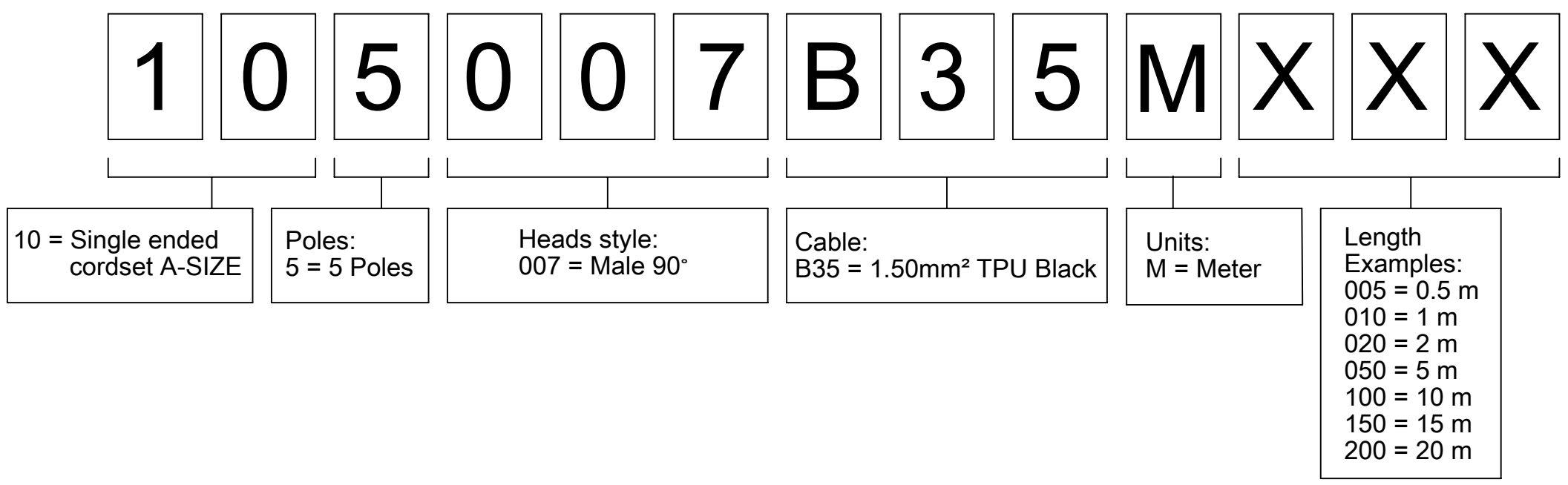


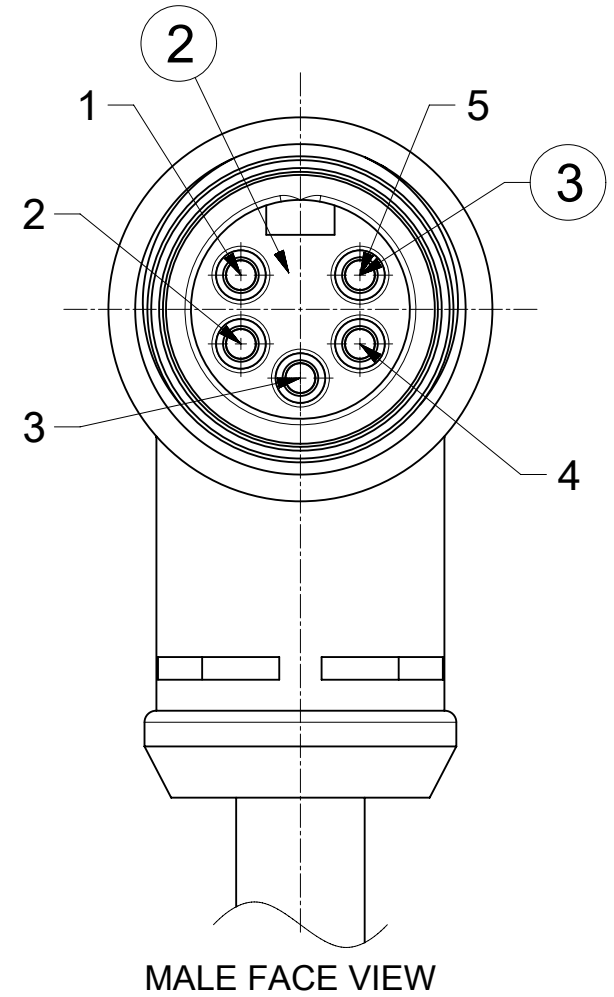
MATERIAL NO.	ENGINEERING NO.	FINISHED LENGTH
1300068277	105007B35M010	1 M (3 FT 3.37 IN)
1300068169	105007B35M020	2 M (6 FT 6.74 IN)
1300068170	105007B35M050	5 M (16 FT 4.85 IN)
1300068171	105007B35M100	10 M (32 FT 9.7 IN)
1300068172	105007B35M200	20 M (65 FT 4.7 IN)
1300068173	105007B35M300	30 M (98 FT 5.1 IN)

PART NUMBER MATRIX



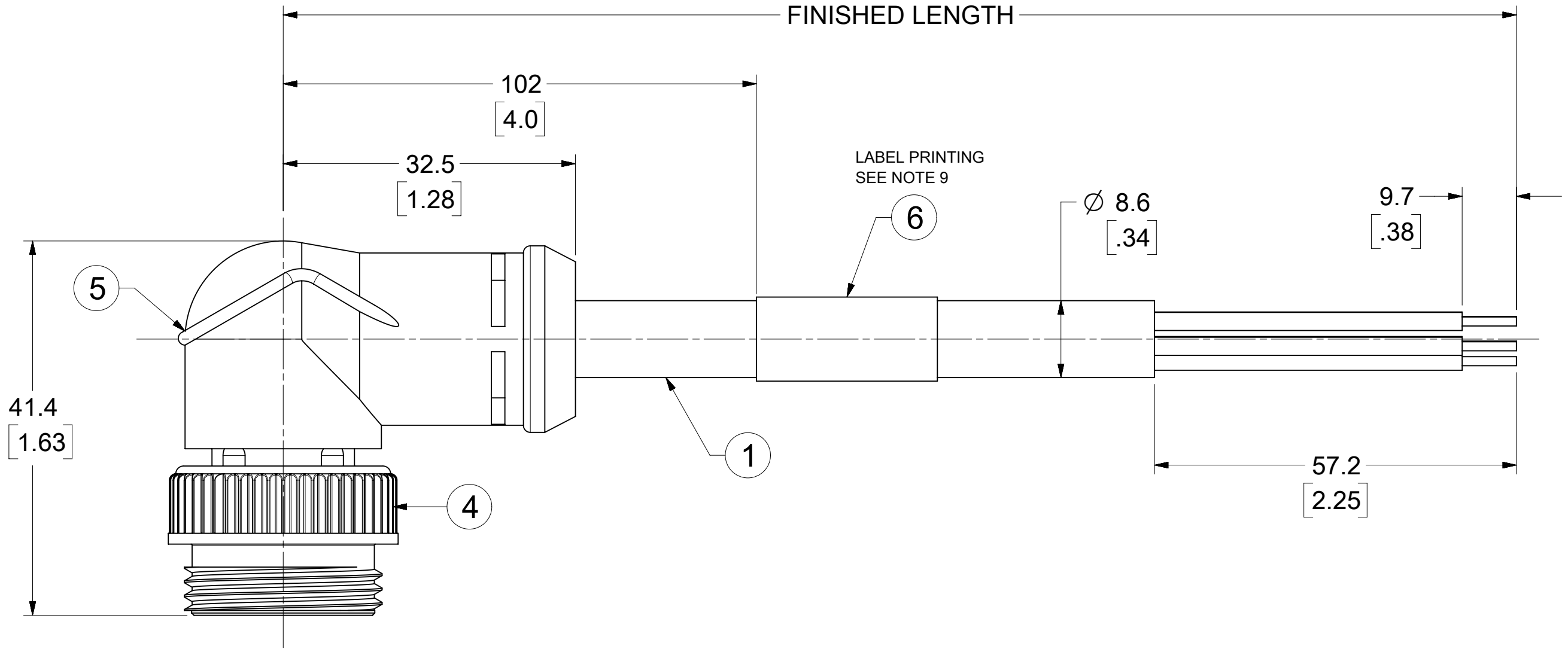
WIRING DIAGRAM

1	BLACK
2	BLUE
3	GREEN/YELLOW
4	BROWN
5	WHITE



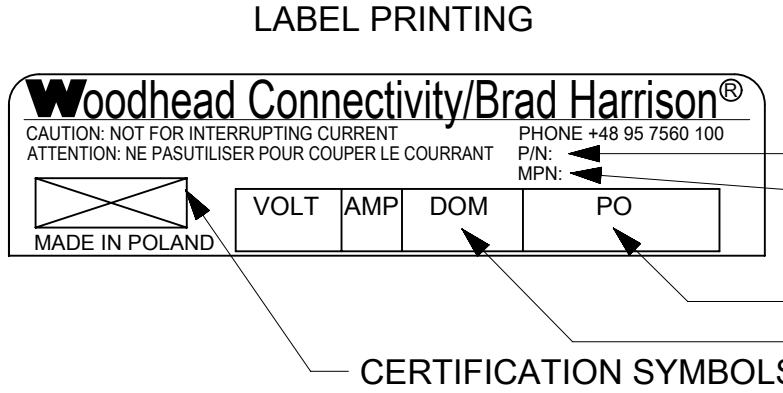
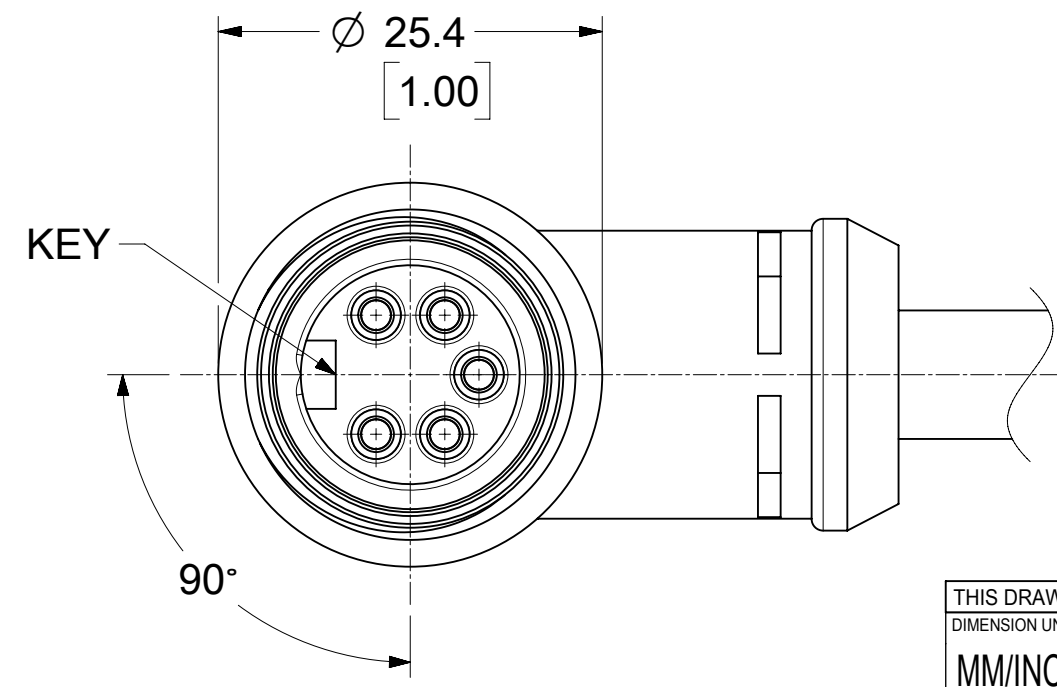
NOTES:

- MATERIAL: AS NOTED
- FINISH: AS NOTED
- ELECTRICAL:
VOLTAGE RATING: 600 V
CURRENT RATING: 10 A
- TEMPERATURE RATING:
STATIC: -40 °C TO 90 °C
DYNAMIC: -25 °C TO 80 °C
- PROTECTION: IP67 (WHEN MATED)
- UL CERTIFICATION: UL LISTED, FILE NO. E152210
- COUPLING THREAD: 7/8"-16UN
- ALL DIMS ARE FOR REFERENCE UNLESS TOLERANCED OR NOTED OTHERWISE
- LABEL PRINTING ACC. STANDARD LABEL INSTRUCTION



CABLE LENGTH TOLERANCES

<.3M [1FT]:	+19mm-0 [+.75in-0]
.3 - .9M [1 - 3FT]:	+44.5mm-0 [+1.75in-0]
.9 - 1.8M [3 - 6FT]:	+55.6mm-0 [+2.19in-0]
1.8 - 3.7M [6 - 12FT]:	+88.9mm-0 [+3.50in-0]
3.7 - 7.3M [12 - 24FT]:	+165.1mm-0 [+6.50in-0]
7.3-14.6M [24 - 48FT]:	+317.5mm-0 [+12.50in-0]
14.6 - 30.5M [48-100FT]:	+622.3mm-0 [+24.50in-0]
OVER 30M [100FT]	+2% OF FINISHED LENGTH



BILL OF MATERIAL

ITEM	DESCRIPTION	MATERIAL	FINISH
6	LABEL	VINYL	BLACK/YELLOW
5	OVERMOLD	TPE	BLACK
4	COUPLING NUT	ZINC DIE CAST	BLACK E-COAT
3	PIN CONTACT	Cu ALLOY	GOLD OVER NICKEL
2	MALE INSERT	TPE	BLACK
1	#16-5 CABLE, WELD SLAG RESISTANT	TPU JACKET	GREY
		MATERIAL	FINISH

THIS DRAWING CONTAINS INFORMATION THAT IS PROPRIETARY TO MOLEX ELECTRONIC TECHNOLOGIES, LLC AND SHOULD NOT BE USED WITHOUT WRITTEN PERMISSION									
DIMENSION UNITS: MM/INCH		SCALE: 2:1		CURRENT REV DESC: NOTES UPDATED, LABEL PRINTING ADDED					
GENERAL TOLERANCES (UNLESS SPECIFIED)				EC NO: 747270		CSE MC 5P A-SIZE MA RA WSOR XM SE			
4 PLACES ±		±		DRWN: RSCHIEBER		2023/04/18		PRODUCT CUSTOMER DRAWING	
3 PLACES ±		±		CHK'D: RSILLER		2023/04/27		DOCUMENT NUMBER	
2 PLACES ±		±		APPR: RSILLER		2023/04/27		DOC TYPE DOC PART REVISION	
1 PLACE ±		±		INITIAL REVISION:		2019/08/20		1300068169	
0 PLACES ±		±		DRWN: RSTONE		2019/08/20		PSD 000 B2	
ANGULAR TOL ± °		°		APPR: BWOODMAN		2019/08/28		MATERIAL NUMBER CUSTOMER	
DRAFT WHERE APPLICABLE MUST REMAIN WITHIN DIMENSIONS		THIRD ANGLE PROJECTION		DRAWING: C-SIZE		SERIES: 130006		SEE TABLE GENERAL MARKET	
								SHEET NUMBER: 1 OF 1	