

Keywords: automatic shutdown, automatic power-up, automatic low battery lockout, battery disconnect, load disconnect, power up

### APPLICATION NOTE 608

# Micropower Circuit Offers Automatic Shutdown and Low-Battery Lockout

Jun 01, 2001

*Abstract: The following application note provides a circuit that automatically performs shutdown, power-up, and low-battery lockout functions without the need for software control.*

This micropower circuit provides shutdown, power-up, and low-battery lockout functions automatically, without the need for software or operator control (**Figure 1**). Featuring 2.3V hysteresis, the circuit eliminates the use of microprocessor I/O pins for charger detection, battery-threshold monitoring, and shutdown control. Under full load, the complete power-management circuit draws less than 200 $\mu$ A of supply current.

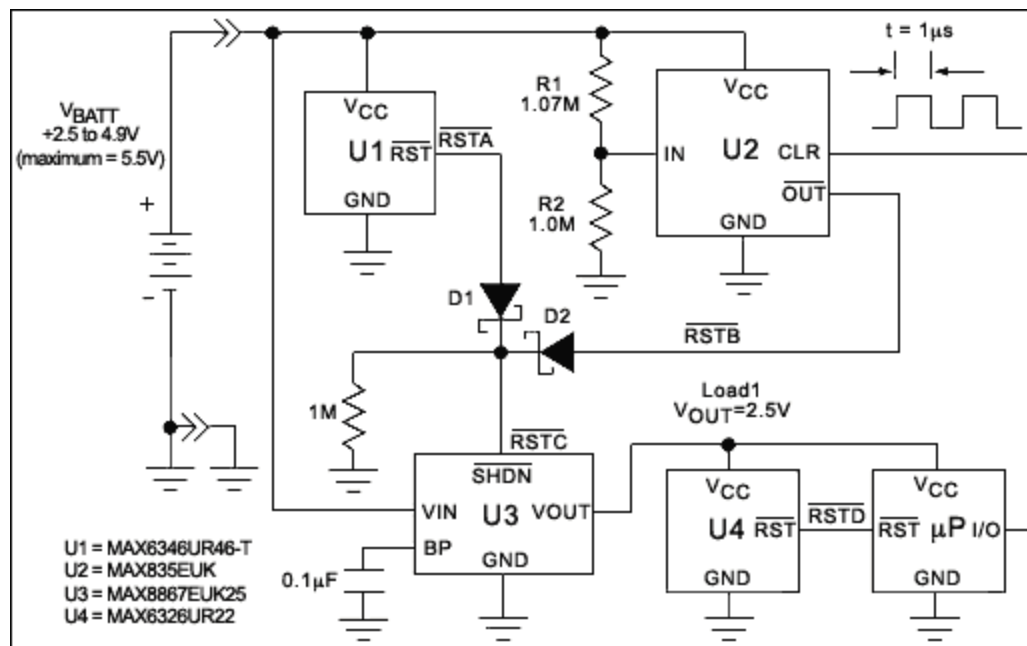


Figure 1. This micropower circuit provides shutdown, power-up, and low-battery lockout functions for this three-cell NiCd-based circuit without the need for software or operator control.

After the cutoff point for battery discharge is reached, the circuit locks out (disconnects) the battery from the load (Load1). This action prevents circuit "chatter" and deep discharge until the battery is in its charger cradle. A common and annoying problem with battery-voltage monitors, chatter is the circuit's

response to fluctuations in battery-terminal voltage. These fluctuations take place when the recurring load connections toggle the battery between its discharge and relaxed-open-circuit conditions.

For a three-cell NiCd battery, the typical terminal voltage is 4.9V fully charged, 3.6V under load, and 2.5V at discharge. The load should be disconnected at 2.5V, but not reconnected, as the resulting terminal voltage ( $V_{BATT}$ ) floats to the open-circuit condition. The circuit in Figure 1 disconnects the load at 2.5V and reconnects it while the battery is in its charger cradle (4.68V).

An ultra-low-power microprocessor ( $\mu P$ )-reset device (U1) generates an active-low output (active-low RSTA) whenever  $V_{BATT}$  equals 4.63V. The output of a micropower latching comparator (U2) causes active-low RSTB to transition low if  $V_{BATT}$  is less than 2.5V. These outputs from U1 and U2 are ORed by diodes D1 and D2, generating a system-shutdown control (active-low RSTC). **Figure 2** demonstrates the relationship between the various reset states and the battery-discharge profile.

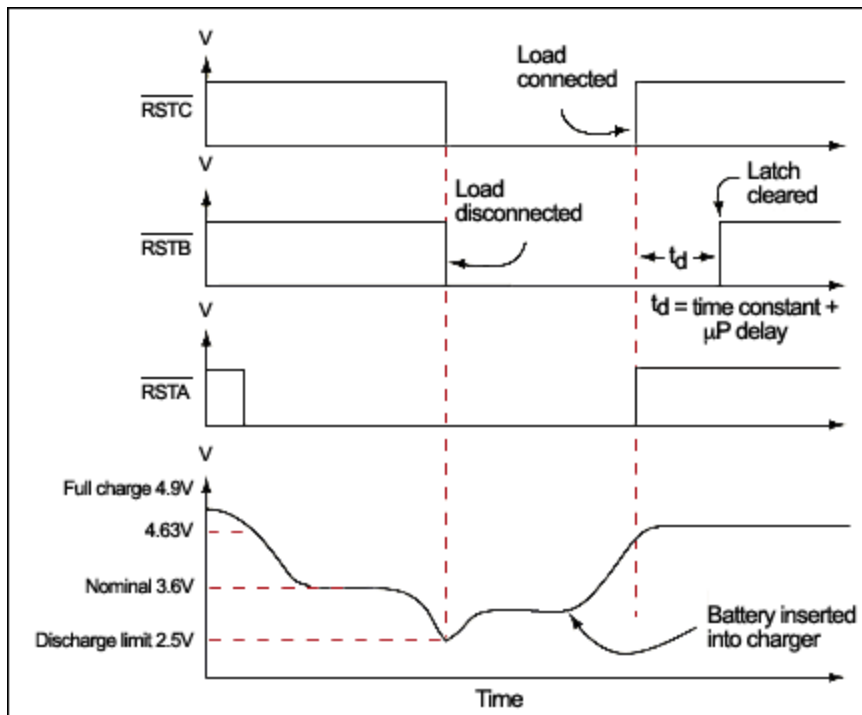


Figure 2. The response of the three reset signals in Figure 1 is shown over a typical discharge-charge cycle. The battery voltage profile is displayed in the bottom waveform.

When  $V_{BATT}$  is less than 2.5V, active-low RSTC disconnects Load1 from the battery by shutting down U3. U3 is a low-noise low-dropout linear regulator in an SOT-23 package. It has a preset output of 2.5V, a maximum ground-pin current of 180 $\mu A$  (when supplying 150mA), and a supply current of only 10nA during shutdown.

If  $V_{BATT}$  is greater than 4.63V, the circuit releases active-low RSTC. As a result, U3 comes out of shutdown and delivers power to the  $\mu P$ . Another  $\mu P$  supervisor (U4) holds the active-low RSTD signal low until the microprocessor's  $V_{CC}$  exceeds 2.2V. Once active-low RSTD is released, the  $\mu P$  begins operating and clears U2 by pulsing its CLR input high for 1 $\mu s$ .

A similar version of this article appeared in the April 30, 2001 issue of *Electronic Design*.

## Related Parts

<a href="#">MAX6326</a>	3-Pin, Ultra-Low-Power SC70/SOT $\mu$ P Reset Circuits	<a href="#">Free Samples</a>
<a href="#">MAX6346</a>	3-Pin, Ultra-Low-Power SC70/SOT $\mu$ P Reset Circuits	<a href="#">Free Samples</a>

---

### More Information

For Technical Support: <http://www.maximintegrated.com/support>

For Samples: <http://www.maximintegrated.com/samples>

Other Questions and Comments: <http://www.maximintegrated.com/contact>

---

Application Note 608: <http://www.maximintegrated.com/an608>

APPLICATION NOTE 608, AN608, AN 608, APP608, Appnote608, Appnote 608

Copyright © by Maxim Integrated Products

Additional Legal Notices: <http://www.maximintegrated.com/legal>