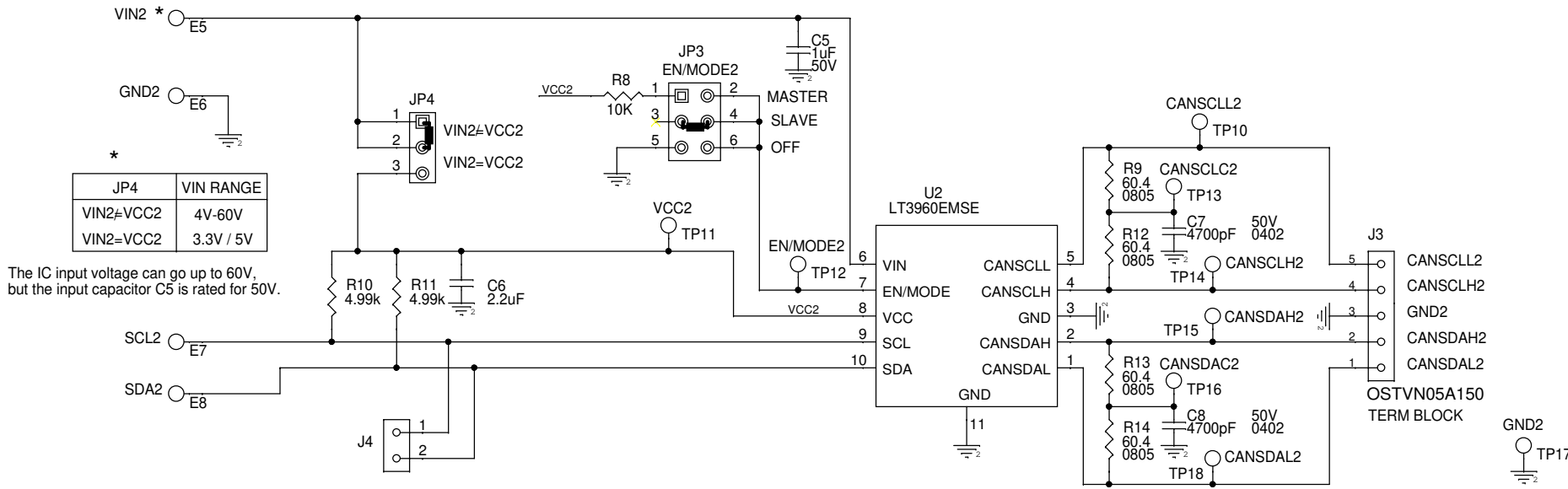


JP2	VIN RANGE
VIN1≠VCC1	4V-60V
VIN1=VCC1	3.3V / 5V

The IC input voltage can go up to 60V, but the input capacitor C1 is rated for 50V.





JP4	VIN RANGE
VIN2≠VCC2	4V-60V
VIN2=VCC2	3.3V / 5V

The IC input voltage can go up to 60V, but the input capacitor C5 is rated for 50V.

NOTE: UNLESS OTHERWISE SPECIFIED

- ALL RESISTORS ARE 0603.
- ALL CAPACITORS ARE 0603.

<p>CUSTOMER NOTICE</p> <p>ANALOG DEVICES HAS MADE A BEST EFFORT TO DESIGN A CIRCUIT THAT MEETS CUSTOMER-SUPPLIED SPECIFICATIONS; HOWEVER, IT REMAINS THE CUSTOMER'S RESPONSIBILITY TO VERIFY PROPER AND RELIABLE OPERATION IN THE ACTUAL APPLICATION. COMPONENT SUBSTITUTION AND PRINTED CIRCUIT BOARD LAYOUT MAY SIGNIFICANTLY AFFECT CIRCUIT PERFORMANCE OR RELIABILITY. CONTACT ANALOG DEVICES APPLICATIONS ENGINEERING FOR ASSISTANCE.</p>		 	
		<p>www.analog.com</p>	
<p>TITLE: SCHEMATIC</p> <p>I²C TO CAN-PHYSICAL TRANSCEIVER</p>			
<p>IC NO. LT3960EMSE</p> <p>SKU NO. EVAL-LT3960-AZ</p>		<p>SCHEMATIC NO. AND REVISION:</p> <p>EVAL-LT3960-AZ_REV02</p>	
<p>SIZE: N/A</p>	<p>DATE: Thursday, February 25, 2021</p>	<p>SHEET 1 OF 1</p>	

THIS CIRCUIT IS PROPRIETARY TO ANALOG DEVICES AND SUPPLIED FOR USE WITH ANALOG DEVICES PARTS.