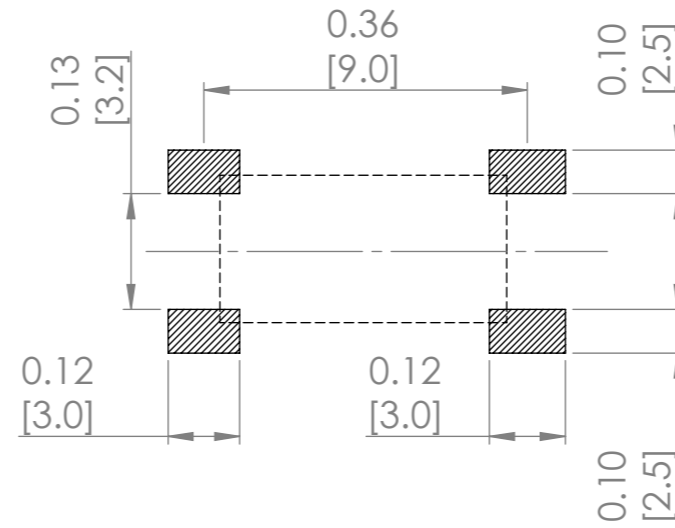
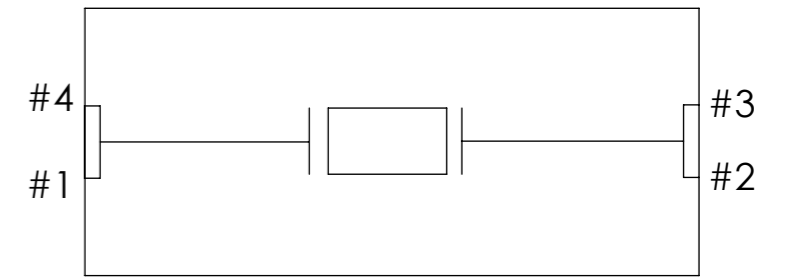


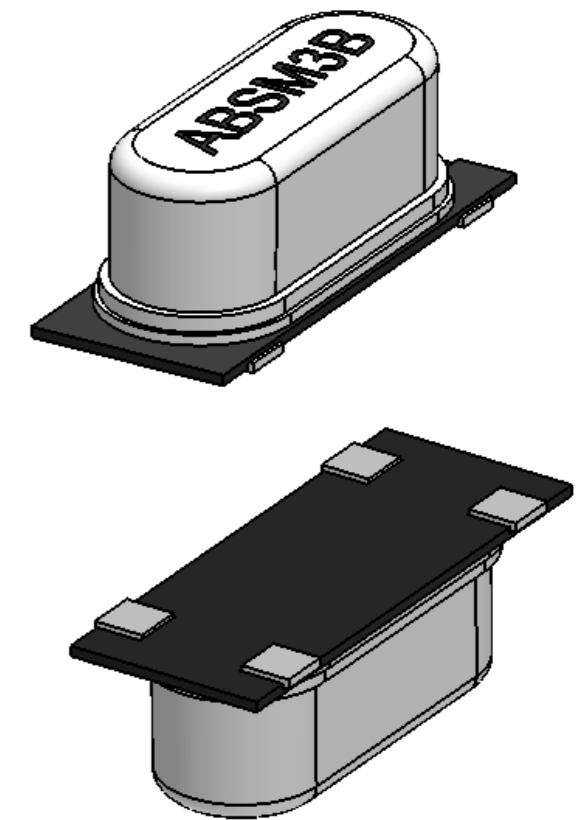
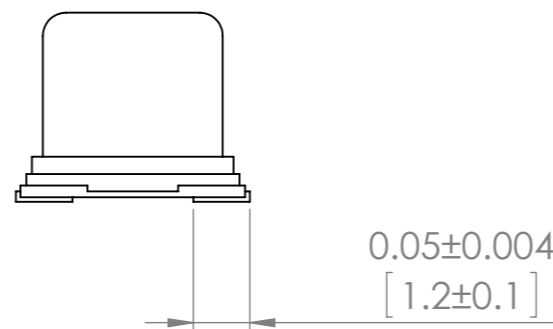
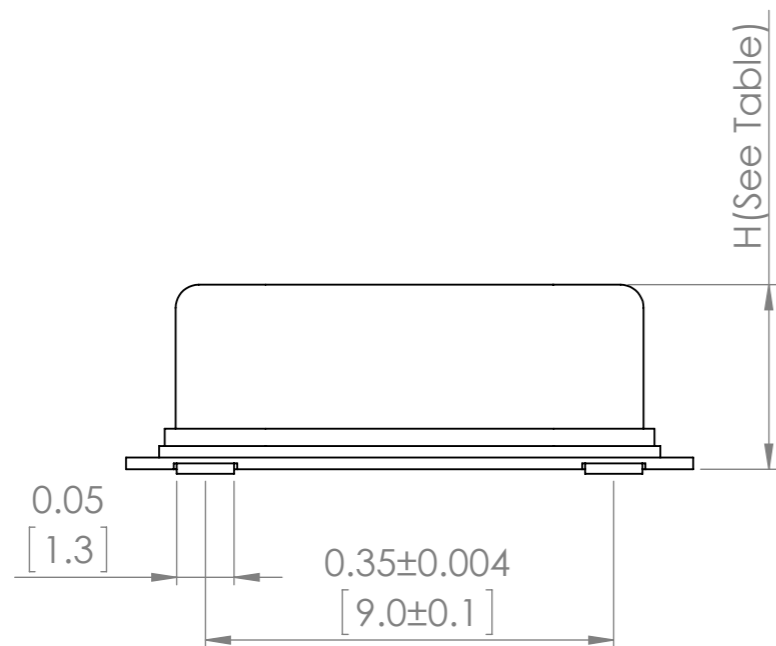
Recommended Land Pattern




INTERNAL CONNECTIONS



Part No	H (max.)
ABSM3B	0.20 (5.1)
ABSM32B	0.18 (4.5)
ABSM33B	0.15 (3.8)



TOP PACKAGE MARKING IS FOR ILLUSTRATION PURPOSES ONLY

UNLESS OTHERWISE SPECIFIED: DIMENSIONS ARE IN INCH(MM) SURFACE FINISH: TOLERANCES: LINEAR: ANGULAR:				FINISH:		DEBUR AND BREAK SHARP EDGES		DO NOT SCALE DRAWING		REVISION -	
DRAWN SAAZVAT				SIGNATURE		DATE		 <p>30332 Esperanza, Rancho Santa margarita, California 92688</p> <p>TITLE: Crystal</p> <p>DWG NO. ABSM3B</p> <p>A3</p>			
CHK'D XXXXXX											
APPV'D											
MFG											
Q.A											
						MATERIAL:		SCALE:6:1		SHEET 1 OF 1	
						WEIGHT: 0.00					