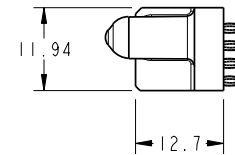
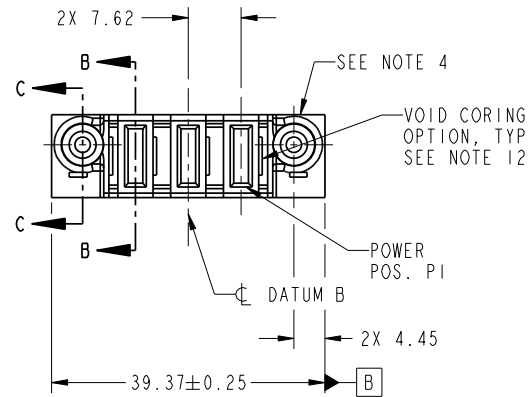


Tous droits strictement réservés. Reproduction ou communication o des liens interdite sous quelque forme que ce soit sans autorisation écrite du propriétaire. Propriete de c FCI. Droits de reproduction FCI.

All rights strictly reserved. Reproduction or issue to third parties in any form whatever is not permitted without written authority from the proprietor. Property of FCI. Copyright FCI.



PRODUCT NO. 51940-379-- NOTE: 3	POWER				
	E2	P3	P2	P1	E1



CODE	DIM "M" MATING LENGTH	CONTACT TYPE
PF	[2.34]	POWER
PC	[1.07]	POWER

mat'l code				SEE NOTES		tolerances unless otherwise specified		CUSTOMER		FCI www.fciconnect.com	
lfr	ecn no.	dr	date	linear	0.X ±0.5	projection		COPY			
A	DG10-0432	HZ	12/10/10	angles	0.XX ±0.25			title			
				dr	0.XXX ±0.1	MM		3ACP			
				engr	0° ±2°	scale		VERTICAL PRESS-FIT RECEPT			
				chr	Helen Zhang 12/10/10	1:1		product family		code	
				appd	Jerome Chen 12/10/10			PwrBlade		213	
sheet index	revision sheet	A	A	A	PM Zheng 12/10/10			size		sheet	
		1	2	3	Joseph Hsia 12/10/10			A		1 of 4	
								51940-379			

Pro/E

cage code 22526

PDM: Rev:A

STATUS: Released

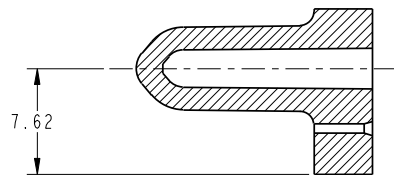
Printed: Dec 22, 2010

Tous droits strictement reserves. Reproduction ou communication a des tiers interdite sous quelque forme que ce soit sans autorisation écrite du propriétaire. Propriete de c FCI. Droits de reproduction FCI.

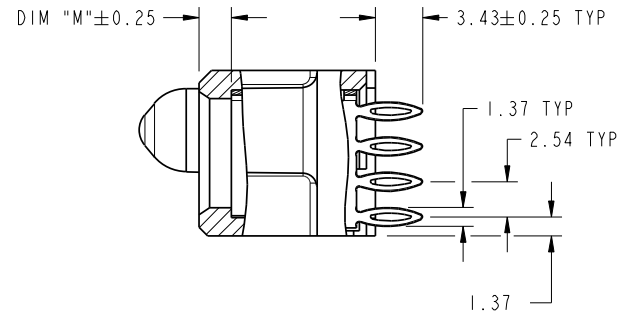
All rights strictly reserved. Reproduction or issue to third parties in any form whatever is not permitted without written authority from the proprietor. Property of FCI. Copyright FCI.



PRODUCT NUMBER  
51940-379..  
NOTE: 3



SECTION C-C  
SCALE 2:1



SECTION B-B  
SCALE 2:1

mat'l code				tolerances unless otherwise specified		CUSTOMER		FCI	
lfr	ecn no.	dr	date	linear	0.X ±0.5	COPY		www.fciconnect.com	
A				linear	0.XX ±0.25	projection	title		
				angles	0.XXX ±0.1			3ACP	
				dr	0° ±2°			VERTICAL PRESS-FIT RECEPT	
				engr	Helen Zhang 12/10/10	MM		product family	PwrBlade
				chr	Jerome Chen 12/10/10	scale		size	code
				appd	PM Zheng 12/10/10	1:1		51940-379	213
					Joseph Hsia 12/10/10			sheet	2 of 4
sheet index	revision sheet								



www.fciconnect.com

MM

1:1

A

51940-379

PwrBlade

code

213

sheet

2 of 4

Pro/E

cage code 22526

PDM: Rev:A

STATUS: Released

Printed: Dec 22, 2010

Tous droits strictement réservés. Reproduction ou communication o des liens interdite sous quelque forme que ce soit sans autorisation écrite du propriétaire. Propriete de c FCI. Droits de reproduction FCI.



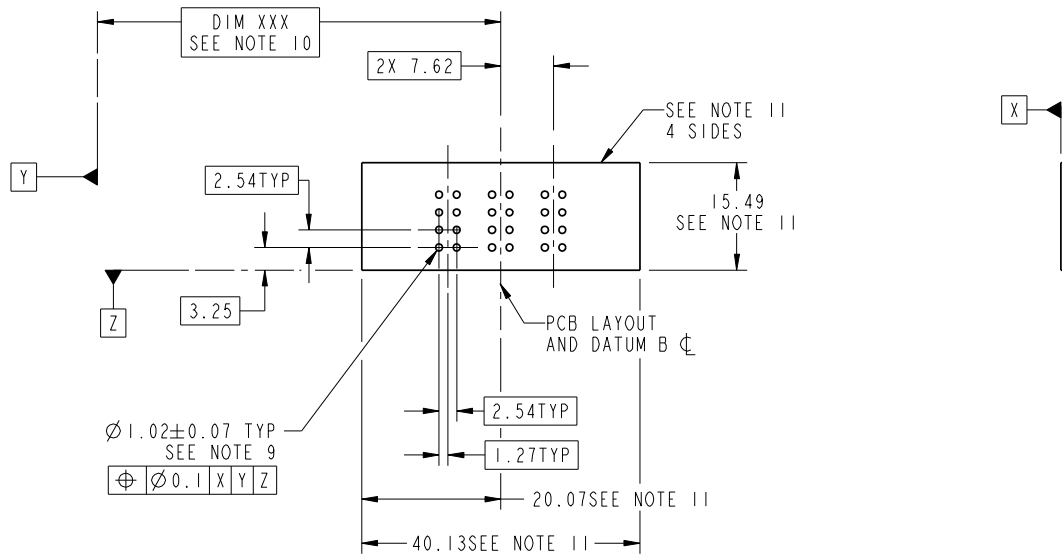
All rights strictly reserved. Reproduction or issue to third parties in any form whatever is not permitted without written authority from the proprietor. Property of FCI. Copyright FCI.

PRODUCT NUMBER  
51940-379..  
NOTE: 3

1 | 2

3 |

4



A

A

B

B

1 | 2

3 |

4

mat'l code				tolerances unless otherwise specified		CUSTOMER		FCI	
lfr	ecn no.	dr	date	linear	0.X ± 0.5	COPY		www.fciconnect.com	
A				linear	0.XX ± 0.25	projection	title		
				angles	0.XXX ± 0.1		3ACP		
				dr	0° ± 2°	MM	VERTICAL PRESS-FIT RECEPT		
				engr	Helen Zhang 12/10/10	scale	product family	PwrBlade	code
				chr	Jerome Chen 12/10/10	1:1	size	dwg no	213
				appd	PM Zheng 12/10/10		A	51940-379	sheet
sheet index	revision sheet								3 of 4

Pro/E

cage code 22526

PDM: Rev:A

STATUS: Released

Printed: Dec 22, 2010

Tous droits strictement réservés. Reproduction ou communication o des liens interdite sous quelque forme que ce soit sans autorisation écrite du propriétaire. Propriete de c FCI. Droits de reproduction FCI.



All rights strictly reserved. Reproduction or issue to third parties in any form whatever is not permitted without written authority from the proprietor. Property of FCI. Copyright FCI.

PRODUCT NUMBER  
51940-379..  
NOTE: 3

NOTES:

1. DIMENSIONS AND TOLERANCES ARE IN ACCORDANCE WITH ASME Y14.5M, 1994 UNLESS OTHERWISE SPECIFIED.

CONNECTOR NOTES:

- ② HOUSING MATERIAL: UL 94 V-0 GLASS FILLED HIGH-TEMP THERMOPLASTIC  
POWER CONTACT MATERIAL: COPPER ALLOY  
SIGNAL PIN MATERIAL: COPPER ALLOY
- 3. SEE ITEM 7 & 8 IN PRINT 10064183 FOR PLATING SPEC OF 51940-379 AND 51940-379LF RESPECTIVELY.
- ④ MANUFACTURER'S NAME, P/N, AND DATE CODE TO APPEAR ON THIS SURFACE.
- 5. PRODUCT SPECIFICATION GS-12-149.  
APPLICATION SPECIFICATION BUS-20-067.

6. PACKAGED IN TRAYS.

PCB NOTES:

7. ALL HOLE DIAMETERS ARE FINISHED HOLE SIZE.

⑧ MOUNTING HOLES, WHERE APPLICABLE, ARE UNPLATED.

⑨  $\varnothing 1.151 \pm 0.025$  DRILLED HOLES PLATED WITH  
0.008 MIN SnPb OR Sn OVER 0.03  
TO 0.08 Cu PLATING TO ACHIEVE  
 $\varnothing 1.02 \pm 0.07$  HOLE.

⑩ "DIM XXX" TO BE DETERMINED BY THE CUSTOMER.

⑪ CONNECTOR KEEP-OUT ZONE.

12. THE VOID CORING IN BETWEEN POWER MODULES, SIGNAL MODULES AND END MODULES ARE OPTIONAL AND THE SHAPE MAY BE DIFFERENT FOR OPTIMIZE THE MOLDING PROCESS. THE VOID CORING WILL NOT EFFECT TO PRODUCT FUNCTION.

mat'l code				tolerances unless otherwise specified		CUSTOMER		FCI		www.fciconnect.com	
lfr	ecn no.	dr	date	linear	0.X ± 0.5	COPY		projection		title	
A					0.XX ± 0.25	←		↗		3ACP	
				angles	0.XXX ± 0.1	↖		↘		VERTICAL PRESS-FIT RECEPT	
				dr	0° ± 2°	MM		product family		PwrBlade	code
				engr	Helen Zhang 12/10/10	←		size		dwg no	213
				chr	Jerome Chen 12/10/10	↔		A		51940-379	sheet
				appd	PM Zheng 12/10/10	scale		1:1			4 of 4
					Joseph Hsia 12/10/10						
sheet index	revision sheet										

Pro/E

cage code 22526

PDM: Rev:A

STATUS: Released

Printed: Dec 22, 2010