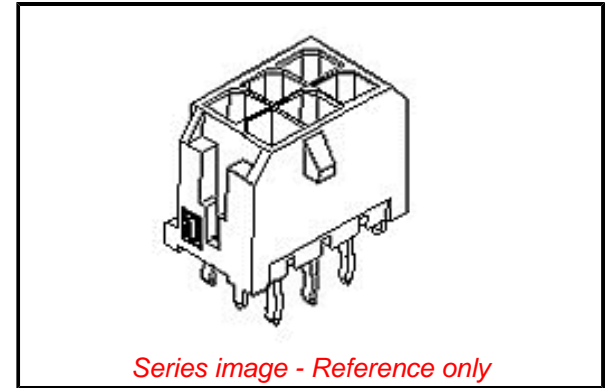


PLEASE CHECK WWW.MOLEX.COM FOR LATEST PART INFORMATION

Part Number: [0440672201](#)
Status: **Active**
Overview: Micro-Fit Connector System
Description: Micro-Fit 3.0 Wire-to-Board Header, Dual Row, Vertical for up to 3.56mm Thick PCB, 22 Circuits, Tin (Sn) Plating

Documents:

3D Model	Test Summary 430450005-TS-000 (PDF)
Drawing (PDF)	Test Summary TS-43045-001-001 (PDF)
3D Model (PDF)	Test Summary TS-43045-002-001 (PDF)
Product Specification 430450001-PS-KO-000 (PDF)	Test Summary TS-46235-001-001 (PDF)
Product Specification 430450001-PS-SP-000 (PDF)	Symbol Footprint Data SYM-44067-220X-001 (PDF)
Product Specification PS-43045-001 (PDF)	RoHS Certificate of Compliance (PDF)
Packaging Specification PK-70873-0314-001 (PDF)	



General

Product Family	PCB Headers
Series	44067
Application	Power, Wire-to-Board
Comments	High Temperature, Polarization Key to PCB
Overview	<u>Micro-Fit Connector System</u>
Product Name	Micro-Fit 3.0
UPC	800756476414

Physical

Breakaway	No
Circuits (Loaded)	22
Circuits (maximum)	22
Color - Resin	Black
Durability (mating cycles max)	30
First Mate / Last Break	No
Glow-Wire Capable	No
Guide to Mating Part	No
Keying to Mating Part	None
Lock to Mating Part	Yes
Material - Plating Mating	Tin
Material - Plating Termination	Tin
Material - Resin	High Temperature Thermoplastic
Net Weight	2.983/g
Number of Rows	2
Orientation	Vertical
PC Tail Length	4.01mm
PCB Locator	Yes
PCB Retention	Yes
PCB Thickness - Recommended	3.60mm
Packaging Type	Tray
Pitch - Mating Interface	3.00mm
Pitch - Termination Interface	3.00mm
Plating min - Mating	2.540µm
Plating min - Termination	2.540µm
Polarized to PCB	Yes
Shrouded	Fully
Stackable	No
Surface Mount Compatible (SMC)	Yes
Temperature Range - Operating	-40° to +105°C
Termination Interface: Style	Through Hole - Kinked Pin

EU ELV

Not Relevant

EU RoHS

Compliant

REACH SVHC

Not Contained Per -
D(2021)4569-DC (8
July 2021)

Halogen-Free

Status

Low-Halogen

For more information, please visit [Contact US](#)

China ROHS

ELV

RoHS Phthalates

China RoHS

Green Image

Not Relevant

Not Contained

Search Parts in this Series

[44067](#) Series

Mates With

[43025](#) Micro-Fit 3.0 Receptacle Housing

Electrical

Current - Maximum per Contact 8.5A
Voltage - Maximum 250V

Solder Process Data

Duration at Max. Process Temperature (seconds) 030
Lead-free Process Capability SMC&WAVE
Max. Cycles at Max. Process Temperature 003
Process Temperature max. C 260

Material Info**Reference - Drawing Numbers**

Packaging Specification PK-70873-0314-001
Product Specification 430450001-PS-KO-000, 430450001-PS-SP-000,
PS-43045-001
Sales Drawing SD-44067-001-001
Symbol/Footprint Data SYM-44067-220X-001
Test Summary 430450005-TS-000, TS-43045-001-001,
TS-43045-002-001, TS-46235-001-001

This document was generated on 10/14/2021

PLEASE CHECK WWW.MOLEX.COM FOR LATEST PART INFORMATION