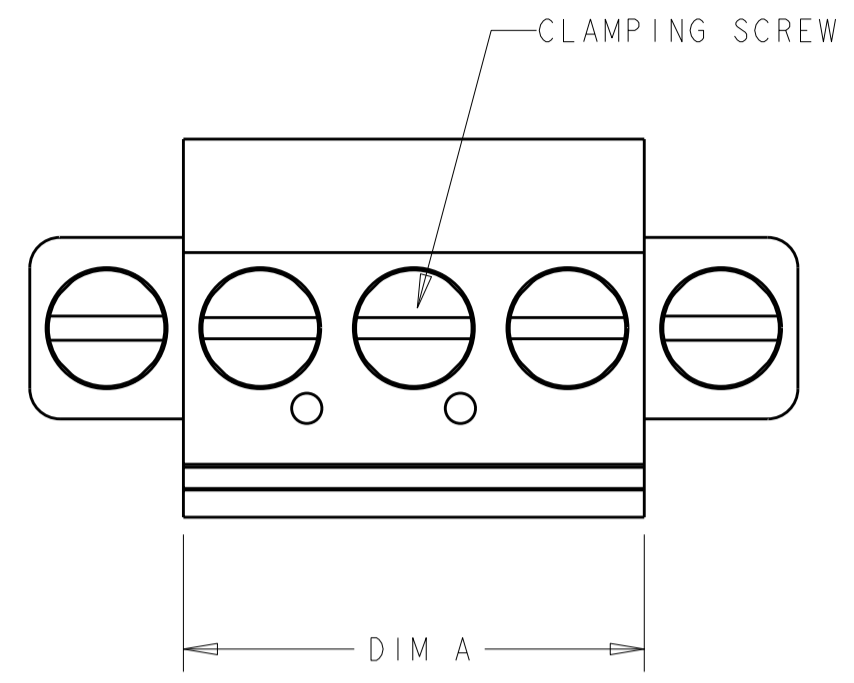


THIS DRAWING IS UNPUBLISHED. RELEASED FOR PUBLICATION 20
 © COPYRIGHT 20 BY TYCO ELECTRONICS CORPORATION. ALL RIGHTS RESERVED.

| LOC | DIST | REVISIONS | | | | | |
|-----|------|-----------|-----|---------------------------|-----------|-----|------|
| FT | 0 | P | LTR | DESCRIPTION | DATE | DWN | APVD |
| | | 2 | | REVISED PER ECO-09-011794 | 15MAY2009 | HMR | CR |

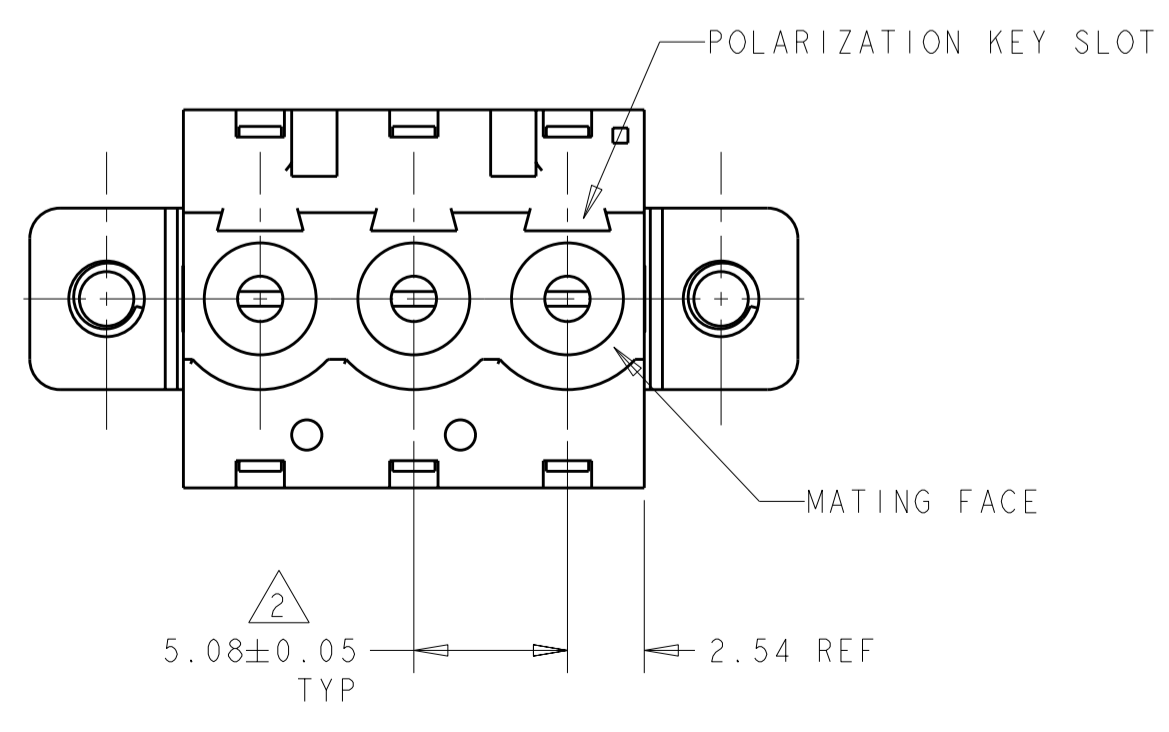
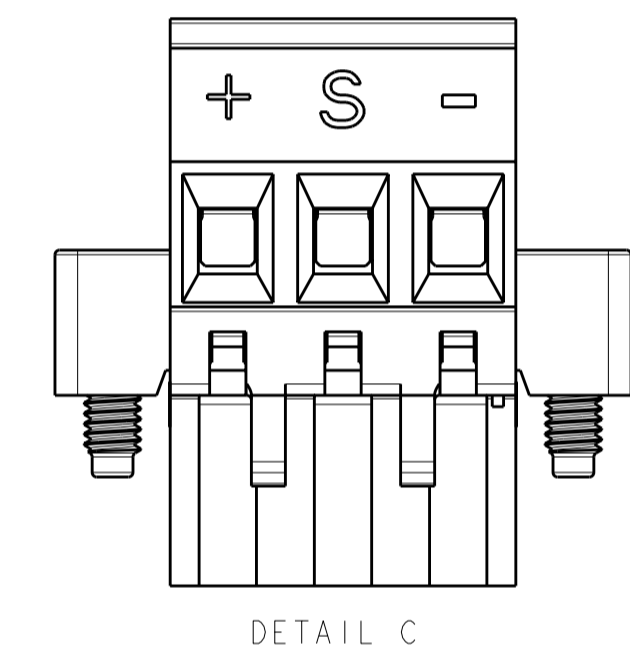
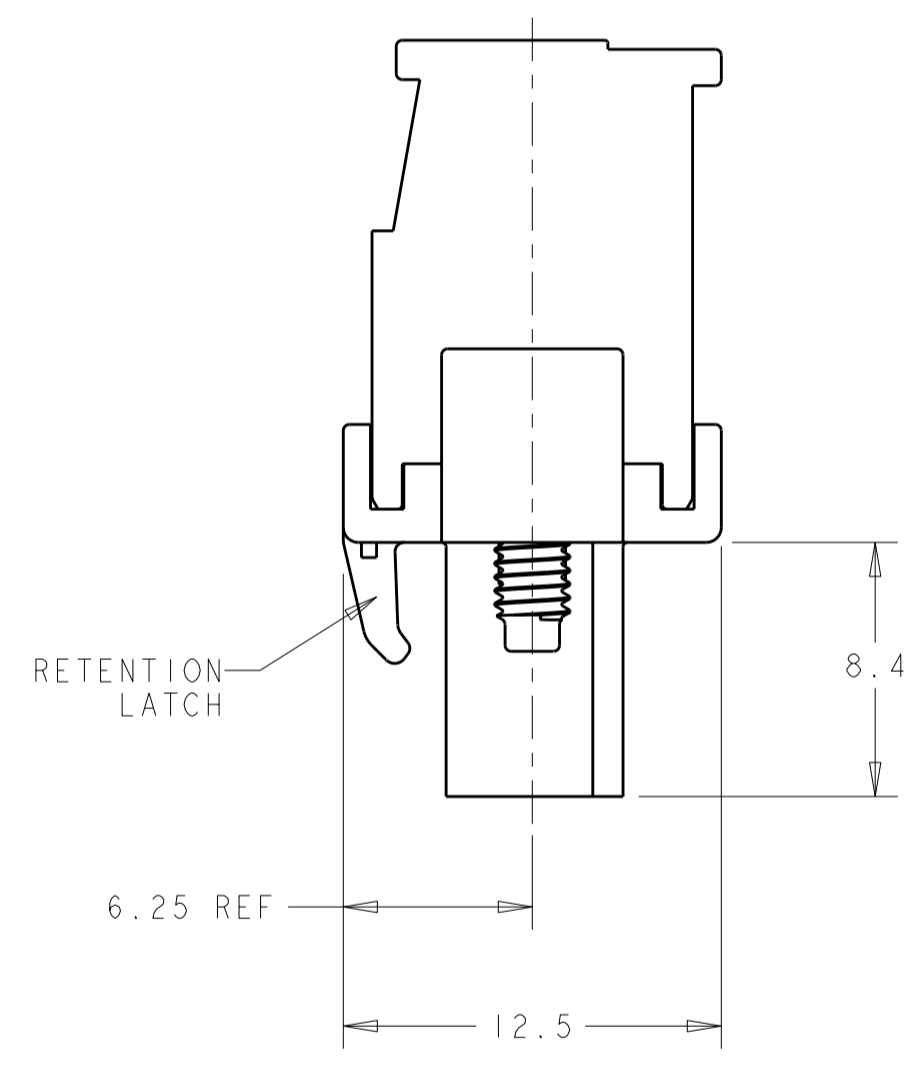
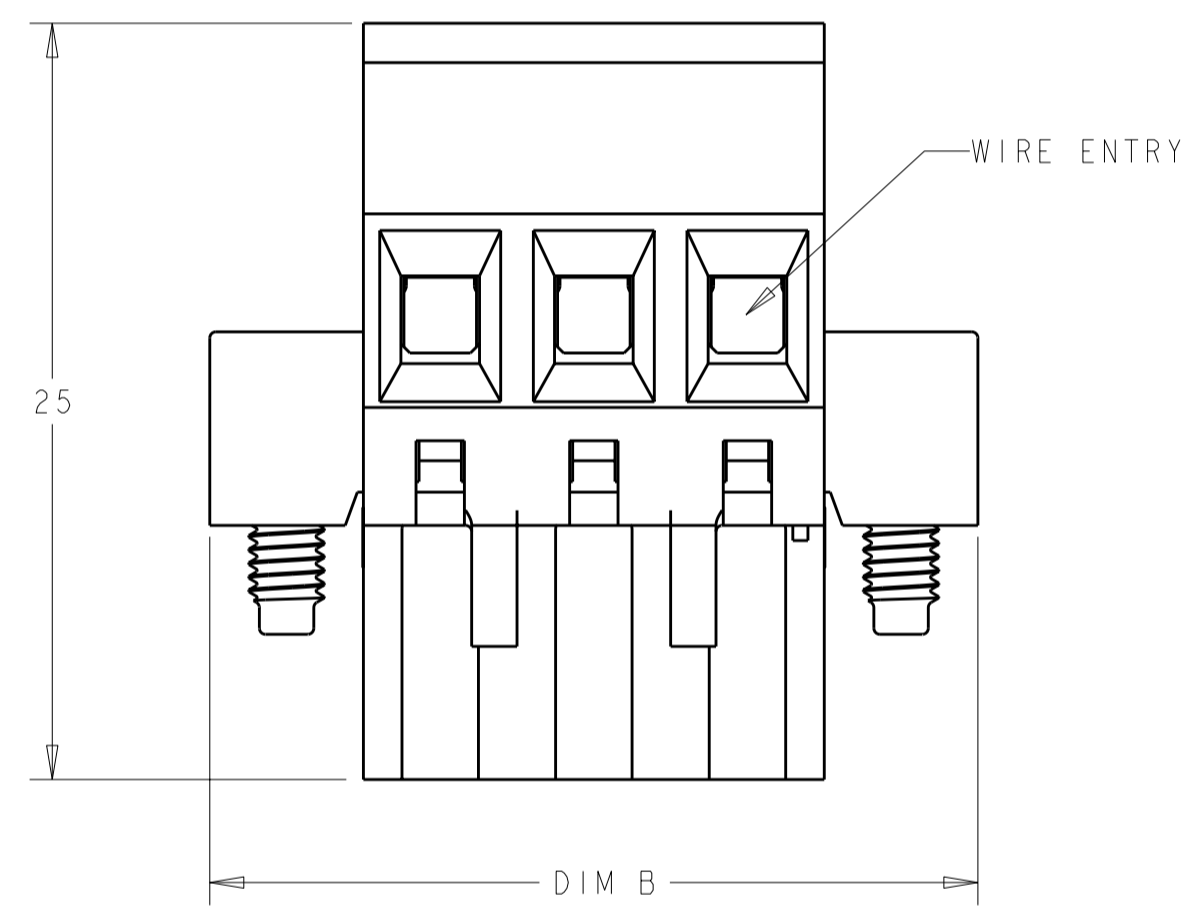


1 MATERIALS AND FINISH:
 HOUSING: PA 6-6, UL 94-V0, COLOR: BLACK.
 CLAMP: BRASS, NICKEL PLATED.
 CONTACT SPRING: PHOSPHOR BRONZE, TIN PLATED.
 CLAMPING SCREW: M3, BRASS, NICKEL PLATED.

2 NOT CUMULATIVE TOLERANCE.

3. WIRE SIZE RANGE: 12 - 30 AWG

4. SPECIAL INK MARKING IN WHITE.



| DETAIL C | B | A | POSN | PART NUMBER |
|----------|--------|--------|------|-------------|
| | 35.56 | 25.40 | 3 | 1-1986480-3 |
| | 127.00 | 116.84 | 12 | 1-1986480-2 |
| | 116.84 | 106.68 | 11 | 1-1986480-1 |
| | 106.68 | 96.52 | 10 | 1-1986480-0 |
| | 96.52 | 86.36 | 9 | 1986480-9 |
| | 86.36 | 76.20 | 8 | 1986480-8 |
| | 76.20 | 66.04 | 7 | 1986480-7 |
| | 66.04 | 55.88 | 6 | 1986480-6 |
| | 55.88 | 45.72 | 5 | 1986480-5 |
| | 45.72 | 35.56 | 4 | 1986480-4 |
| | 35.56 | 25.40 | 3 | 1986480-3 |
| | 25.40 | 15.24 | 2 | 1986480-2 |

THIS PRINT IS
PRELIMINARY
 THE INFORMATION CONTAINED IN THIS DOCUMENT
 IS CONFIDENTIAL AND PROPRIETARY TO TYCO ELECTRONICS
 DO NOT REPRODUCE OR DISTRIBUTE
 DESIGN IS SUBJECT TO CHANGE WITHOUT NOTICE

| | | | |
|--|--|---|--|
| THIS DRAWING IS A CONTROLLED DOCUMENT FOR TYCO ELECTRONICS CORPORATION IT IS SUBJECT TO CHANGE AND THE CONTROLLING ENGINEERING ORGANIZATION SHOULD BE CONTACTED FOR THE LATEST REVISION. | | DWN S SCHLEGEL 08OCT2008 CHK C RICHARD 08OCT2008 APVD C RICHARD 08OCT2008 | Tyco Electronics Harrisburg, PA 17105-3608 |
| DIMENSIONS: mm | TOLERANCES UNLESS OTHERWISE SPECIFIED: 0 PLC ±0 1 PLC ±.3 2 PLC ±.25 3 PLC ±0 4 PLC ±0 ANGLES ±2° FINISH | PRODUCT SPEC APPLICATION SPEC WEIGHT | NAME TERMINAL BLOCK VERTICAL PLUG RIGHT HAND, W/ LOCKING SCREW 5.08mm PITCH |
| MATERIAL | DIMENSIONS: mm | WEIGHT | SIZE A2 CAGE CODE 00779 DRAWING NO C-1986480 RESTRICTED TO |
| CUSTOMER DRAWING | | SCALE 3:1 | SHEET 1 OF 1 REV 2 |