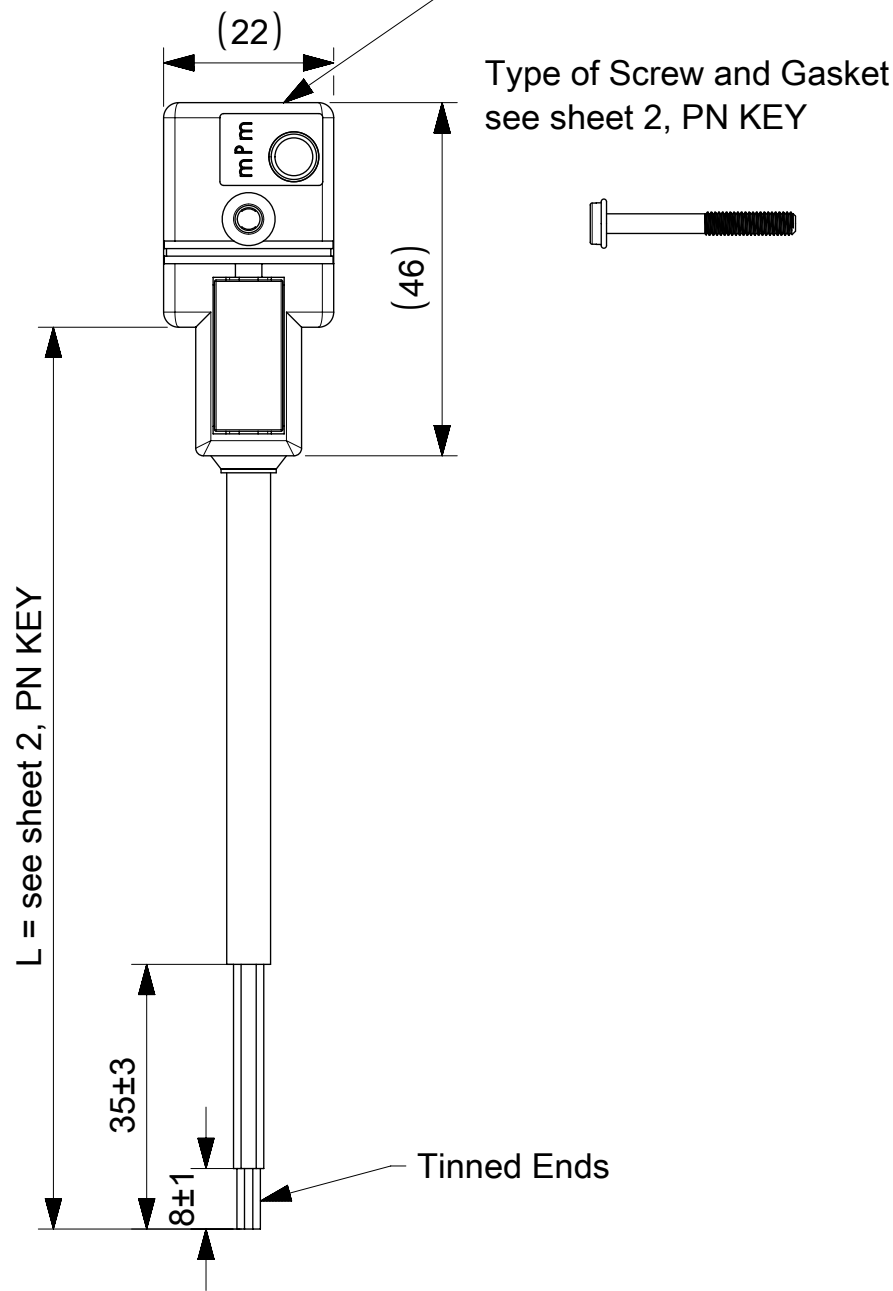


Circuit Tampoprint / White



Face View (see Insert Orientation)

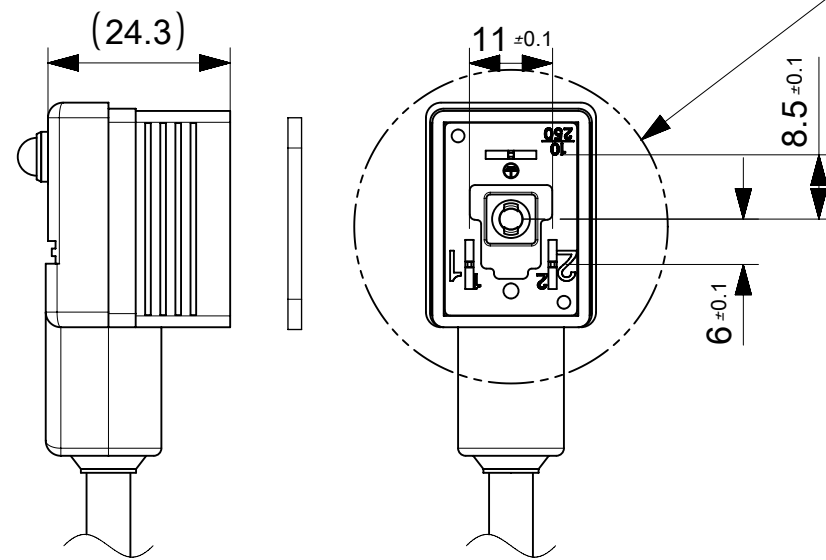
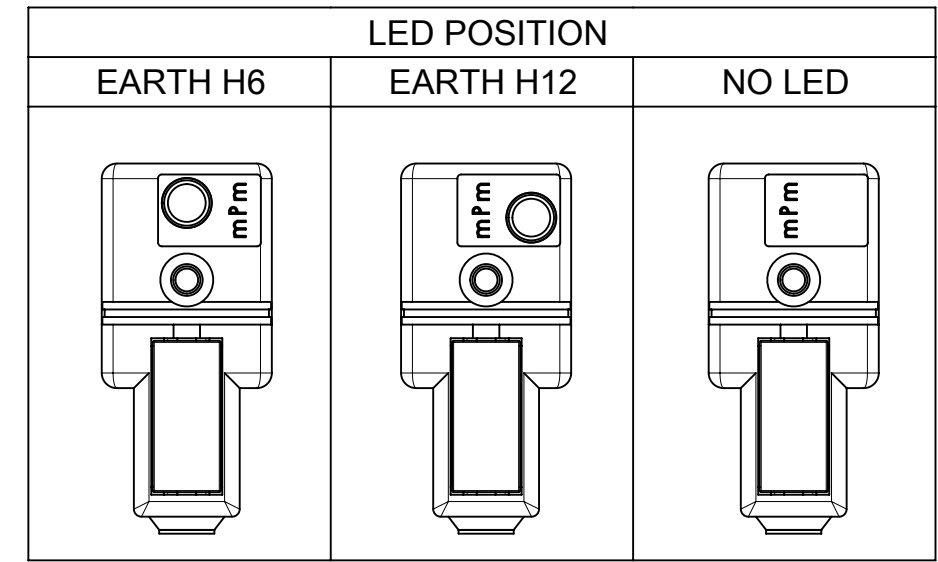
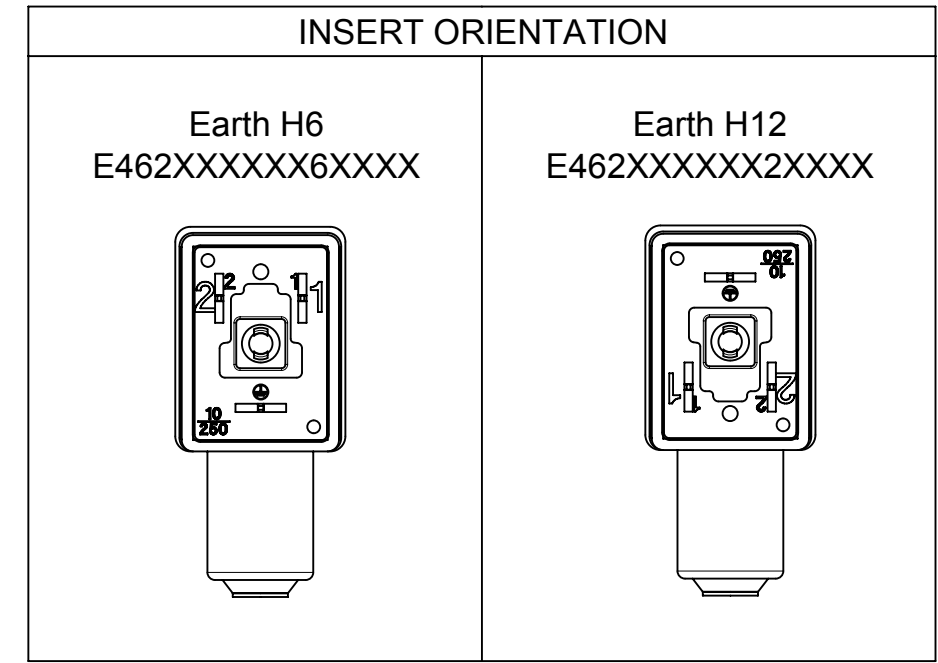
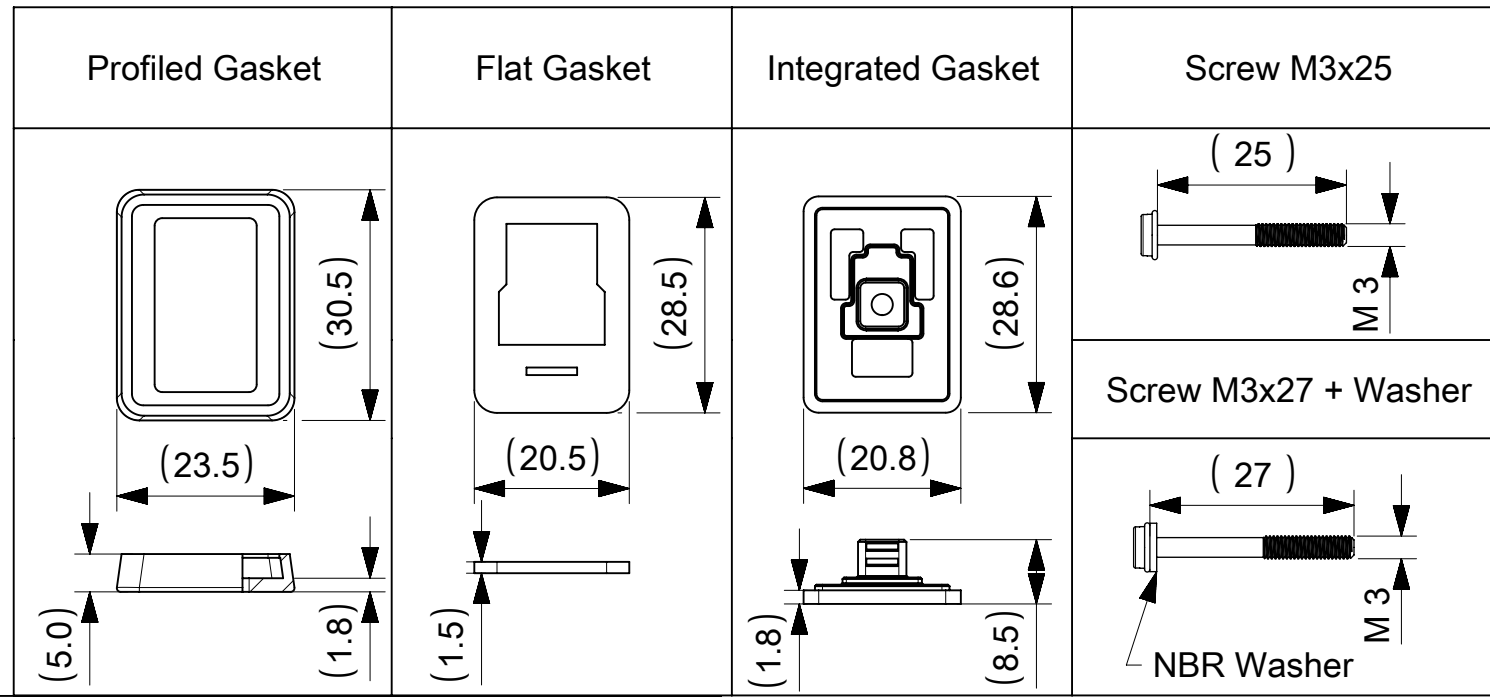


TABLE OF LENGTH TOLERANCES [mm]

Over	Up to and Including	Tolerance
0	1000	±20
1000	3000	±30
3000	5000	±40
5000	10000	±50
10000	15000	±100
15000	20000	±150
20000		±L/100



Type of Screws and Gaskets



SYMBOLS	THIS DRAWING CONTAINS INFORMATION THAT IS PROPRIETARY TO MOLEX ELECTRONIC TECHNOLOGIES, LLC AND SHOULD NOT BE USED WITHOUT WRITTEN PERMISSION		CURRENT REV DESC:	
▽ = 0	DIMENSION UNITS	SCALE		
▽ = 0	mm	1:1		
▽ = 0	GENERAL TOLERANCES (UNLESS SPECIFIED)			
▽ = 0	ANGULAR TOL ± °			
▽ = 0	4 PLACES ±			
▽ = 0	3 PLACES ±			
▽ = 0	2 PLACES ± 0.05			
▽ = 0	1 PLACE ± 0.1			
▽ = 0	0 PLACES ±			
□ = 0	DRAFT WHERE APPLICABLE MUST REMAIN WITHIN DIMENSIONS			
○ = 0	THIRD ANGLE PROJECTION	DRAWING	SERIES	MATERIAL NUMBER
		A3-SIZE	121050	SEE 1210501000_PDP
	CUSTOMER		DOCUMENT NUMBER	DOC TYPE
	GENERAL MARKET		1210501000	PSD
	SHEET NUMBER		DOC PART	REVISION
	1 OF 3		000	A

PN KEY ENGINEERING PN

E 4 6 2 X X X X X X X X X X X X

E - Packing without bag
W - Single Packing

Number of wires:
2 - 2 Wires + Earth

Cable type:
See Table

Head Colour:
G - Grey
N - Black
A - CSA-UL Black
B - CSA-UL Grey

Cable Length in[cm]
050 = 50cm
300 = 300cm
10K = 1000cm

Wiring Configuration:
See sheet 3

Voltage and Led Colour

Red Led:	Green Led:	Yellow Led:
1 = 12V	A = 12V	G = 12V
2 = 24V	B = 24V	H = 24V
3 = 48V	C = 48V	K = 48V
4 = 115V	D = 115V	L = 115V
5 = 230V	E = 230V	M = 230V

Earth PIN location (see insert orientation table):
2 = Earth on H12
6 = Earth on H6

Type of Gasket and Screw (see sheet 1):
1 = NBR Profile Gasket + Fixing Screw M3x25mm
2 = NBR Flat Gasket + Fixing Screw M3x25mm
3 = Silicone Profile Gasket + Fixing Screw M3x25mm
4 = Silicone Flat Gasket + Fixing Screw M3x25mm
P = NBR Integrated Gasket + Fixing Screw with Washer M3x27mm Assembled on Connector
R = NBR Integrated Gasket + Fixing Screw with Washer M3x27mm NOT Assembled on Connector
T = NBR Profile Gasket + Fixing Screw with Washer M3x27mm

CABLE TYPE	NO. OF WIRES	CROSS SECTION	CABLE O.D.	CABLE JACKET	UL	CSA	STATIC: TEMP. / BENDING RADIUS	DYNAMIC: TEMP. / BENDING RADIUS	SHIELD
A2	3	AWG 20	5.6mm±0.2	PVC BLACK	UL 2661	CSA C22.2	-30°C to +105°C, 10xO.D.	-5°C to +105°C, 15xO.D.	-
A3	3	AWG 18	6.5mm±0.25	PVC BLACK	UL 2661	CSA C22.2	-30°C to +105°C, 10xO.D.	-5°C to +105°C, 15xO.D.	-
B2	3	AWG 20	5.6mm±0.2	PUR BLACK	UL 20668	CSA C22.2	-40°C to +90°C, 5xO.D.	-25°C to +90°C, 10xO.D.	-
B3	3	AWG 18	6.5mm±0.2	PUR BLACK	UL 20668	CSA C22.2	-40°C to +90°C, 5xO.D.	-25°C to +90°C, 10xO.D.	-
F4	3	1mm²	7.1mm+0.2	PVC GREY	-	-	-15°C to +70°C, 10xO.D.	-5°C to +60°C, 15xO.D.	-
I0	3	1mm²	7.6mm±0.2	PVC GREY	-	-	-25°C to +70°C, 10xO.D.	-5°C to +70°C, 15xO.D.	YES
I2	3	0.5mm²	5.5mm+0.3	PVC GREY	-	-	-25°C to +70°C, 10xO.D.	-5°C to +70°C, 15xO.D.	-
I3	3	0.75mm²	6.0mm±0.2	PVC GREY	-	-	-25°C to +70°C, 10xO.D.	-5°C to +70°C, 15xO.D.	-
I4	3	1mm²	7.1mm+0.2	PVC GREY	-	-	-25°C to +70°C, 10xO.D.	-5°C to +70°C, 15xO.D.	-
N2	3	0.5mm²	5.6mm±0.7	PVC BLACK	-	-	-20°C to +70°C, 3xO.D.	-15°C to +70°C, 5xO.D.	-
N3	3	0.75mm²	6.8mm±0.8	PVC BLACK	-	-	-20°C to +70°C, 3xO.D.	-15°C to +70°C, 5xO.D.	-
N4	3	1mm²	7.15mm±0.85	PVC BLACK	-	-	-20°C to +70°C, 3xO.D.	-15°C to +70°C, 5xO.D.	-
P1	3	0.34mm²	5.3mm±0.2	PUR BLACK	-	-	-25°C to +80°C, 10xO.D.	-5°C to +80°C, 15xO.D.	-
P2	3	0.5mm²	5.5mm+0.3	PUR BLACK	-	-	-40°C to +90°C, 7.5xO.D.	-15°C to +90°C, 12.5xO.D.	-
P3	3	0.75mm²	6.5mm±0.2	PUR BLACK	-	-	-40°C to +90°C, 7.5xO.D.	-15°C to +90°C, 12.5xO.D.	-

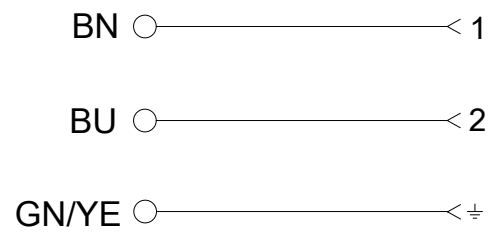
Notes:

- Please see excel sheet 1210501000_PDP for currently configured part numbers.
- Drawing is a replacement for: SD-121050-003

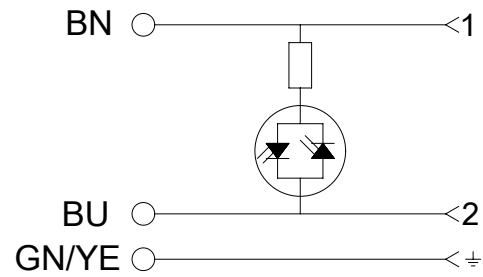
SYMBOLS	THIS DRAWING CONTAINS INFORMATION THAT IS PROPRIETARY TO MOLEX ELECTRONIC TECHNOLOGIES, LLC AND SHOULD NOT BE USED WITHOUT WRITTEN PERMISSION		CURRENT REV DESC:		molex		
	DIMENSION UNITS	SCALE	EC NO: 603741				
	mm	1:1	DRWN: APAWLAK01 2018/07/16		STANDARD E462 DIN FORM INDUSTRIAL		
	GENERAL TOLERANCES (UNLESS SPECIFIED)		CHK'D: RSILLER 2018/08/31		PRODUCT CUSTOMER DRAWING		
ANGULAR TOL	±	APPR: RSILLER 2018/08/31		DOCUMENT NUMBER			
4 PLACES	±	INITIAL REVISION:		1210501000			
3 PLACES	±	DRWN: APAWLAK01 2018/07/16		DOC TYPE			
2 PLACES	± 0.05	APPR: RSILLER 2018/08/31		000			
1 PLACE	± 0.1	MATERIAL NUMBER		REVISION			
0 PLACES	±	SEE 1210501000_PDP		A			
DRAFT WHERE APPLICABLE MUST REMAIN WITHIN DIMENSIONS		THIRD ANGLE PROJECTION	DRAWING	SERIES	CUSTOMER	SHEET NUMBER	
			A3-SIZE	121050	GENERAL MARKET	2 OF 3	

WIRING DIAGRAMS

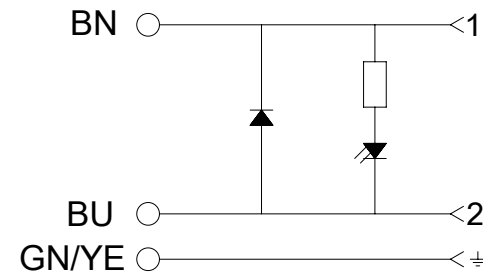
ELECTRICAL DIAGRAM 00



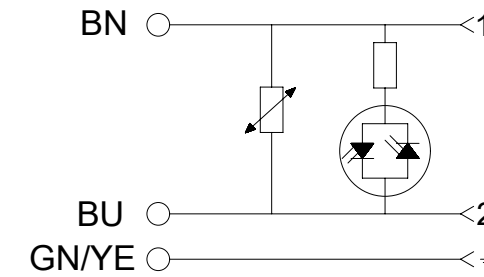
ELECTRICAL DIAGRAM A1



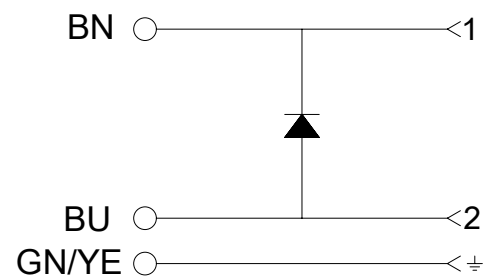
ELECTRICAL DIAGRAM C3



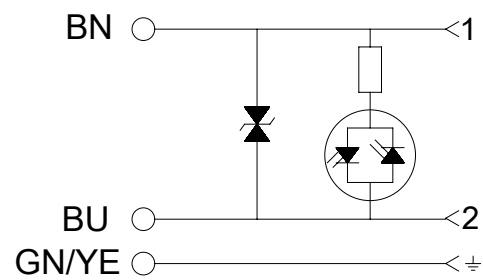
ELECTRICAL DIAGRAM C4



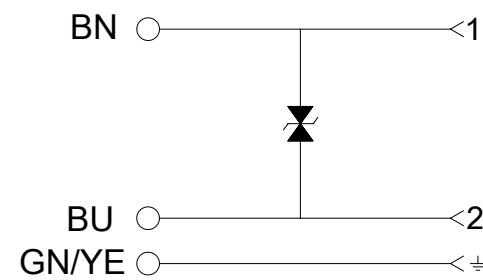
ELECTRICAL DIAGRAM E0



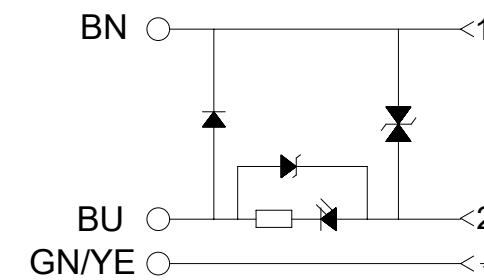
ELECTRICAL DIAGRAM S0



ELECTRICAL DIAGRAM S1



ELECTRICAL DIAGRAM NS



Technical Spec:

Supply Voltage: See PN KEY

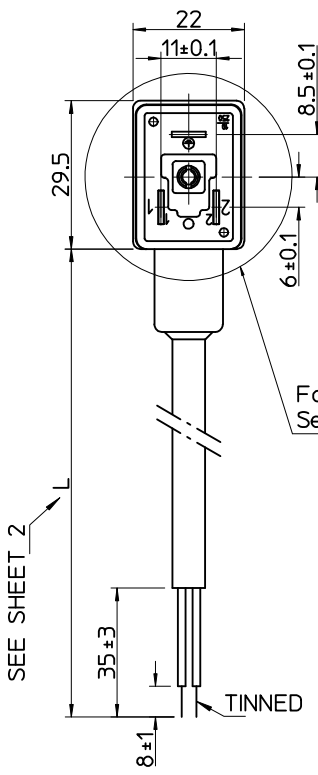
Max. current: 5A; A1-C4-S0
1,5A; R2

Contact Resistance: ≤15milliohms max.

Operating Temperature:
with NBR Gasket: -40°C +90°C
with Silicone: -40°C +125°C

SYMBOLS	THIS DRAWING CONTAINS INFORMATION THAT IS PROPRIETARY TO MOLEX ELECTRONIC TECHNOLOGIES, LLC AND SHOULD NOT BE USED WITHOUT WRITTEN PERMISSION		CURRENT REV DESC:			molex				
	DIMENSION UNITS	SCALE								
▽ = 0	mm	1:1	EC NO: 603741 DRWN: APAWLAK01 2018/07/16 CHK'D: RSILLER 2018/08/31 APPR: RSILLER 2018/08/31 INITIAL REVISION: DRWN: APAWLAK01 2018/07/16 APPR: RSILLER 2018/08/31			STANDARD E462 DIN FORM INDUSTRIAL				
▽ = 0	GENERAL TOLERANCES (UNLESS SPECIFIED)					PRODUCT CUSTOMER DRAWING				
▽ = 0	ANGULAR TOL ± °					DOCUMENT NUMBER		DOC TYPE	DOC PART	REVISION
▽ = 0	4 PLACES	±				1210501000		PSD	000	A
▽ = 0	3 PLACES	±				MATERIAL NUMBER		CUSTOMER		SHEET NUMBER
▽ = 0	2 PLACES	± 0.05	SEE 1210501000_PDP		GENERAL MARKET		3 OF 3			
▽ = 0	1 PLACE	± 0.1	SERIES		A3-SIZE		121050			
▽ = 0	0 PLACES	±	THIRD ANGLE PROJECTION		DRAWING		121050			
☒ = 0	DRAFT WHERE APPLICABLE MUST REMAIN WITHIN DIMENSIONS		THIRD ANGLE PROJECTION		DRAWING		121050			
▽ = 0			THIRD ANGLE PROJECTION		DRAWING		121050			

DOCUMENT STATUS	P1	RELEASE DATE	2018/08/31	12:24:52
-----------------	----	--------------	------------	----------



Screw and gasket, see sheet 2, PN Key
Face View See Insert Orientation

CIRCUIT PRINTOUT/WHITE

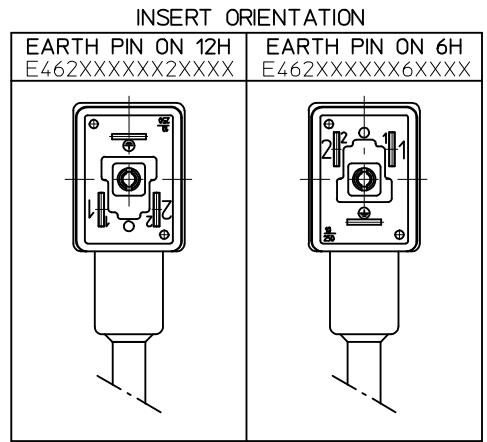
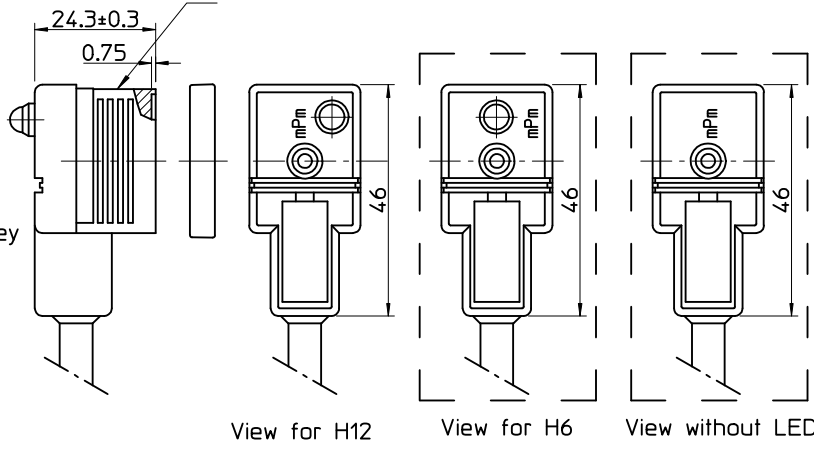
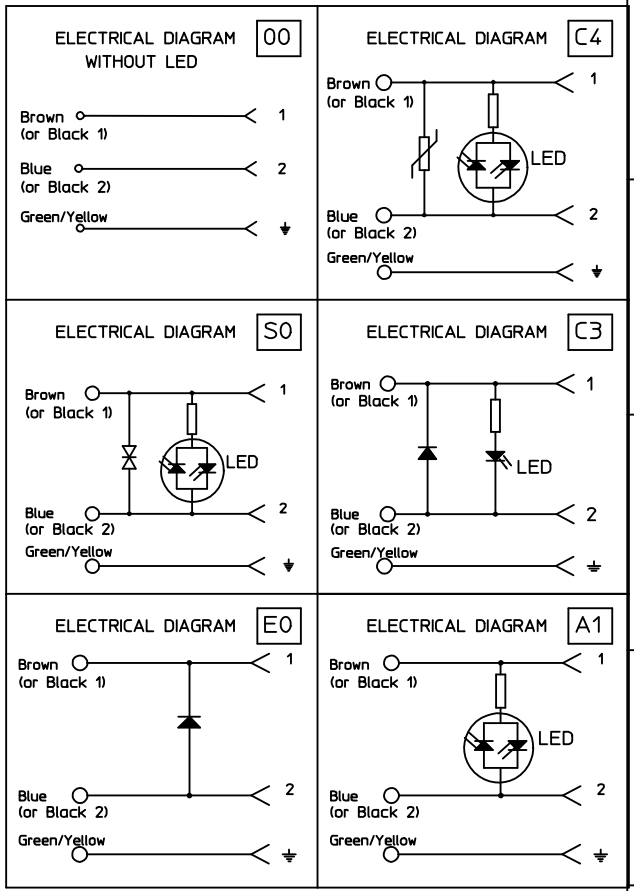


Table of length tolerances [mm]

Over	Up to and including	Tolerance (+)
0	1000	±20
1000	3000	±30
3000	5000	±40
5000	10000	±50
10000	15000	±100
15000	20000	±150
20000		±L/100



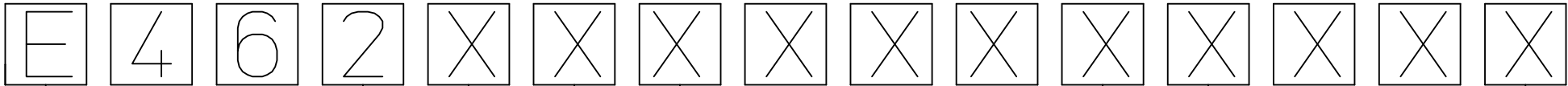
<p>DRAWING UPDATED IEC NO: IPG2013-1493 DRW:NDYSZEWSKA 2013/03/27 CHKD: JMARSZALEK 2013/03/27 APPR: MIWASIECZKO 2013/03/28</p>	<p>QUALITY SYMBOLS ▽ ±0 ◻ ±0</p>	<p>GENERAL TOLERANCES (UNLESS SPECIFIED)</p>		<p>DIMENSION STYLE MM ONLY</p>		SCALE	DESIGN UNITS	<p>FIRST ANGLE PROJECTION</p>	
							METRIC		
		4 PLACES	± --- ± ---	mm	INCH	DRAWN BY	DATE		TITLE
		3 PLACES	± --- ± ---			JMARSZALEK	2012/10/31		E462XXXXXXXXXX FORM INDUSTRIAL
2 PLACES	± --- ± ---			CHECKED BY	DATE				
1 PLACE	± --- ± ---			MSZWAJKOWSKI	2012/10/31				
0 PLACE	± --- ± ---			APPROVED BY	DATE				
		ANGULAR ± --- °		MATERIAL NO.					
		DRAFT WHERE APPLICABLE MUST REMAIN WITHIN DIMENSIONS		MATRIX DRAWING		DOCUMENT NO.			
				SIZE					
				THIS DRAWING CONTAINS INFORMATION THAT IS PROPRIETARY TO MOLEX INCORPORATED AND SHOULD NOT BE USED WITHOUT WRITTEN PERMISSION					



SD-121050-003

SHEET NO. 1 OF 4

10 9 8 7 6 5 4 3 2 1



E - Packing without bags
W - Single packing
Q - Quick packing

NUMBER OF WIRES:
1=2 WIRES
2=2 WIRES + EARTH

CABLE TYPE
SEE TABLE 1

CABLE CROSS SECTION AREA
SEE TABLE 2

HEAD COLOUR:
G=GREY;
N=BLACK;
T=TRANSPARENT;
A=CSA-UL BLACK;
B=CSA-UL GREY.

CABLE LENGHT IN CM
Eg.:050=50 CM, 300=300 CM, 10K=1000 CM.

EARTH PIN LOCATION:
2=EARTH ON 12H,
6=EARTH ON 6H.

GASKET SCREWS:

- 1=NBR PROFILE GASKET+FIXING SCREWS (M3x25 mm).
- 2=NBR FLAT GASKET+SCREW (M3x25 mm).
- 3=SILICONE PROFILE GASKET+SCREW (M3x25 mm).
- 4=SILICON FLAT GASKET+SCREW (M3x25 mm).
- P=INTEGRATED GASKET+FIXING SCREW+GROMMET (M3x27 mm).
- R=INTAGRATED GASKET+SCREW+GROMMET (M3x27 mm).
- T=PROFILE GASKET+SCREW+GROMMET (M3x27 mm).

INTERNAL CIRCUIT WIREING CONFIGURATION

VOLTAGE AND LED COLOUR:

1= 12V	A= 12V	G= 12V
2= 24V	B= 24V	H= 24V
3= 48V	C= 48V	K= 48V
4= 115V	D= 115V	L= 115V
5= 230V	E= 230V	M= 230V

RED LED GREEN LED YELLOW LED

DRAWING UPDATED EC NO: IPG2013-1493 DRWING: MYSZEWSKA 2013/03/27 CHKD: JMARSZALEK 2013/03/27 APPR: MIWASIECZKO 2013/03/28	QUALITY SYMBOLS 	GENERAL TOLERANCES (UNLESS SPECIFIED)		DIMENSION STYLE MM ONLY	SCALE 1:1	DESIGN UNITS METRIC	FIRST ANGLE PROJECTION		
			mm	INCH	DRAWN BY JMARSZALEK	DATE 2012/10/31	TITLE E462XXXXXXXXXX FORM INDUSTRIAL		
		4 PLACES	± ---	± ---	CHECKED BY MSZWAJKOWSKI	DATE 2012/10/31			
		3 PLACES	± ---	± ---	APPROVED BY MIWASIECZKO	DATE 2012/11/09			
		2 PLACES	± ---	± ---	MATERIAL NO.	DOCUMENT NO.			
1 PLACE	± ---	± ---	MATRIX DRAWING		SD-121050-003		SHEET NO. 2 OF 4		
0 PLACE	± ---	± ---	DRAFT WHERE APPLICABLE MUST REMAIN WITHIN DIMENSIONS					THIS DRAWING CONTAINS INFORMATION THAT IS PROPRIETARY TO MOLEX INCORPORATED AND SHOULD NOT BE USED WITHOUT WRITTEN PERMISSION	

9 8 7 6 5 4 3 2 1

TABLE 2 - CABLES


Molex PN	mPm	Code	Wires	Cross Section	Material	Color	Diameter Ø	DIN A-B	DIN C
1210180080	I	0	3	1 mm2	PVC CEI 2022 II O.R.	Grey RAL7035	-	-	-
1210180467	A	2	2	20 AWG	PVC CSA/UL 2661	Black	5,5+/-0,2 mm	OK.	OK.
-	A	2	3	20 AWG	PVC CSA/UL 2661	Black	5,6+/-0,2 mm	OK.	OK.
1210180394	A	2	4	20 AWG	PVC CSA/UL 2661	Black	6,2+/-0,2 mm	OK.	OK.
-	A	2	5	20 AWG	PVC CSA/UL 2661	Black	7+/-0,2 mm	OK.	-
1210180297	B	2	2	20 AWG	PUR CSA/UL 20668	Black	5,5+/-0,2 mm	OK.	OK.
1210180126	B	2	3	20 AWG	PUR CSA/UL 20668	Black	5,6+/-0,2 mm	OK.	OK.
1210180367	B	2	4	20 AWG	PUR CSA/UL 20668	Black	6,2+/-0,2 mm	OK.	OK.
-	B	2	5	20 AWG	PUR CSA/UL 20668	Black	7+/-0,2 mm	OK.	-
1210180122	D	2	3	0,5 mm2	PVC T12 CEI 20-20	Grey	-	-	-
-	F	2	3	0,5 mm2	CNOMO	Grey RAL7000	5,5+/-0,2 mm	OK.	OK.
1210180047	I	2	2	0,5 mm2	PVC CEI 2022 II O.R.	Grey RAL7035	5,5+/-0,2 mm	OK.	OK.
-	I	2	3	0,5 mm2	PVC CEI 2022 II O.R.	Grey RAL7035	5,5+/-0,2 mm	OK.	OK.
1210180146	I	2	4	0,5 mm2	PVC CEI 2022 II O.R.	Grey RAL7035	6,5+/-0,2 mm	OK.	-
1210180177	I	2	5	0,5 mm2	PVC CEI 2022 II O.R.	Grey RAL7035	7+/-0,2 mm	OK.	-
1210180022	N	2	2	0,5 mm2	PVCH03	Black	5,1+ 0,2-0 mm	OK.	OK.
1210180064	N	2	3	0,5 mm2	PVCH03	Black	5,4+ 0,2-0 mm	OK.	OK.
1210180153	N	2	4	0,5 mm2	PVCH03	Black	5,75+0,2-0 mm	OK.	OK.
1210180046	P	2	2	0,5 mm2	PUR - BLEND	Black	5,5+/-0,2 mm	OK.	OK.
-	P	2	3	0,5 mm2	PUR - BLEND	Black	5,5+/-0,2 mm	OK.	OK.
1210180302	P	2	4	0,5 mm2	PUR - BLEND	Black	-	-	-
-	P	2	5	0,5 mm2	PUR - BLEND	Black	7+/-0,2 mm	OK.	OK.
1210180409	A	3	2	18 AWG	PVC CSA/UL 2661	Black	6,5+/-0,2 mm	OK.	-
1210180129	A	3	3	18 AWG	PVC CSA/UL 2661	Black	6,5+/-0,2 mm	OK.	-
1210180169	A	3	4	18 AWG	PVC CSA/UL 2661	Black	7+/-0,2 mm	OK.	-
-	A	3	5	18 AWG	PVC CSA/UL 2661	Black	7,8+/-0,2 mm	OK.	-
1210180351	B	3	2	18 AWG	PUR CSA/UL 20668	Black	6,5+/-0,2 mm	OK.	-
1210180127	B	3	3	18 AWG	PUR CSA/UL 20668	Black	6,5+/-0,2 mm	OK.	-
1210180127	B	3	4	18 AWG	PUR CSA/UL 20668	Black	7+/-0,2 mm	OK.	-
-	B	3	5	18 AWG	PUR CSA/UL 20668	Black	7,8+/-0,2 mm	OK.	-
1210180073	D	3	3	0,75 mm2	PVC T12 CEI 20-20	Grey	-	-	-
1210180145	D	3	4	0,75 mm2	PVC T12 CEI 20-20	Grey	-	-	-
1210180120	I	3	3	0,75 mm2	PVC CEI 2022 II O.R.	Grey RAL7035	-	-	-
1210180143	I	3	4	0,75 mm2	PVC CEI 2022 II O.R.	Grey RAL7035	-	-	-
1210180032	N	3	2	0,75 mm2	PVCH05	Black	6,2+ 0,2-0 mm	OK.	-
1210180069	N	3	3	0,75 mm2	PVCH05	Black	6,6+0,2-0 mm	OK.	-
-	N	3	4	0,75 mm2	PVCH05	Black	7,15+0,2-0 mm	OK.	-
1210180174	N	3	5	0,75 mm2	PVCH05	Black	8,0+0,2-0 mm	OK.	-
-	P	3	2	0,75 mm2	PUR - BLEND	Black	6,5+/-0,2 mm	OK.	-

TABLE 2 - CABLES

Molex PN	mPm	Code	Wires	Cross Section	Material	Color	Diameter Ø	DIN A-B	DIN C
1210180071	P	3	3	0,75 mm2	PUR - BLEND	Black	6,5+/-0,2 mm	OK.	-
1210180152	P	3	4	0,75 mm2	PUR - BLEND	Black	7+/-0,2 mm	OK.	-
1210180384	R	3	3	0,75 mm2	TPR HAL. FREE	Black	6,5+/-0,2 mm	OK.	-
1210180094	T	3	3	0,75 mm2	PUR CSA/UL	Yellow	-	-	-
1210180309	Y	3	3	0,75 mm2	SIL/0300	Red	6,5+/-0,2 mm	-	-
1210180081	F	4	3	1 mm2	CNOMO	Grey RAL7000	-	-	-
-	F	4	4	1 mm2	CNOMO	Grey RAL7000	7,1+0,2-0 mm	OK.	-
1210180042	I	4	2	1 mm2	PVC CEI 2022 II O.R.	Grey RAL7035	7,1+0,2-0 mm	OK.	-
1210180079	I	4	3	1 mm2	PVC CEI 2022 II O.R.	Grey RAL7035	7,1+0,2-0 mm	OK.	-
1210180036	N	4	2	1 mm2	PVCH05	Black	6,5+0,2-0 mm	OK.	-
1210180082	N	4	3	1 mm2	PVCH05	Black	6,9+0,2-0 mm	OK.	-
1210180117	R	4	3	1 mm2	TPR HAL. FREE	Black	-	-	-
1210180085	N	5	3	1,5 mm2	PVCH05	Black	8,3+0,2-0 mm	OK.	-
1210180313	I	6	2	0,35 mm2	PVC CEI 2022 II O.R.	Grey RAL7035	-	-	-
-	A	7	3	20 AWG	PVC CSA/UL 2661	Yellow	5,6+/-0,2 mm	OK.	OK.
1210180149	I	9	4	0,75 mm2	PVC CEI 2022 II O.R.	Grey RAL7035	-	-	-

TABLE 1 - CABLES TYPE

Code	Cable types	Features	Stranding
N	PVC	Application general purpose cable which has good resistance to water, but usually poor oil resistance.	0,5 mm2 = 15 x 0,20 0,75 mm2 = 21 x 0,20 1 mm2 = 28 x 0,20
I	CEI	Approved to IEC 332-2A, flame retardant and self extinguishing. Limited resistant to mineral oils.	0,5 mm2 = 28 x 0,15 0,75 mm2 = 42 x 0,15 1 mm2 = 32 x 0,20
P	PUR	Offer good resistance to oil and chemicals. Can swell when constantly immersed in water.	0,5 mm2 = 28 x 0,15 0,75 mm2 = 42 x 0,15 1 mm2 = 32 x 0,20
A	PVC CSA-UL	Approved to CSA-UL 2661, application general purpose cable which has good resistance to water, but usually poor oil resistance.	20 AWG = 32 x 0,15 18 AWG = 52 x 0,15
B	PUR CSA-UL	Approved to CSA-UL 20668, very good resistance to oil and chemicals.	20 AWG = 32 x 0,15 18 AWG = 52 x 0,15

DRAWING UPDATED EC NO: IPG2013-1493 DRWING: MYSZEWSKA 2013/03/27 CHKD: JMARSZALEK 2013/03/27 APPR: MIWASIECZKO 2013/03/28	QUALITY SYMBOLS ▽=0 ◻=0	GENERAL TOLERANCES (UNLESS SPECIFIED)		DIMENSION STYLE MM ONLY		SCALE 1:1	DESIGN UNITS METRIC	FIRST ANGLE PROJECTION	
			mm	INCH	DRAWN BY JMARSZALEK	DATE 2012/10/31	TITLE E462XXXXXXXXXX FORM INDUSTRIAL		
		4 PLACES	± ---	± ---	CHECKED BY MSZWAJKOWSKI	DATE 2012/10/31			
		3 PLACES	± ---	± ---	APPROVED BY MIWASIECZKO	DATE 2012/11/09			
2 PLACES	± ---	± ---	ANGULAR ± --- °		DOCUMENT NO. SD-121050-003		SHEET NO. 3 OF 4		
1 PLACE	± ---	± ---	DRAFT WHERE APPLICABLE MUST REMAIN WITHIN DIMENSIONS		THIS DRAWING CONTAINS INFORMATION THAT IS PROPRIETARY TO MOLEX INCORPORATED AND SHOULD NOT BE USED WITHOUT WRITTEN PERMISSION				
0 PLACE	± ---	± ---							

