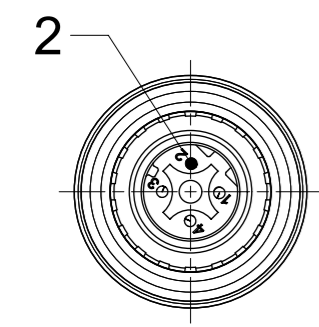


VIEW FROM THE FRONT SIDE

PIN	WIRE COLOR
1	YE
2	WH
3	OR
4	BU

SHIELD CONNECTED TO COUPLING NUTS



VIEW FROM THE FRONT SIDE

PART No. MATRIX

E	W	W	A	0	6	0	1	0	M	X	X	X
---	---	---	---	---	---	---	---	---	---	---	---	---

E=ETHERNET

HEADS:
W=M12 4-Pole Ultra Lock D-Coding
W=M12 4-Pole Ultra Lock D-Coding

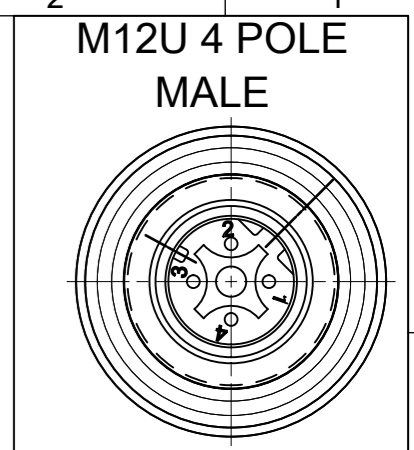
HEADS STYLE:
060=MALE STR / MALE STR

WIRING TYPE:
A=4 Pole STRAIGHT WIRED

CABLE TYPE

UNITS:
M = METER
T=10x METER

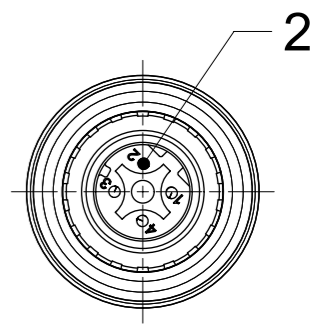
LENGTH EXAMPLES:
005=0.5m
010=1m
150=15m



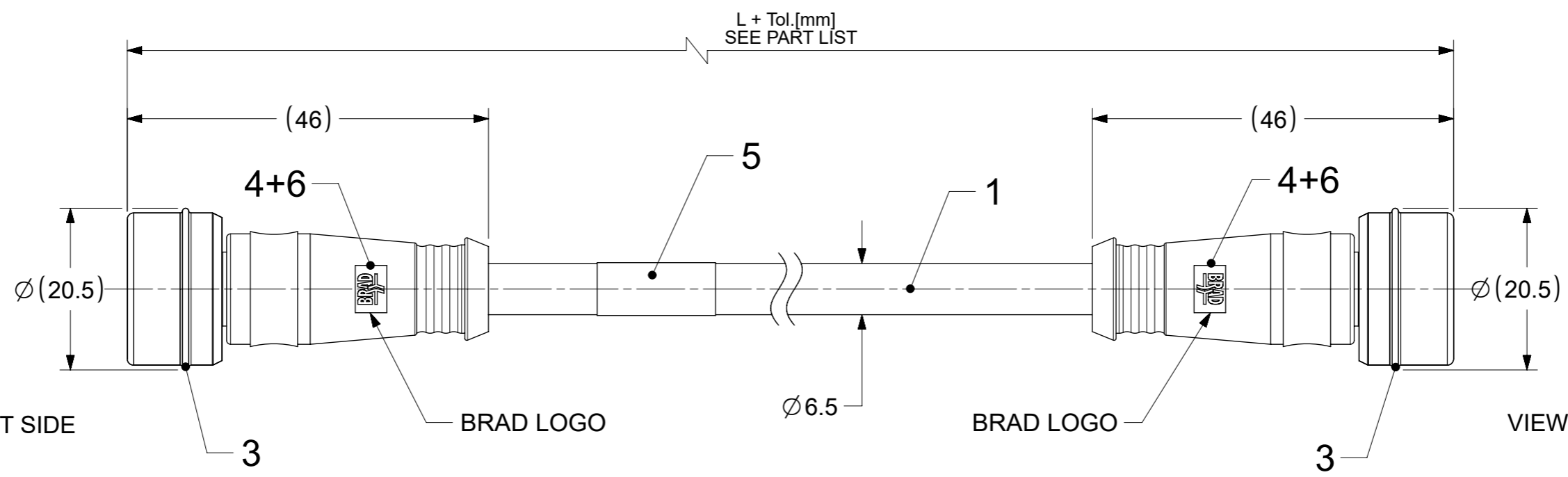
VIEW FROM THE FRONT SIDE

PIN	WIRE COLOR
1	YE
2	WH
3	OR
4	BU

SHIELD CONNECTED TO COUPLING NUTS



VIEW FROM THE FRONT SIDE



PART LIST

MOLEX PN	ENGINEERING No	L+Tol. [mm]
1201080089	EWWA06010M006	600+45
1201080090	EWWA06010M010	1000 +56
1201080091	EWWA06010M020	2000 +89
1201080092	EWWA06010M050	5000+165
1201080093	EWWA06010M100	10000+317
1201080094	EWWA06010M150	15000+622

DOCUMENT STATUS	P1	RELEASE DATE	2022/04/22	06:35:58
-----------------	----	--------------	------------	----------

NOTES :

ACC. TO CAT5e ETHERNET STD.
MAX. VOLTAGE : 30V
MAX. CURRENT : 1.5A
IP RATING : IP67
TEMPERATURE RANGE : -20°C TO +75°C

BOM

ITEM	QTY.	DESCRIPTION	MATERIAL	FINISH/COLOR
6	2	SLEEVE SHIELD	BRASS	Ni-PLATED
5	1	LABEL	VINYL	YELLOW
4	-	MOULDING MATERIAL	TPU	BLACK
3	2	ULTRALOCK ASSEMBLY MALE	-	-
2	8	CONTACT MALE	BRASS	Au OVER Ni
1	-	ETHERNET CABLE CAT5eES	PUR	GREEN

FUNCTIONAL SYMBOLS	THIS DRAWING CONTAINS INFORMATION THAT IS PROPRIETARY TO MOLEX ELECTRONIC TECHNOLOGIES, LLC AND SHOULD NOT BE USED WITHOUT WRITTEN PERMISSION	CURRENT REV DESC:		molex																						
	<table border="1"> <tr> <th>FUNCTIONAL SYMBOLS</th> <th>DIMENSION UNITS</th> <th>SCALE</th> </tr> <tr> <td>$\nabla/A = 0$</td> <td>mm</td> <td>3:2</td> </tr> <tr> <td>$\nabla/E = 0$</td> <td colspan="2">GENERAL TOLERANCES (UNLESS SPECIFIED)</td> </tr> <tr> <td>$\nabla/V = 0$</td> <td colspan="2">ANGULAR TOL ± 1.0°</td> </tr> <tr> <td rowspan="5">DIVISIONAL SYMBOLS</td> <td>4 PLACES ±</td> <td></td> </tr> <tr> <td>3 PLACES ±</td> <td></td> </tr> <tr> <td>2 PLACES ±</td> <td>0.05</td> </tr> <tr> <td>1 PLACE ±</td> <td>0.3</td> </tr> <tr> <td>0 PLACES ±</td> <td>0.5</td> </tr> </table>	FUNCTIONAL SYMBOLS	DIMENSION UNITS		SCALE	$\nabla/A = 0$	mm	3:2	$\nabla/E = 0$	GENERAL TOLERANCES (UNLESS SPECIFIED)		$\nabla/V = 0$	ANGULAR TOL ± 1.0°		DIVISIONAL SYMBOLS	4 PLACES ±		3 PLACES ±		2 PLACES ±	0.05	1 PLACE ±	0.3	0 PLACES ±	0.5	EC NO: 703538
FUNCTIONAL SYMBOLS	DIMENSION UNITS	SCALE																								
$\nabla/A = 0$	mm	3:2																								
$\nabla/E = 0$	GENERAL TOLERANCES (UNLESS SPECIFIED)																									
$\nabla/V = 0$	ANGULAR TOL ± 1.0°																									
DIVISIONAL SYMBOLS	4 PLACES ±																									
	3 PLACES ±																									
	2 PLACES ±	0.05																								
	1 PLACE ±	0.3																								
	0 PLACES ±	0.5																								
DRWN: SSM	2022/04/22	PRODUCT CUSTOMER DRAWING																								
DRWN: SSM	2022/03/28	INITIAL REVISION:	DOCUMENT NUMBER	DOC TYPE	DOC PART	REVISION																				
APPR: RSILLER	2022/04/22	APPR: RSILLER	1201080089	PSD	000	A																				
DRAFT WHERE APPLICABLE MUST REMAIN WITHIN DIMENSIONS	THIRD ANGLE PROJECTION	DRAWING	SERIES	MATERIAL NUMBER	CUSTOMER	SHEET NUMBER																				
		A3-SIZE	120108	SEE PART LIST	GENERAL MARKET	1 OF 1																				