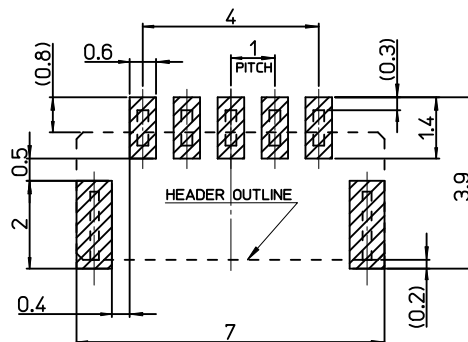
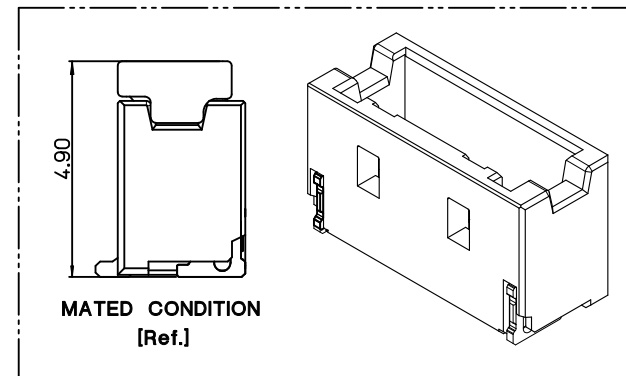


SECTION Z-Z



RECOMMENDED PCB LAY OUT

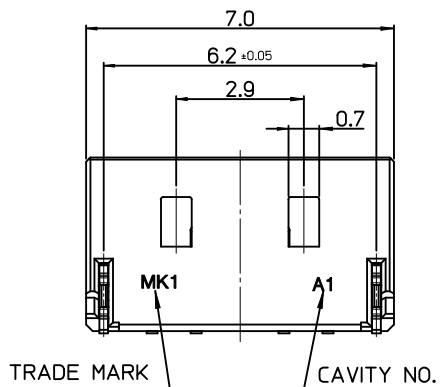
[GENERAL TOLERANCE ±0.05]



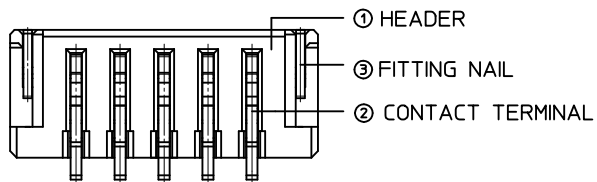
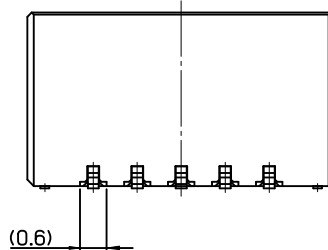
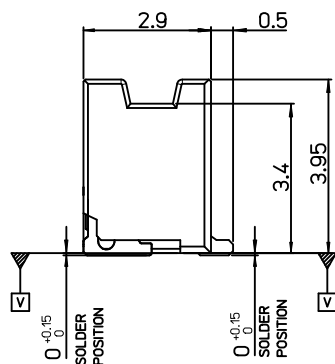
MATED CONDITION [Ref.]

NOTE.

1. MATED WITH : 104128-0500
2. MATERIALS
 - ①HEADER : LIQUID CRYSTAL POLYMER (LCP), GLASS FILLED, UL94V-0
COLOR : NATURAL COLOR
 - ②CONTACT TERMINAL : PHOSPHOR BRONZE
 - ③FITTING NAIL : PHOSPHOR BRONZE
3. FINISHES
 - ②CONTACT TERMINAL : PURE-TIN PLATING ON OVERALL. THICKNESS 3.0μm MINIMUM UNDER PLATING Ni OVERALL. THICKNESS 1.25μm MINIMUM
 - ③FITTING NAIL : PURE-TIN PLATING ON OVERALL. THICKNESS 3.0μm MINIMUM UNDER PLATING Ni OVERALL. THICKNESS 1.25μm MINIMUM
4. PRODUCT SPECIFICATION : PS-104127-002
5. PACKAGING SPECIFICATION : PK-104127-002
6. COPLANALITH OF SOLDER TAIL (PEAK TEMP. : 260°C) BEFORE & AFTER REFLOW : 0.08MAX



TRADE MARK CAVITY NO.



RELEASED
EC NO: 2012/02/24
DRWN: JHPARK01
CHKD:
APPR:

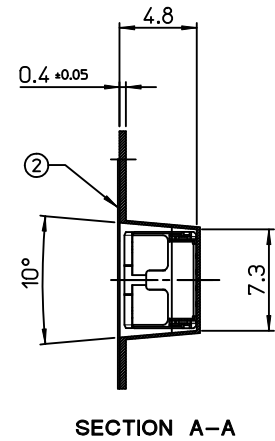
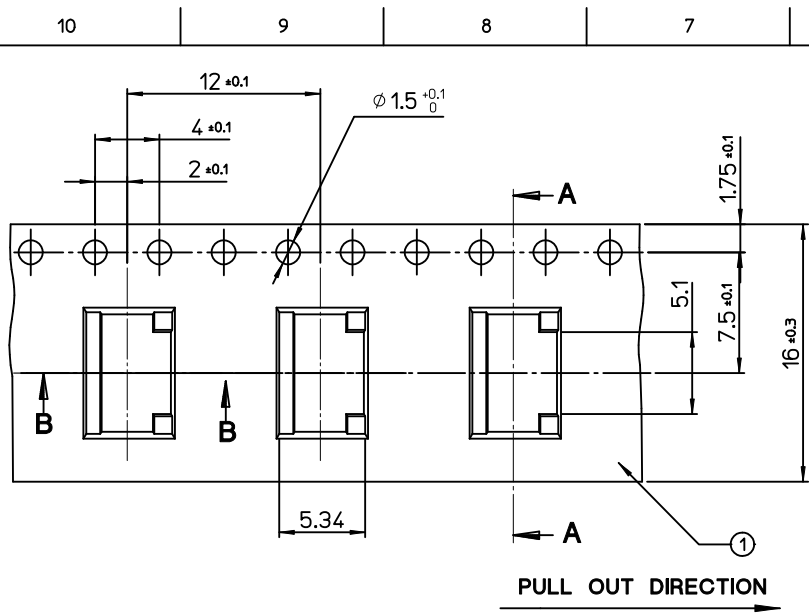
QUALITY SYMBOLS
DESCRIPTION

GENERAL TOLERANCES (UNLESS SPECIFIED)	
mm	INCH
4 PLACES ± ---	± ---
3 PLACES ± 0.005	± ---
2 PLACES ± 0.05	± ---
1 PLACE ± 0.1	± ---
ANGULAR ± 1 °	
DRAFT WHERE APPLICABLE MUST REMAIN WITHIN DIMENSIONS	

DIMENSION STYLE	
MM ONLY	
DRAWN BY	DATE
JHPARK01	2012/02/24
CHECKED BY	DATE
APPROVED BY	DATE
MATERIAL NO.	
SEE TABLE	
SIZE	A3

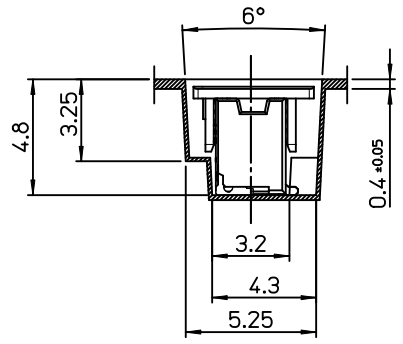
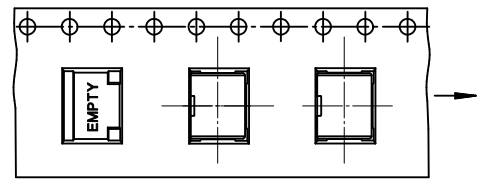
SCALE	4/1	DESIGN UNITS	METRIC	THIRD ANGLE PROJECTION
TITLE				
1.0MM WTB CONN.-5P HEADER ASS'Y				
MOLEX INCORPORATED				
DOCUMENT NO.				SHEET NO.
SD-104127-002				1 OF 01

THIS DRAWING CONTAINS INFORMATION THAT IS PROPRIETARY TO MOLEX INCORPORATED AND SHOULD NOT BE USED WITHOUT WRITTEN PERMISSION

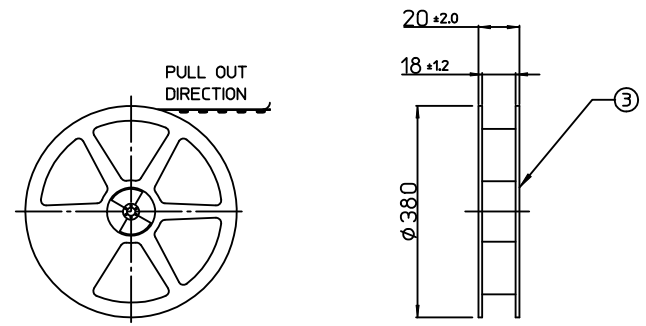


SECTION A-A

PULL OUT DIRECTION



SECTION B-B



PLASTIC BOBBIN

NOTES

1. QUANTITY OF CONNECTORS : 1,500 PCS/REEL
2. LEAD LENGTH
3. PEELING OFF FORCE OF COVER TAPE : 0.1N~0.59N(10.2GF~60GF)
 (PEELING DIRECTION AS SHOW IN FOLLOW FIG.)
 PEELING OFF SPEED : 300mm/Min.(Ref.)

4. FLASH IN ANY PORTION SHOULD BE LESS THAN 0.20mm MAX.
5. UNLESS OTHERWISE SPECIFIED INNER R0.2 MAX
6. DRAFT ANGLE 3°MAX

3	PLASTIC BOBBIN	HI P.S	WHITE
2	COVER TAPE	PET ANTISTATIC	13.3m
1	CARRIER (EMBOSSD) TAPE	PET ANTISTATIC	16.0m
NO.	DESCRIPTION	MATERIAL	REMARK

ORDER NO 104127-0510

RELEASED EC NO: KOR2012-0092 DRWN: JHPARK01 2012/03/07 CHKD: APPR: YSKIM02 2012/03/16 DESCRIPTION	QUALITY SYMBOLS	GENERAL TOLERANCES (UNLESS SPECIFIED)	DIMENSION STYLE	SCALE	DESIGN UNITS	THIRD ANGLE PROJECTION															
	$\nabla = 0$ $\nabla = 0$	<table border="1"> <tr> <th></th> <th>mm</th> <th>INCH</th> </tr> <tr> <td>4 PLACES</td> <td>± ---</td> <td>± ---</td> </tr> <tr> <td>3 PLACES</td> <td>± ---</td> <td>± ---</td> </tr> <tr> <td>2 PLACES</td> <td>± 0.15</td> <td>± ---</td> </tr> <tr> <td>1 PLACE</td> <td>± 0.20</td> <td>± ---</td> </tr> </table>		mm	INCH	4 PLACES	± ---	± ---	3 PLACES	± ---	± ---	2 PLACES	± 0.15	± ---	1 PLACE	± 0.20	± ---	MM ONLY	SCALE	METRIC	THIRD ANGLE PROJECTION
		mm	INCH																		
	4 PLACES	± ---	± ---																		
3 PLACES	± ---	± ---																			
2 PLACES	± 0.15	± ---																			
1 PLACE	± 0.20	± ---																			
DRAFT WHERE APPLICABLE MUST REMAIN WITHIN DIMENSIONS	<table border="1"> <tr> <th>mm</th> <th>INCH</th> </tr> <tr> <td>4 PLACES</td> <td>± ---</td> </tr> <tr> <td>3 PLACES</td> <td>± ---</td> </tr> <tr> <td>2 PLACES</td> <td>± 0.15</td> </tr> <tr> <td>1 PLACE</td> <td>± 0.20</td> </tr> </table>	mm	INCH	4 PLACES	± ---	3 PLACES	± ---	2 PLACES	± 0.15	1 PLACE	± 0.20	DRAWN BY: JHPARK01 DATE: 2012/02/24 CHECKED BY: SHCHU DATE: 2012/02/24 APPROVED BY: YSKIM02 DATE: 2012/03/16 MATERIAL NO.	TITLE: EMBOSSD PACKAGE 1.0 WTB CONN. HEADER ASS'Y-5P MOLEX INCORPORATED DOCUMENT NO. SD-104127-003	SHEET NO. 1 OF 1							
mm	INCH																				
4 PLACES	± ---																				
3 PLACES	± ---																				
2 PLACES	± 0.15																				
1 PLACE	± 0.20																				