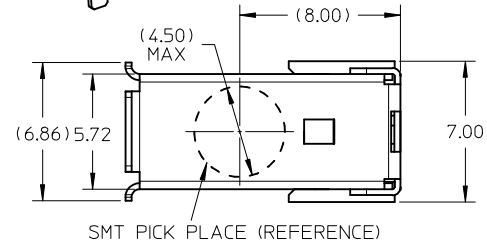
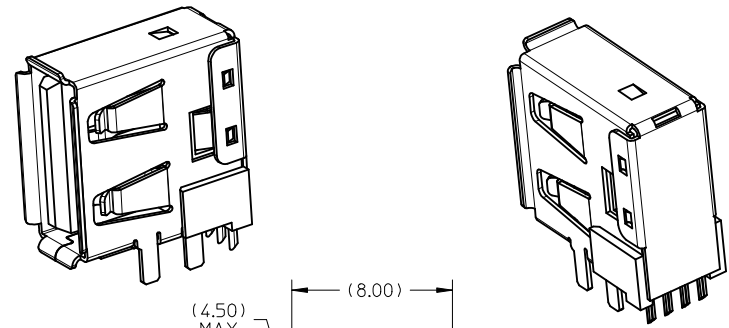
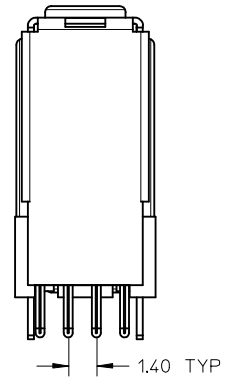
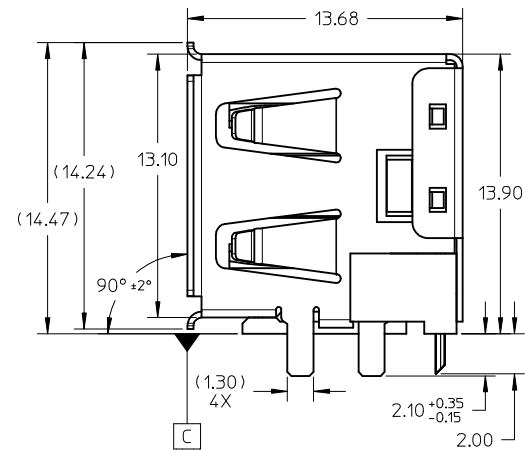
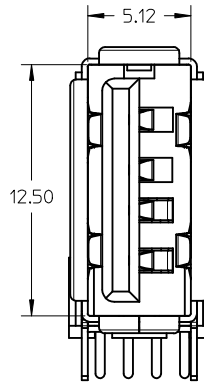
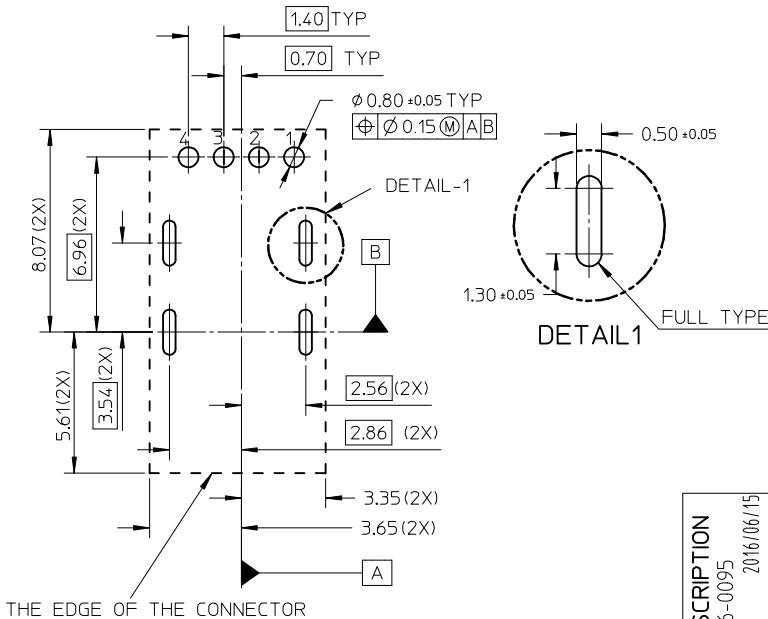


NOTES:

1. MATERIAL:
 - HOUSING: LCP, COLOR: BLACK.
 - TERMINAL: PHOSPHOR BRONZE(PhBr), SHELL: COPPER ALLOY.
2. PLATING:
 - TERMINAL:
 - CONTACT AREA: OPTION-1: GOLD FLASH.
 - OPTION-2: GOLD, THICKNESS=30 MICROINCH/0.76 MICROMETER Min.
 - SOLDER TAIL: TIN, THICKNESS=50~100 MICROINCH/1.27~2.54 MICROMETER.
 - UNDER PLATE: NICKEL, THICKNESS=50 MICROINCH/1.27 MICROMETER Min.
- SHELL:
 - PLATE: SOLDEEABLE NICKEL, THICKNESS=50 MICROINCH/1.27 MICROMETER Min.
 - SURFACE APPEARANCE : BRIGHT.
3. RECOMMENDED PCB THICKNESS: 1.60+/-0.05.
4. PRODUCT SPECIFICATION: REFER TO RPS-67329-804
5. PACKAGING SPECIFICATION: REFER TO PK-67329-004.



PCB LAYOUT REFERENCE



PART NUMBER:	OPTION
67329-8040	OPTION-1: GOLD FLASH.
67329-8041	OPTION-2: GOLD, T=30 MICROINCH

ENTER DESCRIPTION EC NO: SH2016-0095 DRW: FCHEN11 2016/06/15 CHKD: APPR: AYIN 2016/07/19	QUALITY SYMBOLS $F_A=0$ $F_G=0$ $F_P=0$	GENERAL TOLERANCES (UNLESS SPECIFIED)		DIMENSION STYLE MM ONLY		SCALE 3:1	DESIGN UNITS METRIC	THIRD ANGLE PROJECTION		
		4 PLACES ± --- ± --- 3 PLACES ± --- ± --- 2 PLACES ± 0.25 ± --- 1 PLACE ± 0.25 ± --- 0 PLACE ± ±	mm INCH	DRAWN BY FCHEN11	DATE 2015/04/08	TITLE USB UPRIGHT CONNECTOR FLANG OUT TYPE WITH SMT, THROUGH HOLE				
		DRAFT WHERE APPLICABLE MUST REMAIN WITHIN DIMENSIONS		APPROVED BY AYIN	DATE 2015/09/08	MATERIAL NO. SEE CHART DOCUMENT NO. SD-67329-804 SHEET NO. 1 OF 1				
		ANGULAR ± 3 °		SIZE A3						