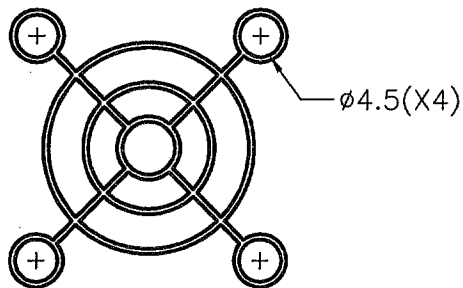
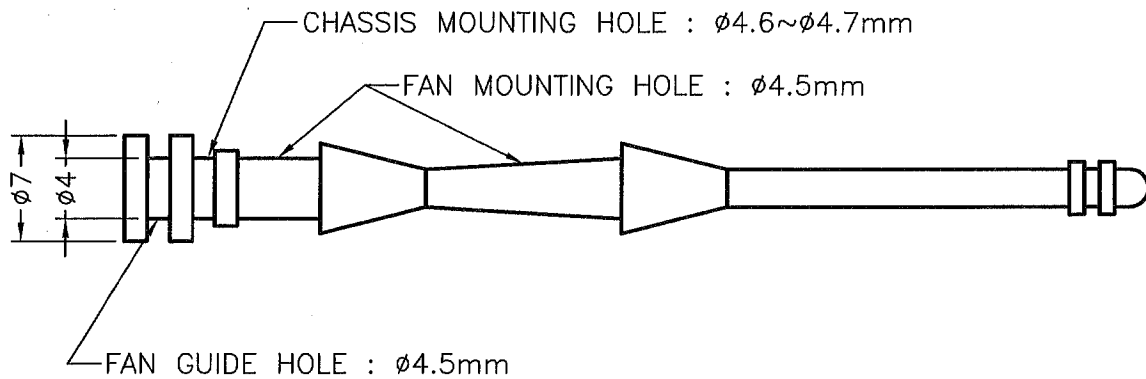
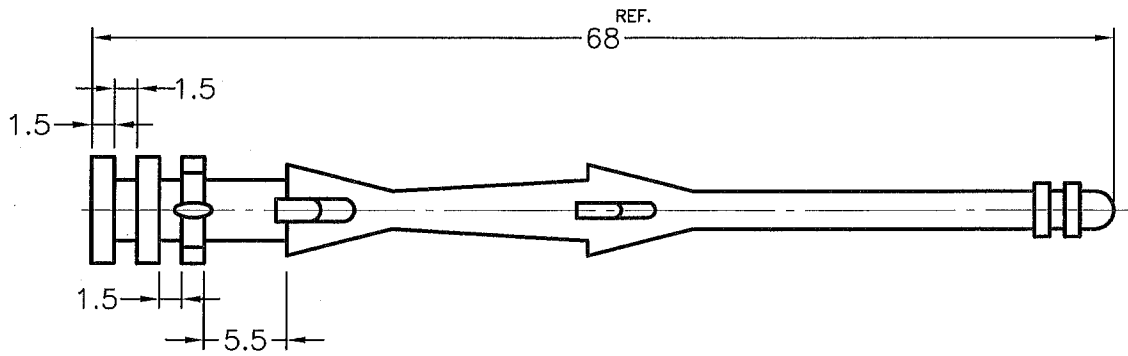



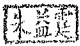
DIM	TOL
5mmDOWN	±0.2
5~20mm	±0.3
20~40mm	±0.4
40~60mm	±0.5
60~100mm	±0.8
100mmUP	±1.0

REVISIONS			
REV	DESCRIPTION	DATE	BY



PART NO.	HARDNESS
BUB-68G	45°±10°
BUB-68H	55°±10°

NOTE: All measurement does not include gate which raises under 1.2mm.

 <p>康揚企業股份有限公司 KANG YANG HARDWARE ENTERPRISE CO., LTD. 康揚塑膠(東莞)有限公司 KANG YANG PLASTIC(DONG GUAN) CO., LTD. 康哲電腦配件(吳江)有限公司 KANG CHE COMPUTER COMPONENTS(WUJIANG) CO., LTD.</p>	TITLE		FAN SNAP RIVET		SPEC. DWG.		
	MATERIAL		TPE		DATE		2004.04.21
	HARDNESS		SEE ABOVE		DRAWN		S.J.C.
	COLOR		BLACK		CHECK		
PART NUMBER		DRAWING NUMBER		UNLESS OTHERWISE SPECIFIED TOLERANCE		APPROVED	
SEE ABOVE		BUB-68		SEE ABOVE		Kang	
SIZE	SCALE	UNIT	REV				
A4	NONE	mm	B				