



2.92mm Adaptors

RF Report

Sep. 14, 2017

Rev.0



HIROSE ELECTRIC CO., LTD.

RF-17053

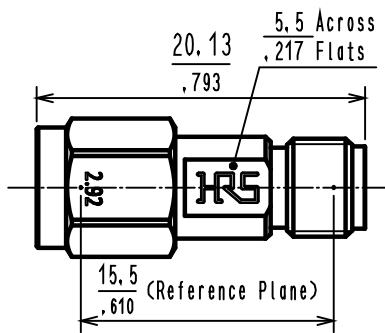
HK-Adapters

2.92mm / 2.92mm Coaxial Adapters

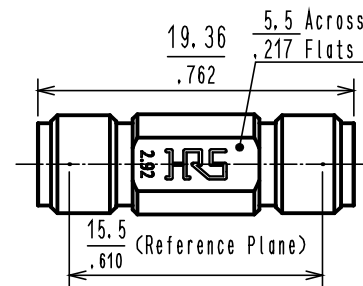
Outline

Product No.	HRS No.
HK-A-PJ	CL338-0097-0 00
HK-A-JJ	CL338-0098-0 00
HK-A-JJ	CL338-0099-0 00

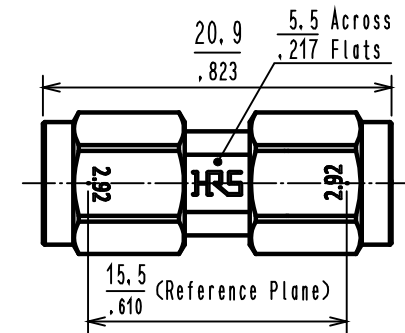
HK-A-PJ



HK-A-JJ



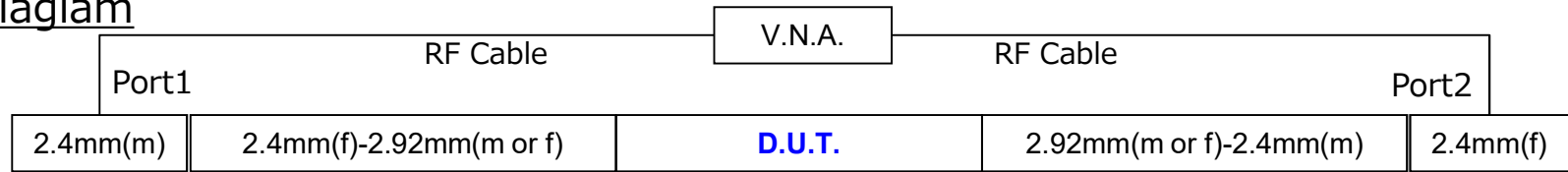
HK-A-PP



HK-Adapters

Measurement Diagram

2.92mm / 2.92mm Coaxial Adapters



RF Performance (Typical data)

Please see the details below:

<https://www.hirose.com/product/en/pr/mmwave/>

