

- 10/100/1000 Base-T Ethernet Application
- Meets IEEE 802.3 & ANSI X 3.263 standards
- Impedance: 100OHMS
- RJ45 jack cavity conforms to FCC rules and regulations Part 68, SUB Part F
- Standard operating temp: 0°C to +70°C
- Storage temperature range: -40°C to +85°C

Electrical Specifications @ 25°C

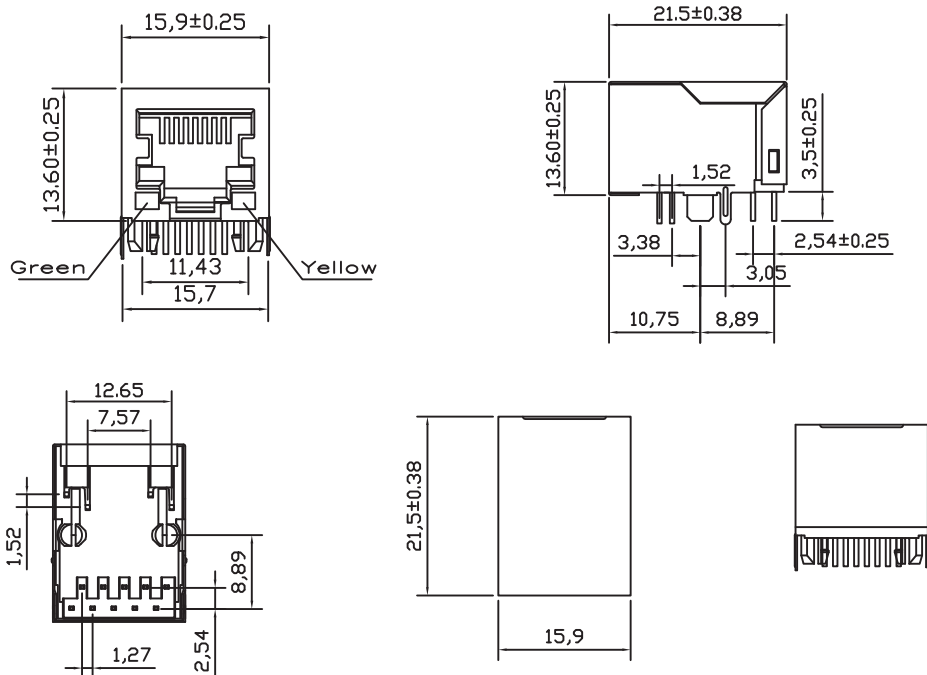
Part Number	OCL(uH Min) @ 100kHz, 0.1V	Turns Ratio (±2%)		Cross Talk (dB Min)				Hi-Pot 1.0 mA (V)	
	With 8mA DC Bias	TX	RX	0.5-10MHz	30MHz	50MHz	100MHz	Without Capacitance	With Capacitance
ARA502-1122S	350	1CT:1CT	1CT:1CT	-50	-40	-35	-30	1500	2250

Electrical Specifications @ 25°C

Part Number	Insertion Loss (dB Max)		Return Loss (dB Min) @ Load 100 Ohm					CMR (dB Min)
	1-100MHz	100-125MHz(10/100/1000)	1-30MHz	30-50MHz	60MHz	60-80MHz	80-100MHz(10/100/1000)	1-100 MHz
ARA502-1122S	-1.0	-1.2	-18	-16	-14	-12	-10	-30

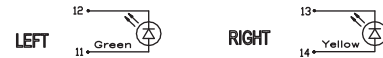
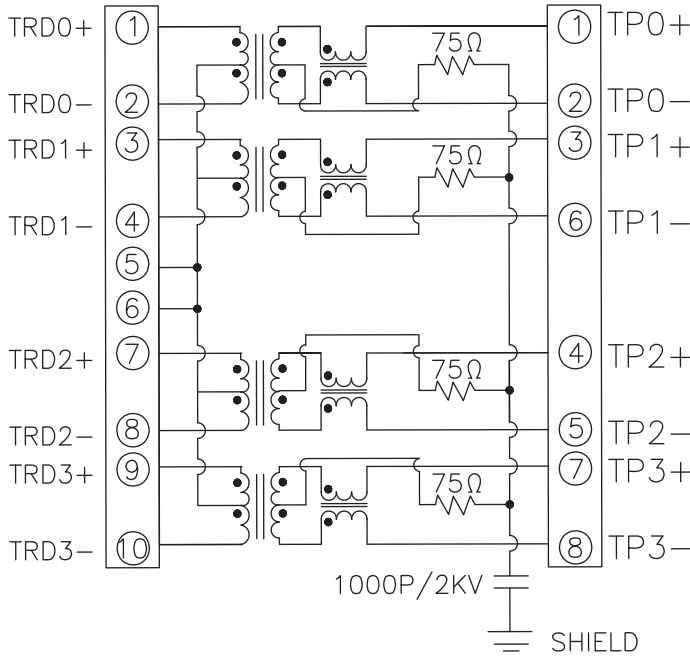
All specifications subject to change without notice.

MECHANICAL





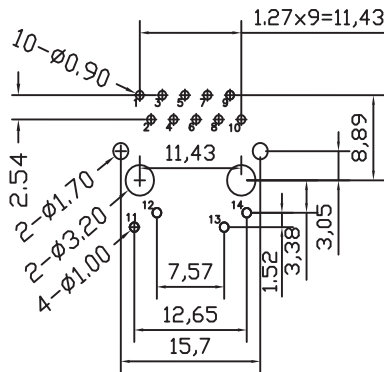
SCHEMATICS



Standard LED	Wavelength	Forward*V(MAX)	TYP
Green	565nm	2.5v	2.2v
Yellow	585nm	2.5v	2.1v

With a forward current of 20mA

PCB LAYOUT



MATERIALS

- 1. Shield 0.25mm THICKNESS BRASS C2680 H.
PLATING NICKEL 20u' Min
- 2. Housing- Standard Material: PA66, Glass filled
Polyester UL94V-0 Standard Color Black.
- 3. RJ Terminal- Plastic: FR52, UL94V-0, Standard
Color Black.
Pin: 0.35mm Thickness Phos-Bronze C5210 EH.
Plating: Nickel 40u"-60u" for all and Sn 100%, and
6u" Gold Plating.
- 4. Input Terminal: Plastic: PBT, Glass Filled, UL94V-0,
Standard Color Black.
Pin: 0.35mm Thickness Phos-Bronze SUS430.
Plating: Nickel 40u"-60u" for all and Sn 100%.