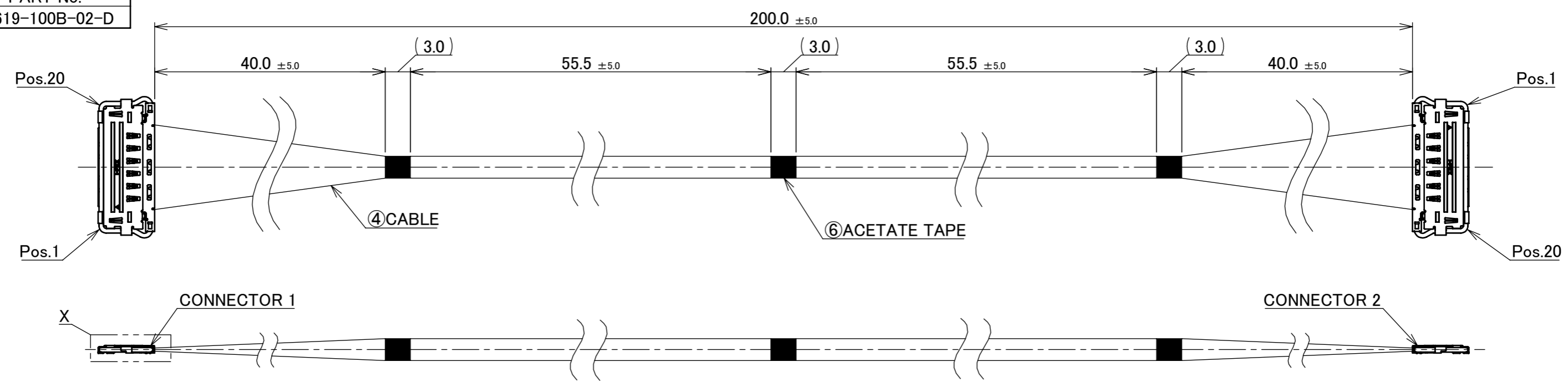
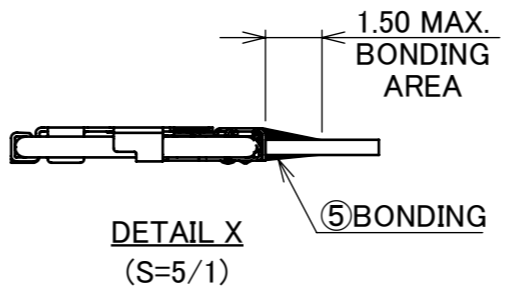
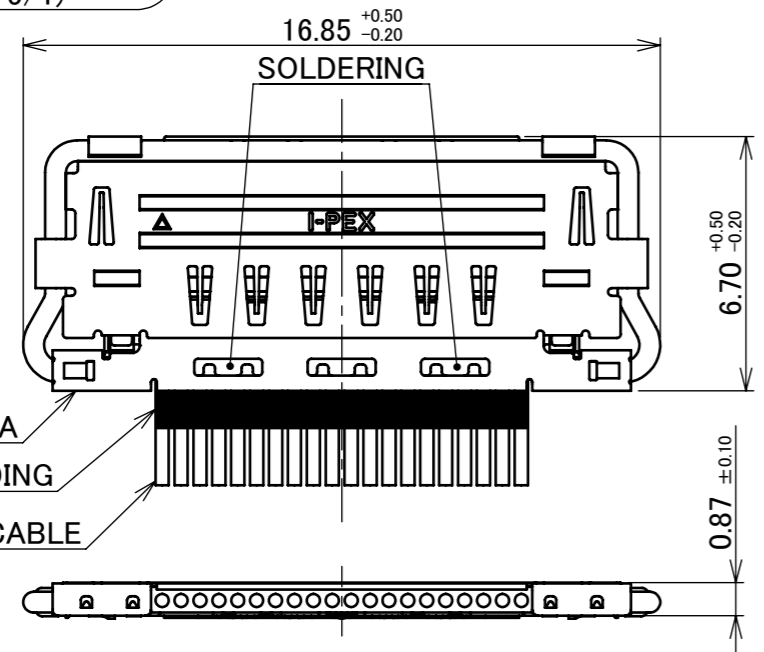


PART No.
81619-100B-02-D



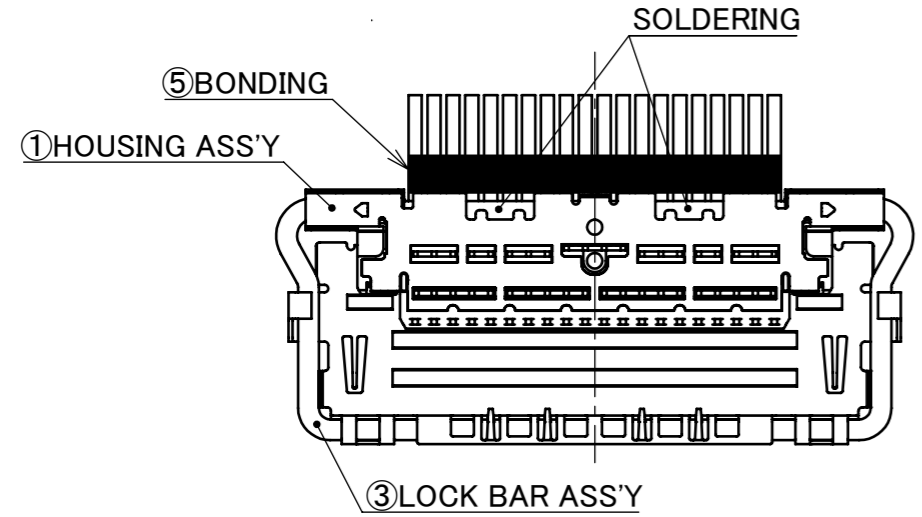
CONNECTOR 1&2
(S=5/1)



PIN ASSIGNMENT		
CONNECTOR 1	CABLE	CONNECTOR 2
20	MICRO-COAXIAL AWG#40 50 OHM, BLUE	1
19	MICRO-COAXIAL AWG#40 50 OHM, BLUE	2
.	MICRO-COAXIAL AWG#40 50 OHM, BLUE	.
.	MICRO-COAXIAL AWG#40 50 OHM, BLUE	.
2	MICRO-COAXIAL AWG#40 50 OHM, BLUE	19
1	MICRO-COAXIAL AWG#40 50 OHM, BLUE	20

NOTE.
1. TO HANDLE THIS CONNECTOR YOU MUST READ AND FOLLOW THE INSTRUCTION MANUAL BELOW. I-PEX INSTRUCTION MANUAL No.HIM-17015.
2. ELECTRIC CHARACTERISTICS
WITHSTANDVOLTAGE : AC 250V LEAKAGE CURRENT 2.0mA MAX.
INSULATION RESISTANCE : 50MΩ MIN. DC 100V

NO.	DESCRIPTION	PARTS NO.	QTY	REMARKS
6	ACETATE TAPE	-	3	BLACK
5	BONDING	-	-	UV GLUE
4	CABLE	-	20	MICRO-COAXIAL AWG #40 50 OHM, BLUE
3	LOCK BAR ASS'Y	20848-020T-01	2	CONNECTOR 1&2 CABLIN®-VS II PLUG P/N : 20846-020T-01 CONNECTOR TO BE MATED : 20849-020E-01
2	SHELL-A	3427-0201	2	
1	HOUSING ASS'Y	20847-020T-01	2	



For DIGI-KEY CORPORATION

ANGLE	±2°	6 OVER 30 MAX.	±0.3	PROJECTION ⊕	SERIES No. IH-210016	CUSTOMER COPY							
	6 MAX.	±0.2	30 OVER 120 MAX.				±0.5						
GENERAL TOLERANCE.				TITLE CABLIN®-VS II 20P HARNESS	SCALE 2:1	UNIT mm							
DWG.	K.Baba		DATE				2021/10/12						
CHK.	R.Takei												
0	Z211239	K.B	Oct./12/'21	APP.	H.Ikari	DWG. No.	81619	SIZE	A3	SHEET	1/1	REV.	0

Confidential B

I-PEX Inc.

QKE-DFE06-02 REV.12