

THIS DRAWING IS UNPUBLISHED.

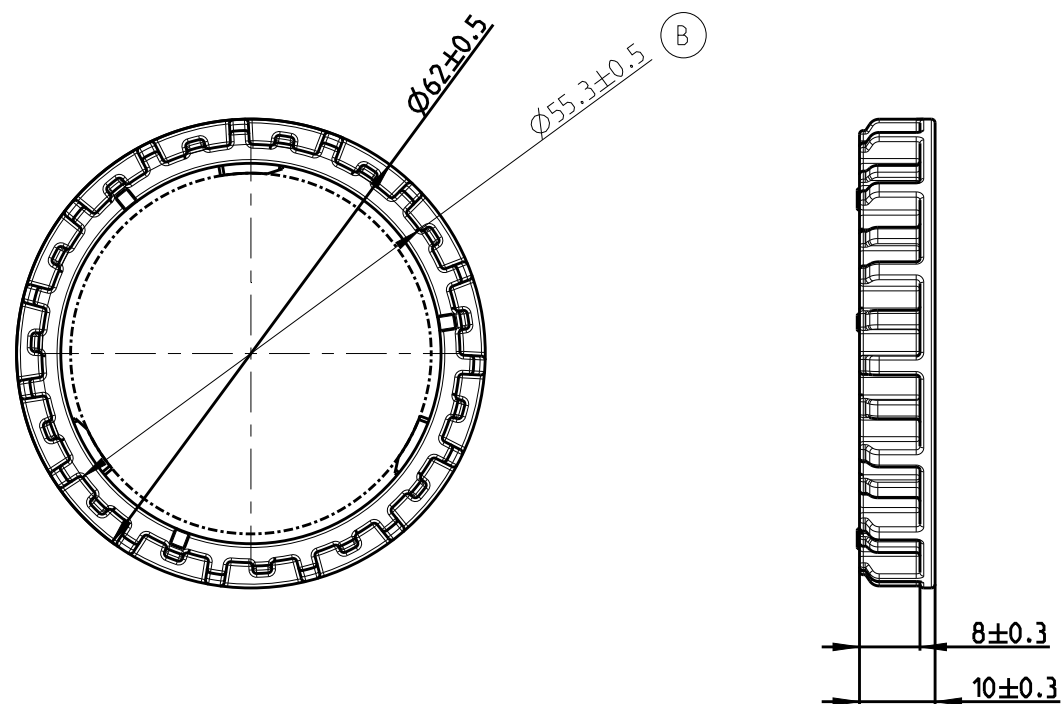
RELEASED FOR PUBLICATION

20

© COPYRIGHT 20 BY - ALL RIGHTS RESERVED.

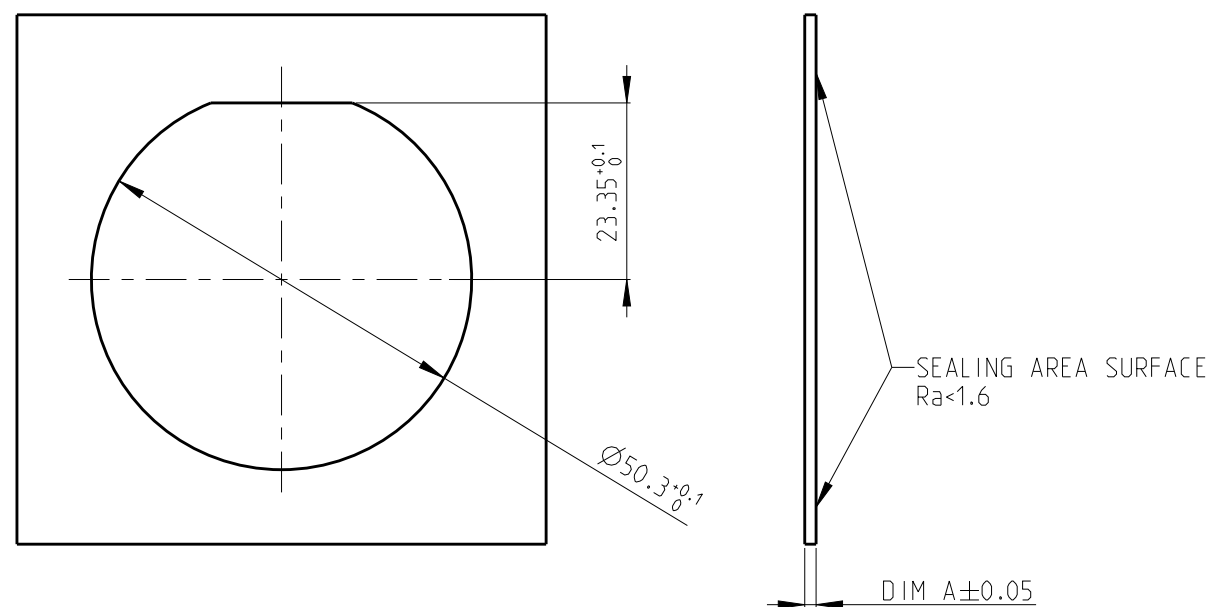
REVISIONS

P	LTR	DESCRIPTION	DATE	DWN	APVD
	A	RELEASED	05MAR2020	X.L	I.Y
	B	SEE ECR-20-017293	27NOV2020	L.G	I.Y



1. MATERIAL: PBT GF30 ,COLOR SEE TABLE
2. PRODUCT IS USED WITH THROUGH WALL CONNECTOR X-2366509-X

RECOMMENDED WALL INTERFACE



2366517-4	BLUE	4.0±0.05
2366517-3	GREEN	3.5±0.05
2366517-2	GRAY	3.0±0.05
2366517-1	YELLOW	1.5±0.05
TE PN	COLOR	WALL THICKNESS DIM A±0.05

THIS DRAWING IS A CONTROLLED DOCUMENT.

DWN	X.LI	19FEB2020
CHK	W.WU	02MAR2020
APVD	I.YIN	05MAR2020



DIMENSIONS:	TOLERANCES UNLESS OTHERWISE SPECIFIED:
mm	
	0 PLC ±
	1 PLC ±
	2 PLC ±
	3 PLC ±
	4 PLC ±
	ANGLES ±
MATERIAL	FINISH
-	-
-	-

PRODUCT SPEC	-
APPLICATION SPEC	-
WEIGHT	-

NAME FIX RING NTS 48P CONNECTOR			
SIZE	CAGE CODE	DRAWING NO	RESTRICTED TO
A3	-	©=2366517	-
CUSTOMER DRAWING		SCALE 1:1	SHEET 1 OF 1 REV B