

- 1
- 2
- 3
- 4
- 5
- 6
- 7
- 8
- 9
- 10
- 11
- 12
- 13
- 14
- 15

MATERIAL

Glass-fibre reinforced polyamide based (PA) technopolymer, black colour, matte finish.

CLOSING CAP

Polypropylene based (PP) technopolymer, orange or black colour, glossy finish with matte central surface, snap-in mounting.

STANDARD EXECUTIONS

- **VTL-B:** brass boss, threaded blind hole.
- **VTL-p:** zinc-plated steel threaded stud, chamfered flat end according to UNI 947: ISO 4753 (see Technical data on page A-11).

FEATURES AND APPLICATIONS

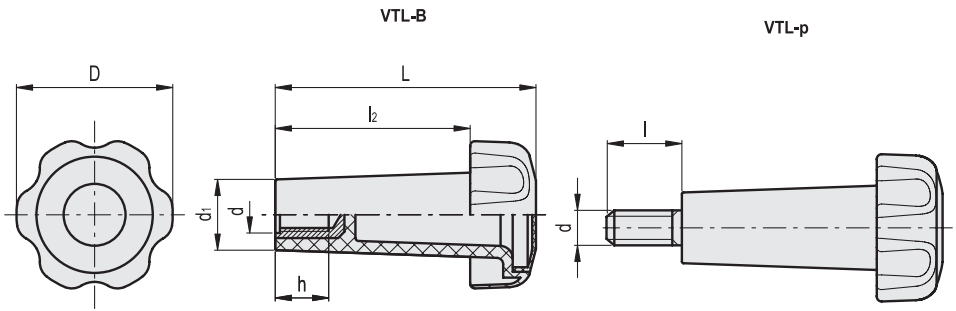
The long cone-shaped body of this knob is especially designed to clamp elements placed at a distance from the operator or in difficult to access places.

SPECIAL EXECUTIONS ON REQUEST

On the surface of the closing cap words, marks, graphic symbols, etc... can be tampprinted in colours.



FMdesign



Conversion Table 1 mm = 0.039 inch			
D		L	
mm	inch	mm	inch
50	1.97	82	3.23

C2 RAL2004 **C9** RAL9005

METRIC

VTL-B

Code	Description	D	d6H	L	d1	l2	h	ΔΔ
182222	VTL.50/80 B-M10-C2	50	M10	82	22.5	62	17	48
182223	VTL.50/80 B-M10-C9	50	M10	82	22.5	62	17	48

VTL-p

Code	Description	D	d6g	L	d1	l	l2	ΔΔ
182232	VTL.50/80 p-M10x20-C2	50	M10	82	22.5	20	62	60
182233	VTL.50/80 p-M10x20-C9	50	M10	82	22.5	20	62	60
182238	VTL.50/80 p-M10x50-C2	50	M10	82	22.5	50	62	75
182239	VTL.50/80 p-M10x50-C9	50	M10	82	22.5	50	62	75

Clamping knobs