

Panel mounting frames - VS-PPC-F1-SCRJ-MNNA-1C-F - 1405235


Please be informed that the data shown in this PDF Document is generated from our Online Catalog. Please find the complete data in the user's documentation. Our General Terms of Use for Downloads are valid (<http://phoenixcontact.com/download>)



Push-pull panel mounting frame, IP67, metal, with Freenet system, for round mounting cutout, with seal and SC-RJ coupling (for POF, PCF, and GOF)



Key Commercial Data

Packing unit	1 pc
GTIN	 4 046356 334785
GTIN	4046356334785

Technical data

Mechanical characteristics

Connection method	Push-Pull
Degree of pollution	2
Cable outlet	straight
Locking type	Push Pull
Weight	60 g
Flammability rating according to UL 94	V0

Ambient conditions

Ambient temperature (operation)	-40 °C ... 70 °C
Ambient temperature (assembly)	0 °C ... 50 °C
Ambient temperature (storage/transport)	-40 °C ... 70 °C
Degree of protection	IP67 (IP65/67)

Material data

Housing material	Zinc die-cast
Housing surface material	Nickel-plated
Housing material	Zinc die-cast

Electrical characteristics

Panel mounting frames - VS-PPC-F1-SCRJ-MNNA-1C-F - 1405235

Technical data

Electrical characteristics

Number of positions	2
Degree of pollution	2

Standards and Regulations

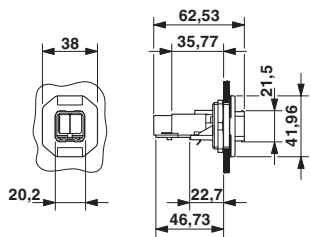
Flame resistance	yes
Resistance to oil	yes
Flammability rating according to UL 94	V0

Environmental Product Compliance

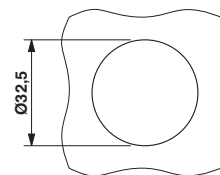
REACH SVHC	Lead 7439-92-1
China RoHS	Environmentally Friendly Use Period = 50 years
	For details about hazardous substances go to tab "Downloads", Category "Manufacturer's declaration"

Drawings

Dimensional drawing



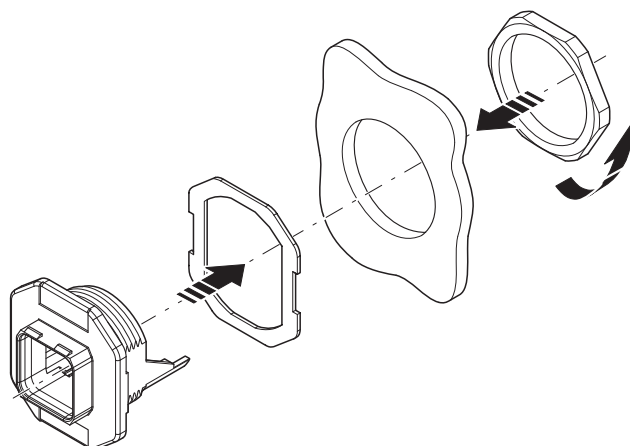
Dimensional drawing



Mounting cutout

Push-Pull SC-RJ panel mounting frame

Exploded view



Panel mounting frames - VS-PPC-F1-SCRJ-MNNA-1C-F - 1405235

Classifications

eCl@ss

eCl@ss 10.0.1	27440210
eCl@ss 11.0	27440210
eCl@ss 4.0	27260700
eCl@ss 4.1	27260700
eCl@ss 5.0	27260700
eCl@ss 5.1	27260700
eCl@ss 6.0	27261200
eCl@ss 7.0	27440210
eCl@ss 9.0	27440210

ETIM

ETIM 3.0	EC002310
ETIM 4.0	EC002310
ETIM 6.0	EC002310
ETIM 7.0	EC002310

UNSPSC

UNSPSC 6.01	31261501
UNSPSC 7.0901	31261501
UNSPSC 11	31261501
UNSPSC 12.01	31261501
UNSPSC 13.2	39121421
UNSPSC 18.0	39121421
UNSPSC 19.0	39121421
UNSPSC 20.0	39121421
UNSPSC 21.0	39121421

Approvals

Approvals

Approvals

EAC

Ex Approvals

Approval details

Panel mounting frames - VS-PPC-F1-SCRJ-MNNA-1C-F - 1405235

Approvals

EAC



B.01687

Phoenix Contact 2021 © - all rights reserved
<http://www.phoenixcontact.com>

PHOENIX CONTACT GmbH & Co. KG
Flachsmarktstr. 8
32825 Blomberg
Germany
Tel. +49 5235 300
Fax +49 5235 3 41200
<http://www.phoenixcontact.com>