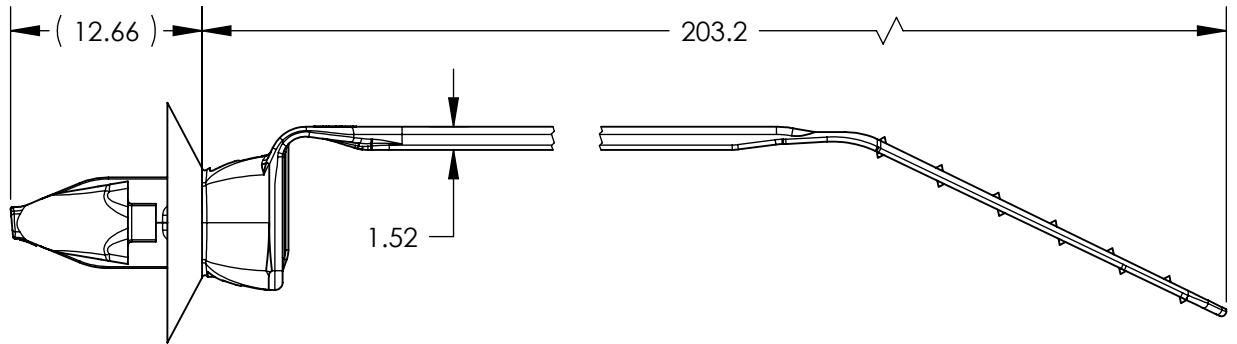
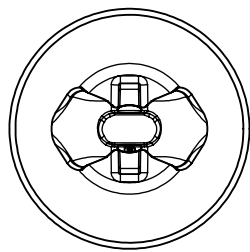
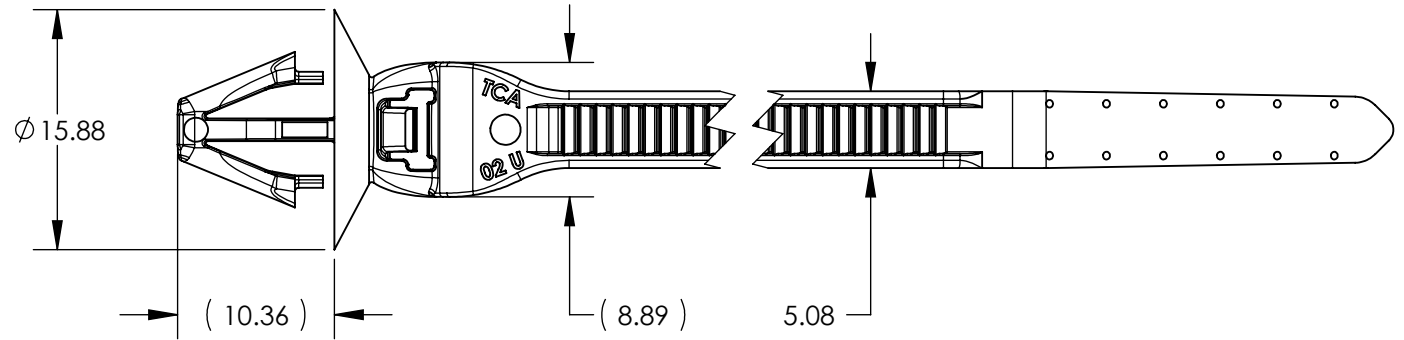


**PERFORMANCE REQUIREMENTS:**

1. HOLE RANGE: 6.35MM- 6.85MM
2. PANEL THICKNESS RANGE: 1.8MM - 3.0MM
3. CABLE TIE TENSILE STRENGTH: 50LBS MIN
4. MINIMUM BUNDLE DIAMETER: 1.6MM
5. MAXIMUM BUNDLE DIAMETER: 50MM



INVENTORS

**HellermannTyton**

ALL PROPRIETARY RIGHTS IN THE SUBJECT MATTER SHOWN ON THIS DRAWING ARE EXCLUSIVE PROPERTY OF HELLERMANNTYTON

name	date	city, state

REVISION

D	level	01
R	by	JJP
A	date	11/24/2008
W	ECN #	011188
I	part level	B/C
N		
G		

DIMENSIONS

FOOTERANCMARS	units	millimeters
.xxxx	= ±	.127
.xxx	= ±	.25
.xx	= ±	.5
.x	= ±	6.4
<	= ±	0.5°
unless otherwise specified		

PART

number	T50ROSAH6U	phase	Production
name	T50 CABLE TIE WITH ARROWHEAD		
material	NYLON 66 IM, HS		

DRAWING

format	version	N	AH	CAD	SW 2006	scale	2:1
computer file name	CT07-040-006CST_01		previous drawing number				
drawn	JJP	checked		approved			
	11/24/2008						
type	Customer		sheet 1 of 1				
number	CT07-040-006CST						