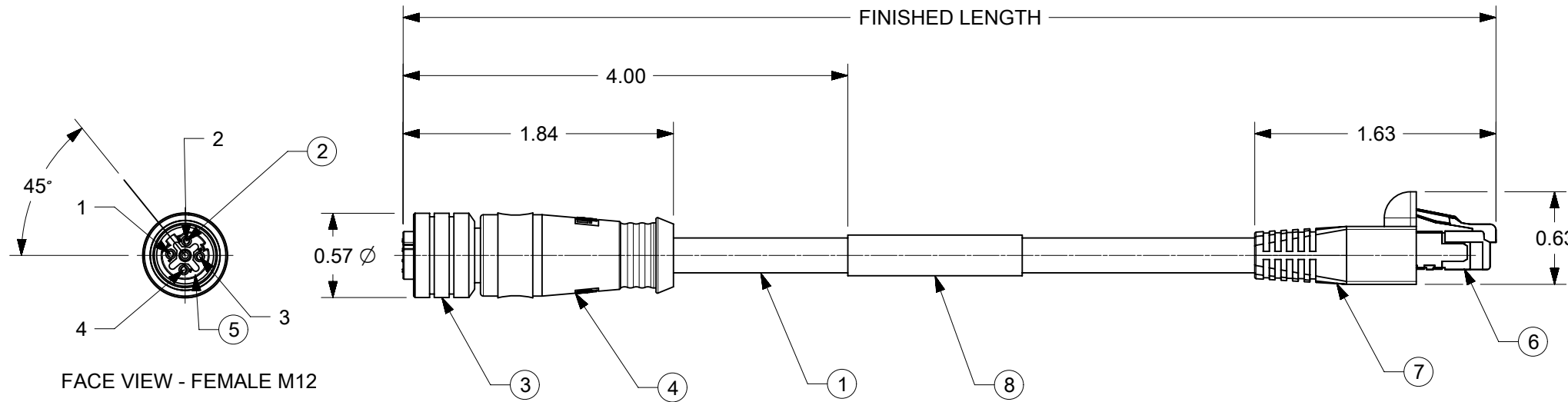


| MATERIAL NO. | ENGINEERING NO. | LENGTH         |
|--------------|-----------------|----------------|
| 1201080747   | E16A03006M005   | .5 M (1.64 FT) |

| CABLE LENGTH TOLERANCES  |                         |
|--------------------------|-------------------------|
| >.3M [1FT]:              | +19mm-0 [ +.75in-0]     |
| .3 - .9M [1 - 3FT]:      | +44.5mm-0 [+1.75in-0]   |
| .9 - 1.8M [3 - 6FT]:     | +55.6mm-0 [+2.19in-0]   |
| 1.8 - 3.7M [6 - 12FT]:   | +88.9mm-0 [+3.50in-0]   |
| 3.7 - 7.3M [12 - 24FT]:  | +165.1mm-0 [+6.50in-0]  |
| 7.3-14.6M [24 - 48FT]:   | +317.5mm-0 [+12.50in-0] |
| 14.6 - 30.5M [48-100FT]: | +622.3mm-0 [+24.50in-0] |
| OVER 30M [100FT]         | +2% OF FINISHED LENGTH  |

WIRE COLORS

1- WHITE/ORANGE  
2- WHITE/GREEN  
3- ORANGE  
4- GREEN



WIRE COLORS

- 1- WHITE/ORANGE
- 2- ORANGE
- 3- WHITE/GREEN
- 4- NOT USED
- 5 - NOT USED
- 6 - GREEN
- 7 - NOT USED
- 8 - NOT USED

NOTES:

- 1) MATERIAL: SEE TABLE
- 2) FINISHES: SEE TABLE
- 3) ELECTRICAL:  
VOLTAGE: 125V  
CURRENT: 1.5A
- 4) PROTECTION: IP67 (WHEN MATED)
- 5) TEMP RATING: -20°C TO +70°C
- 6) COUPLING THREAD: M12X1
- 7) ALL DIMS ARE FOR REFERENCE UNLESS TOLERANCED OR NOTED OTHERWISE

**E16A03006M005**

LENGTH ———

M005 = .5 METERS  
M010 = 1.0 METERS  
M100 = 10.0 METERS

**PART NUMBER MATRIX**

| 8    | WRAP LABEL                      | VINYL         | BLACK/YELLOW  |
|------|---------------------------------|---------------|---------------|
| 7    | BOOT HOOD                       | PVC           | BLACK         |
| 6    | RJ45 PLUG                       | POLYCARBONATE | CLEAR         |
| 5    | FEMALE INSERT                   | PUR           | BLACK         |
| 4    | OVERMOLD                        | PUR           | BLACK         |
| 3    | COUPLING NUT                    | BRASS         | NICKEL PLATED |
| 2    | FEMALE CONTACT                  | CU ALLOY      | GOLD/NICKEL   |
| 1    | CABLE 24/2P CAT-5E (UNSHIELDED) | TPE           | BLUE          |
| ITEM | DESCRIPTION                     | MATERIAL      | FINISH        |

| SYMBOLS         |  | THIS DRAWING CONTAINS INFORMATION THAT IS PROPRIETARY TO MOLEX ELECTRONIC TECHNOLOGIES, LLC AND SHOULD NOT BE USED WITHOUT WRITTEN PERMISSION |   |
|-----------------|--|---|---|
| DIMENSION UNITS | SCALE  | CURRENT REV DESC: INITIAL RELEASE   |   |
| ▽ = 0           | INCH   | 1:1   | <b>molex</b><br>MIC 4P FEMALE M12-MALE RJ45   |
| ▽ = 0           | GENERAL TOLERANCES (UNLESS SPECIFIED)                |   |   |
| ▽ = 0           | ANGULAR TOL ± 0.5°                                   |   |   |
| ▽ = 0           | 4 PLACES ±   |   |   |
| ▽ = 0           | 3 PLACES ±   |   | EC NO: 618892<br>DRWN: CCHRSTKA 2019/06/13<br>CHK'D: RSTONE 2019/06/13<br>APPR: BWOODMAN 2019/06/17 |
| ▽ = 0           | 2 PLACES ±   |   | INITIAL REVISION:<br>DRWN: CCHRSTKA 2019/06/13<br>APPR: BWOODMAN 2019/06/17                         |
| ▽ = 0           | 1 PLACE ±  |   | DOCUMENT NUMBER<br><b>1201080747</b>  |
| ▽ = 0           | 0 PLACES ±   |   | DOC TYPE DOC PART REVISION<br>PSD 000 A   |
| ▽ = 0           | DRAFT WHERE APPLICABLE MUST REMAIN WITHIN DIMENSIONS |   | MATERIAL NUMBER CUSTOMER SHEET NUMBER<br>SEE TABLE GENERAL MARKET 1 OF 1                            |
| ▽ = 0           | THIRD ANGLE PROJECTION                               | DRAWING   | SERIES<br><b>B-SIZE 120108</b>  |