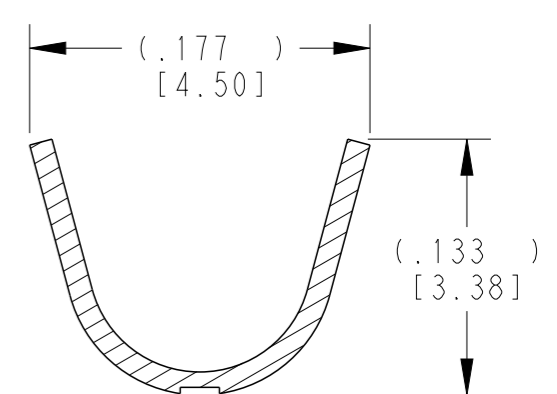
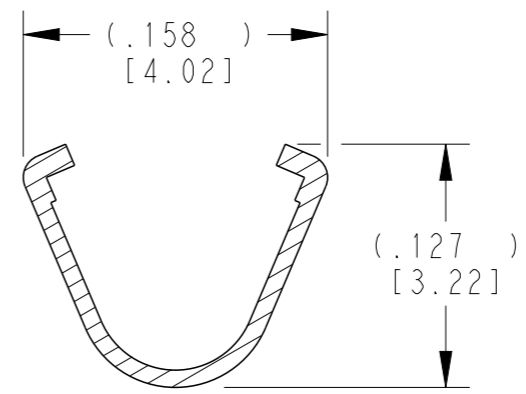
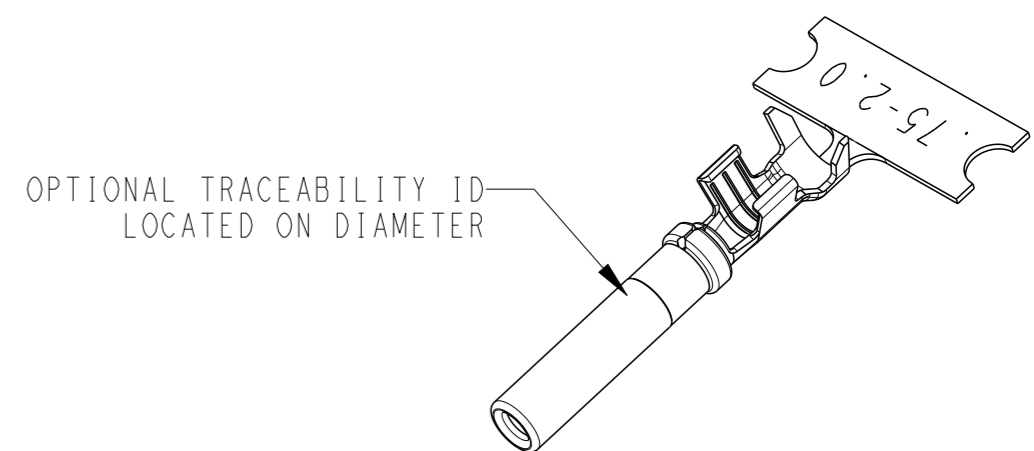
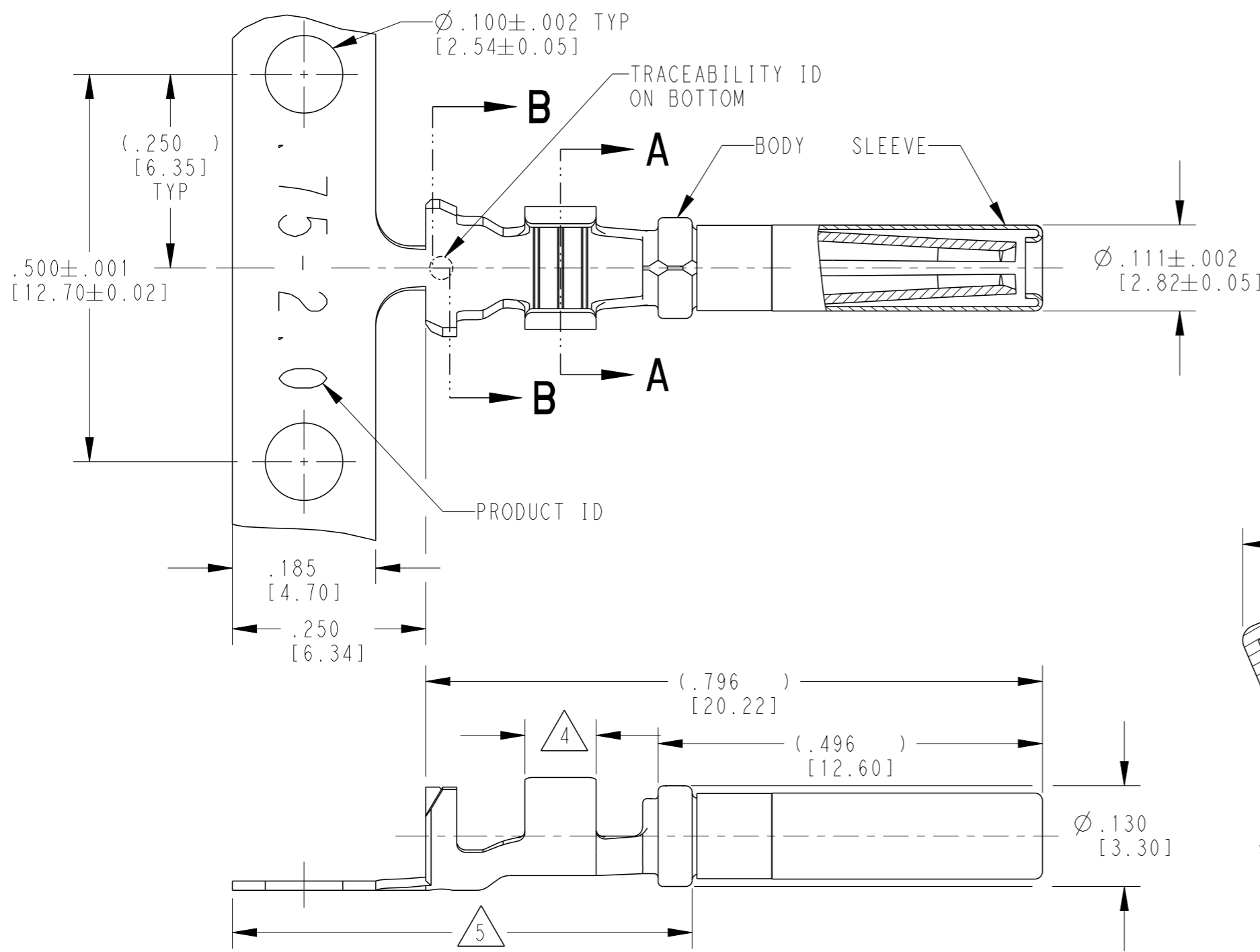


REVISIONS					
P	LTR	DESCRIPTION	DATE	DWN	APVD
	F	REVISED PER ECO-15-007761	28MAY2015	RL	DM
	G	REVISED PER PCN E-20-008101	12JUN2020	DM	DM
	G1	REVISED PER PCN-22-157823	12OCT2022	SP	DM



5 TIN PLATING MAY BE IN THIS REGION.

4 TIN PLATED REGION.

3 MATERIAL:
 BODY: .012 [0.30] THICK COPPER ALLOY
 SLEEVE: STAINLESS STEEL

2. WIRE RANGE: 18 AWG TO 14 AWG [0.75-2.0 mm²]
 INSULATION RANGE: $\phi .075$ - $\phi .140$ [$\phi 1.91$ -3.56]

1 DELETED.

NOTES: UNLESS OTHERWISE SPECIFIED

TE INTERNAL PN	DEUTSCH PN	PLATING
1062-16-0722	1062-16-0722	Ni/Cu overall, Sn/Ni/Cu Wire Barrel
1062-16-0744	1062-16-0744	Selective Au, Ni/Cu overall, Sn/Ni/Cu Wire Barrel
1062-16-0777	1062-16-0777	Sn/Ni/Cu overall

THIS DRAWING IS A CONTROLLED DOCUMENT.

DWN: 01DEC2000 STEVE PALLUTH
 CHK: 05DEC2000 ALEX ROLINSKI
 APVD: 08DEC2000 R REED

PRODUCT SPEC: 108-151000
 APPLICATION SPEC: 114-151000
 WEIGHT: 0.43 g

Customer Drawing

SCALE: 6:1 SHEET: 1 OF 1 REV: G1

TE Connectivity

SOCKET, STAMPED AND FORMED
 SIZE 16
 14-18AWG

SIZE: A3 CAGE CODE: 4AFU8 DRAWING NO: 1062-16-07XX RESTRICTED TO: -