

# Tip Jack Insulated Standard

**SPECIFICATIONS:**

**Contact:** Phosphor bronze per QQ-B-750

**Finish:** Bright tin

**Body:** Nylon 6/6 per ASTM D4066

**Hardware:** Nickel plated nut (unassembled)

**Body Thread Stripping Torque:** 4.0 lb. in.  
(4.5 kg. cm.)

**Panel Thickness:** Up to .437 (11.10)

**RATINGS**

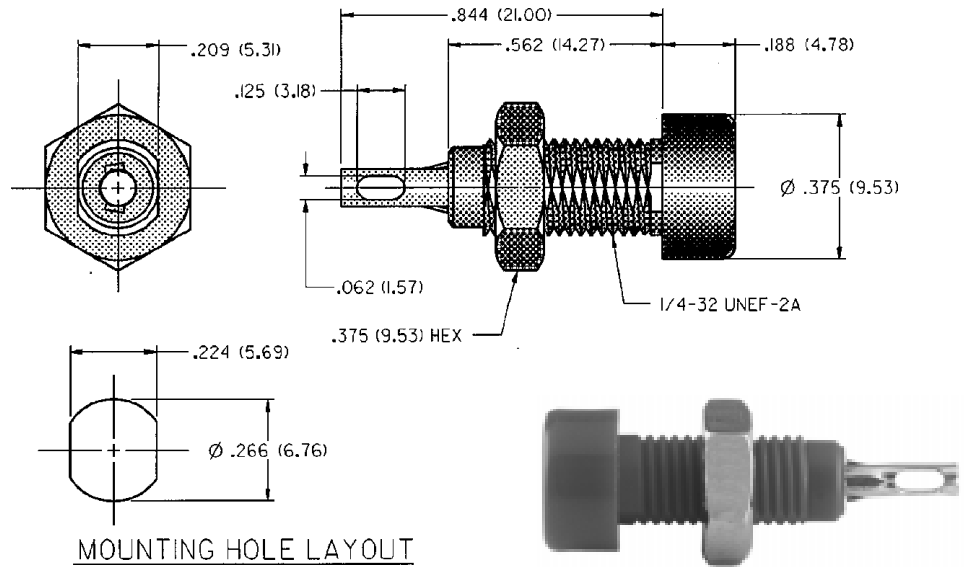
**Current:** 10 amps

**Breakdown Voltage:** 5700 Vrms minimum

**Contact Resistance:** 0.010 ohms maximum

**Contact-To-Panel C:** 2 pF nominal

<b>BRIGHT TIN PLATING</b>	
105-0810-001	Blue



**For Standard Tip Plug: .080 (2.00) Diameter**

**FEATURES:**

- Formed contact with slotted terminal
- Hex socket head .188 (4.77) for ease in mounting
- Nylon UL approved for self extinguishing