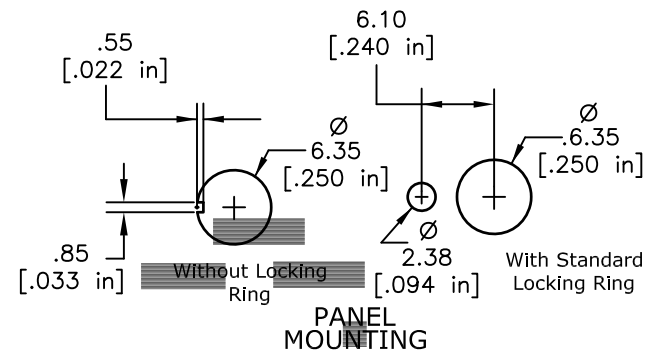
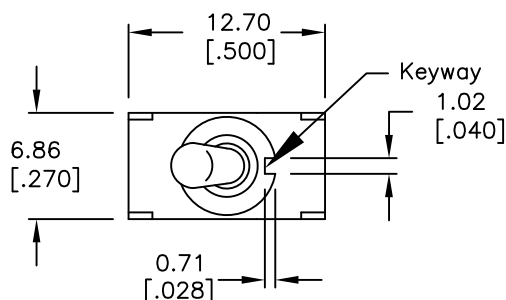
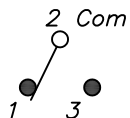


RECOMMENDED P.C.B. LAYOUT

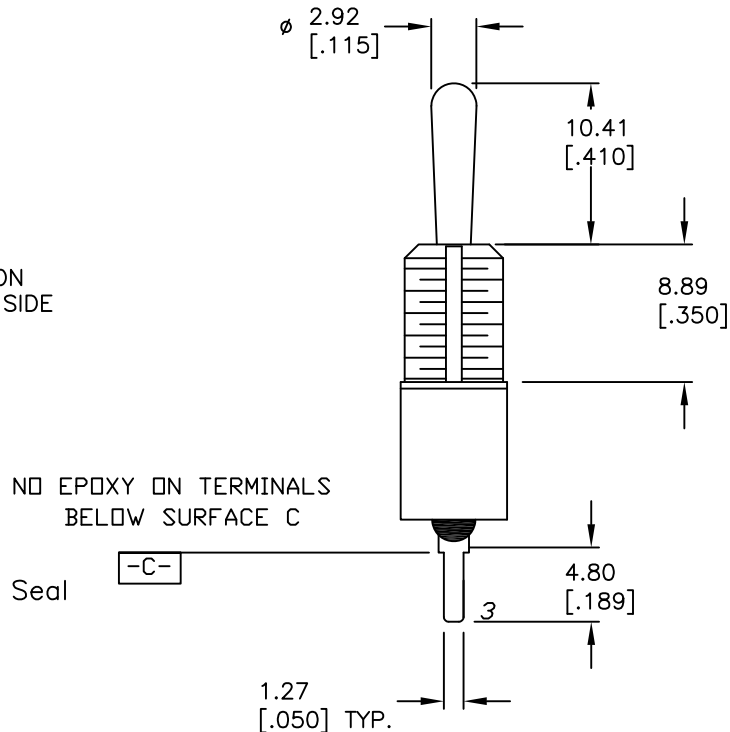
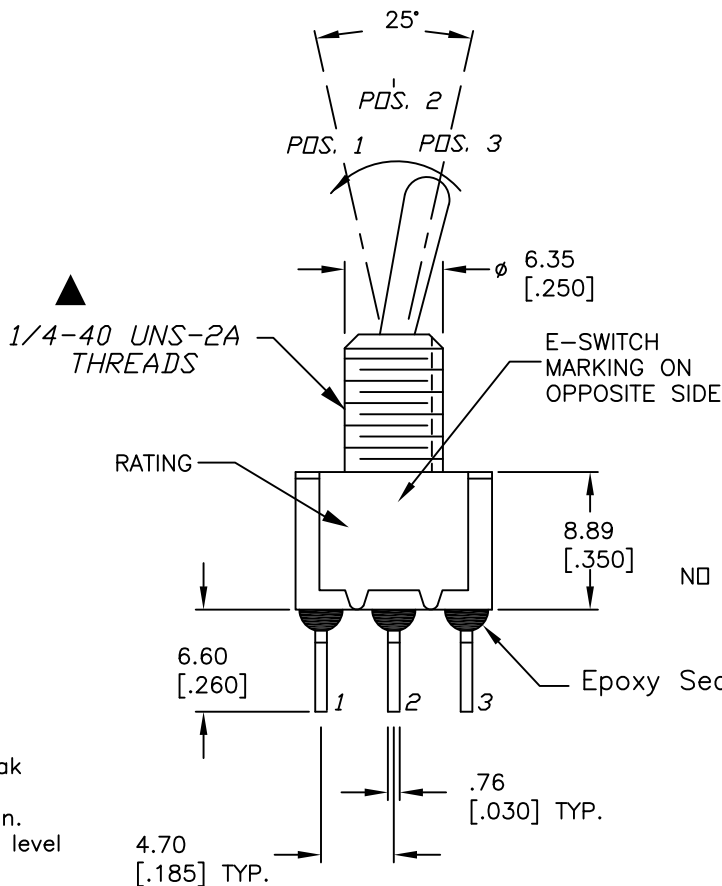


SWITCH FUNCTION		
POS. 1	POS. 2	POS. 3
ON	OFF	ON
2-3	OPEN	2-1

()=Momentary



CIRCUIT: SPDT



NO EPOXY ON TERMINALS BELOW SURFACE C

NOTES:

- ALL DIMENSIONS IN MM [INCH]
- GENERAL TOLERANCE: X.X=±0.4
X.XX=±0.25
- TERM. NOS. FOR REF. ONLY
- RATING: 5A @120VAC or 28VDC;
2A @250VAC
- FIXED TERMINAL/MOVING CONTACT:
Copper Alloy W/Silver Plate.
- ELECTRICAL LIFE: 50,000 make-and-break cycles at full load.
- INSULATION RESISTANCE: 1,000M ohm min.
- DIELECTRIC STRENGTH: 1000V RMS @sea level
- OPERATING TEMP.: -30°C to +85°C
- 2002/95/EC (ROHS) COMPLIANT.
- HARDWARE TO BE SHIPPED BULK

- T100000 - HEXNUT - QTY 2
- T100011 - LOCKWASHER - QTY 1
- T100015 - LOCKRING - QTY 1

12. ▲ DENOTES CRITICAL PARAMETER.



B	23647	DIM FROM 6.35 TO 6.60	10/30/18	MJR
A	18437	RELEASE FOR PRODUCTION	3/13/09	BLR
REV.	ECN No.	DESCRIPTION	DATE	CHKD

THE INFORMATION CONTAINED IN THIS DOCUMENT IS PROPRIETARY TO E-SWITCH AND IS NOT TO BE COPIED OR TRANSFERRED

TITLE				
100SP5T1B1M2QE H				
SCALE	DATE	DR	DWG	REV
2:1	3/13/09	BLR	ST115003	B