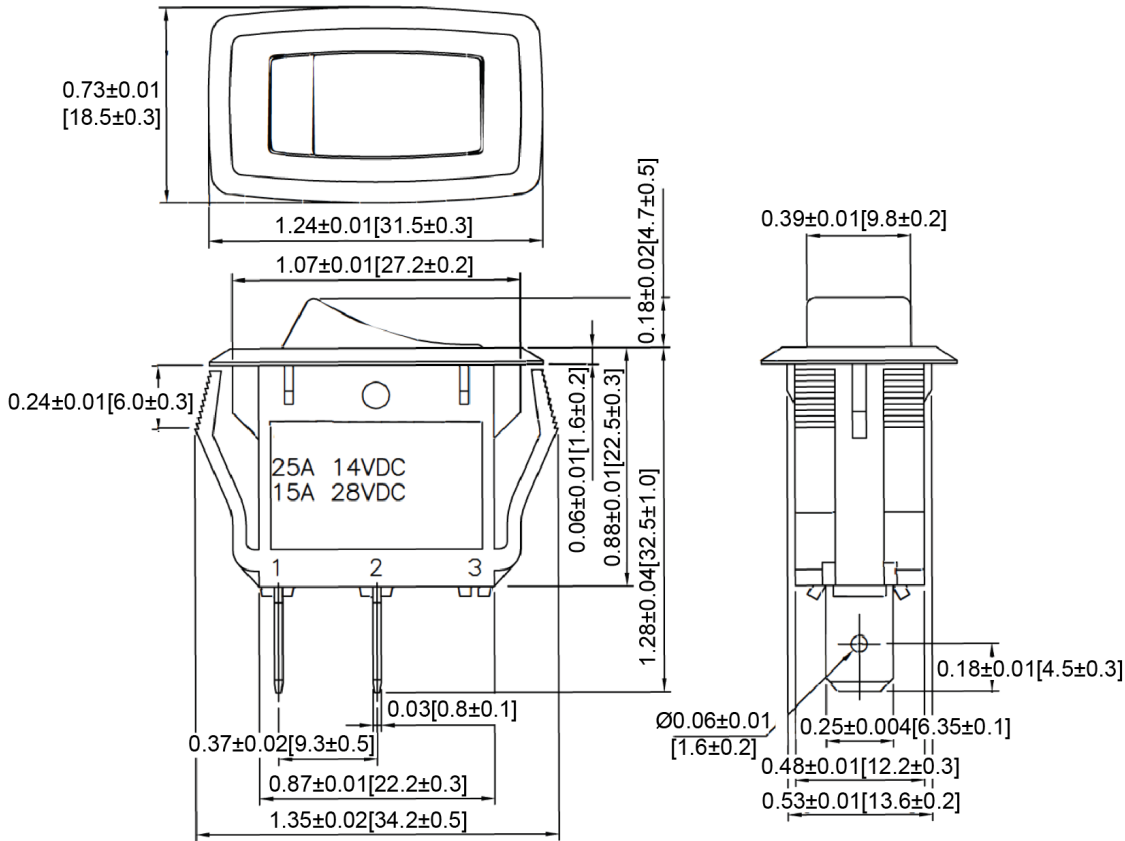
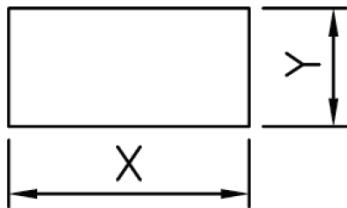


Mechanical Dimensions: Inches [mm]

Tolerances ± 0.012 [0.3] Unless Otherwise Specified



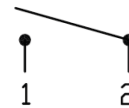
Mounting Hole



| Thickness | X | Y |
|-------------------------|--------------------------|--------------------------|
| 0.03~0.12 [0.75~3.0] | 1.09-0.004 [27.6-0.1] | 0.51+0.004 [13.0+0.1] |
| 0.12~0.16 [3.0-4.0] | 1.09-0.004 [27.8-0.1] | 0.51+0.004 [13.0+0.1] |
| 0.16~0.20 [4.0-5.0] | 1.10-0.004 [28.0-0.1] | 0.51+0.004 [13.0+0.1] |

Circuit Diagram

2P SPST ON-OFF



Electrical Specifications

Rating 16A 12V DC, 10A 28V DC

Contact Resistance 50m ohm Max

Insulation Resistance DC 500V 100M ohm Min

Dielectric Strength AC 1500V 1 minute

Operation Temperature -25°C~85°C

Material Specifications

Frame Nylon#66, Black

Actuator Nylon#66, Black

| Rev | Date of issue | Revision Notes | Designed | Approved |
|-----|---------------|-----------------|----------|----------|
| B | 06-08-2021 | Initial Drawing | RC | OF |