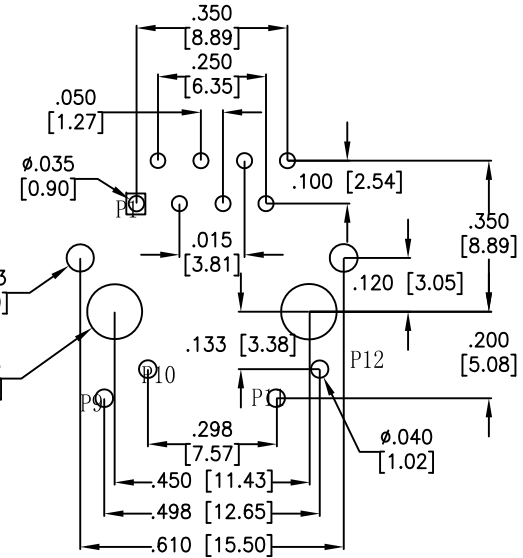
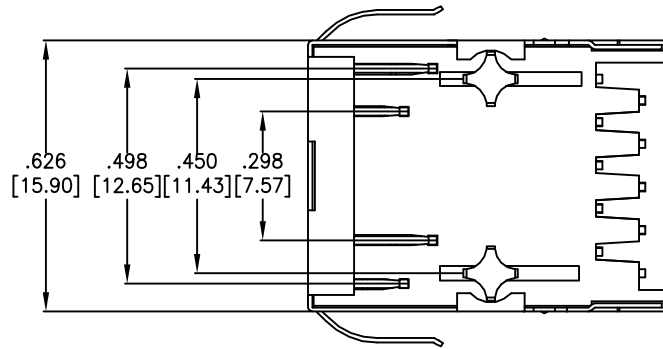
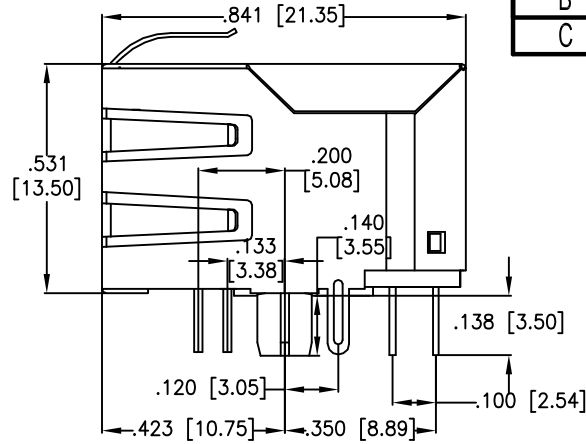
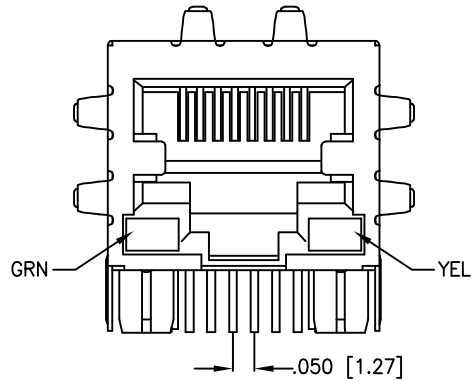


APPROVED: \_\_\_\_\_  
 DATE: \_\_\_\_\_ TITLE: \_\_\_\_\_

| Rev | AWO # | Description      | Date     | Appr |
|-----|-------|------------------|----------|------|
| -   |       | RELEASED         | 11/06/09 |      |
| A   |       | REVISED PIN VIEW | 11/16/09 |      |
| B   |       | REVISED SPEC.    | 5/5/11   |      |
| C   |       | REVISED SPEC.    | 11/15/12 |      |



RECOMMENDED PCB LAYOUT  
(COMPONENT SIDE)

**SPECIFICATIONS:**

Material:  
 Insulator: PBT, glass reinforced, thermoplastic, rated UL 94V-0  
 Insulator color: Black  
 Contacts: Copper Alloy  
 Shield: Copper Alloy, Nickel plated  
 Plating:  
 Round contact  
 Gold over Nickel underplate overall  
 Flat contact  
 Gold over Nickel underplate on contact area,  
 Tin over Nickel underplate on solder tails  
 (See chart for thickness)

| X | PLATING     |
|---|-------------|
| 0 | 15 µin Gold |
| 1 | 30 µin Gold |
| 2 | 50 µin Gold |

Electrical:  
 Operating voltage: 150 VAC max  
 Contact Resistance: 20 mohms max  
 Insulation resistance: 500 Mohms min  
 Dielectric withstanding voltage: 1500 VAC for 1 minute  
 Temperature Rating:  
 Operating temperature: -20°C to +70°C  
 Environmental:  
 Lead free, RoHS compliant.



UNLESS OTHERWISE SPECIFIED  
 ALL DIMENSIONS ARE INCHES [MM]  
 TOLERANCES: EXCEPT AS NOTED  
 INCHES HOLES

|             |              |
|-------------|--------------|
| .X ± .10    | Ø.X ± .10    |
| .XX ± .020  | Ø.XX ± .015  |
| .XXX ± .015 | Ø.XXX ± .010 |

| APPROVALS |    | DATE     |
|-----------|----|----------|
| DRAWN     | DY | 11/06/09 |
| CHECKED   |    |          |
| APPROVED  |    |          |

**ADAM TECH**

909 Rahway Avenue, Union, NJ 07083  
 Phone: 908-687-5000 Fax: 908-687-5710

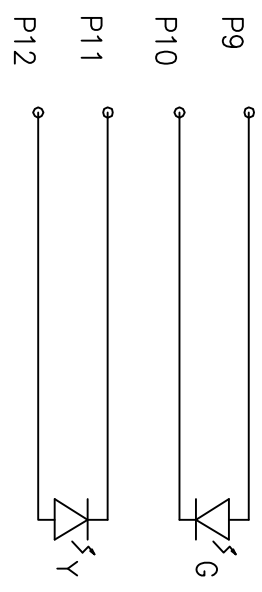
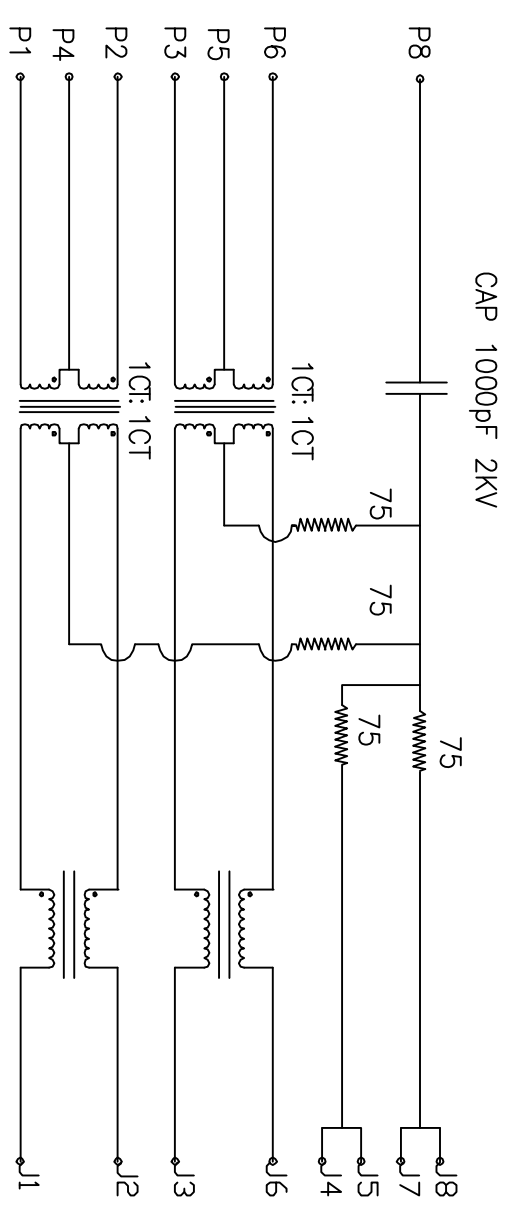
TITLE  
 MODULAR JACK GANGED, 1 PORT, 8P8C  
 W/LED1 GREEN, LED2 YELLOW

| SIZE         | PART NO.                  | REV.         |
|--------------|---------------------------|--------------|
| X            | MTJ-88TX1-FSD-PG-D1LH-M81 | C            |
| REF: S00005C | SCALE: NTS                | SHEET 1 OF 2 |

|     |       |                             |      |      |
|-----|-------|-----------------------------|------|------|
| Rev | AWO # | Description                 | Date | Appr |
|     |       | SEE SHT 1 OF 2 FOR REVISION |      |      |

APPROVED: \_\_\_\_\_

DATE: \_\_\_\_\_ TITLE: \_\_\_\_\_



**ELECTRICAL SPECIFICATIONS:**

- Turns Ratio: (P1 ~ P2) : (J1 ~ J2) 1:1 ±3%  
(P3 ~ P6) : (J3 ~ J6) 1:1 ±3%
- Inductance: (P1 ~ P2) 350uH min. @ 0.1V, 100KHZ, 8mA DC Bias  
(P3 ~ P6) 350uH min. @ 0.1V, 100KHZ, 8mA DC Bias
- Leakage Inductance: P1 ~ P2 (with J1 and J2 Short): 0.35uH Max. @ 1 MHz  
P3 ~ P6 (with J3 and J6 Short): 0.35uH Max. @ 1 MHz
- Interwinding Capacitance: (P1 ~ P2) : (J1 ~ J2): 35pF max. @ 1MHz  
(P3 ~ P6) : (J3 ~ J6): 35pF max. @ 1mhz
- DC Resistance: (J1 ~ J2):(J3 ~ J6) : 1.2 Ohms Max.  
Return Loss: 1MHz to 30MHz: -18dB min  
30MHz to 60MHz: -(18-20log(f/30))dB MIN (WHERE f IS IN MHZ)  
60MHz to 80MHz: -12dB min
- Dielectric Withstanding: (P1~P2) : (J1~J2) :1500VAC or 2250VDC  
(P3~P6) : (J3~J6) :1500VAC or 2250VDC
- Insertion Loss: 100KHZ TO 100MHz : -1.2dB Min.
- Cross Talk: 1MHZ to 100MHz: -35dB Typ.
- Common to Common mode Attenuation 30MHz to 100MHz: -30dB Typ.

UNLESS OTHERWISE SPECIFIED  
ALL DIMENSIONS ARE INCHES [MM]

TOLERANCES: EXCEPT AS NOTED

|             |              |
|-------------|--------------|
| INCHES      | HOLES        |
| .X ± .10    | Ø.X ± .10    |
| .XX ± .020  | Ø.XX ± .015  |
| .XXX ± .015 | Ø.XXX ± .010 |

APPROVALS

|          |    |      |
|----------|----|------|
| DRAWN    | DY | DATE |
| CHECKED  |    |      |
| APPROVED |    |      |

**ADAM TECH**  
909 Ratway Avenue, Union, NJ 07083  
Phone: 908-687-5000 Fax: 908-687-5710

TITLE: MODULAR JACK GANGED, 1 PORT, 8P8C  
W/ LED1 GREEN, LED 2 YELLOW

|      |                          |              |
|------|--------------------------|--------------|
| SIZE | PART NO.                 | REV.         |
| X    | MTJ-88TX1-FSD-PG-D1H-M81 | C            |
| REF: | S0006C                   | SCALE: NTS   |
|      |                          | SHEET 2 OF 2 |