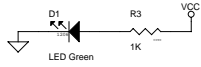
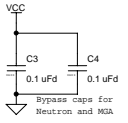
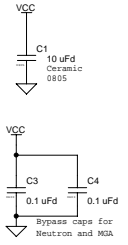
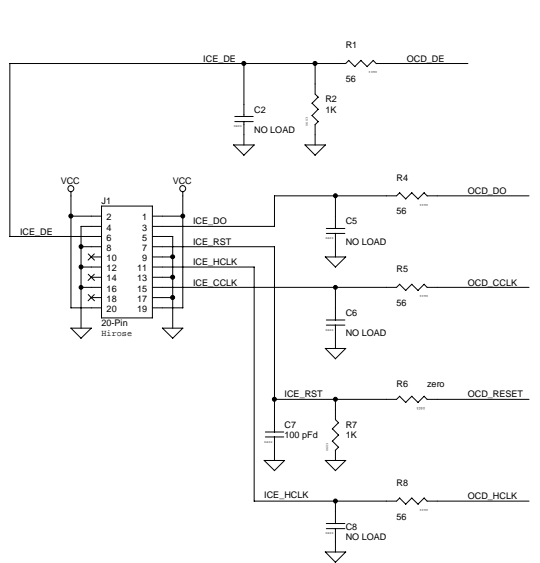
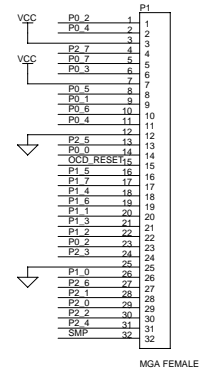
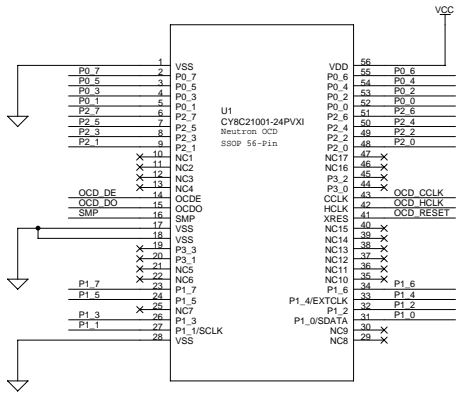


Revision History
 Rev 0.1 Original
 Rev 0.2, 5/23/06, S.Delano, P1 (MGA)
 renumbered to match PCB MGA
 numbering.

Neutron NON-QFN POD Schematic



PCB: PDCR-9323 **
 PCA: 121R-32300 **

CYPRESS SEMICONDUCTOR © 2005		
Neutron NON-QFN POD		
Size C	Document Number REF-13503	Rev 0.2
Date:	Wednesday, May 24, 2006	Sheet 1 of 1