

φ200mm

San Ace 200



Model no. 9EC2048J001 is not certified.

General Specifications

- Material Frame: Aluminum, Impeller: Plastics (Flammability: UL94V-1)
 - Expected Life Refer to specifications (L10:Survival rate:90% at 60°C ,
rated voltage, and continuously run in a free air state)
 - Lead Wire ⊕red ⊖black or blue (Sensor) yellow
 - Storage Temperature -30°C to +70°C (Non-condensing)
- Power on when current is shut off. Do not power on 10sec or more after power off.

φ200mm×70mm (Mass : 1800g) **9EC type**

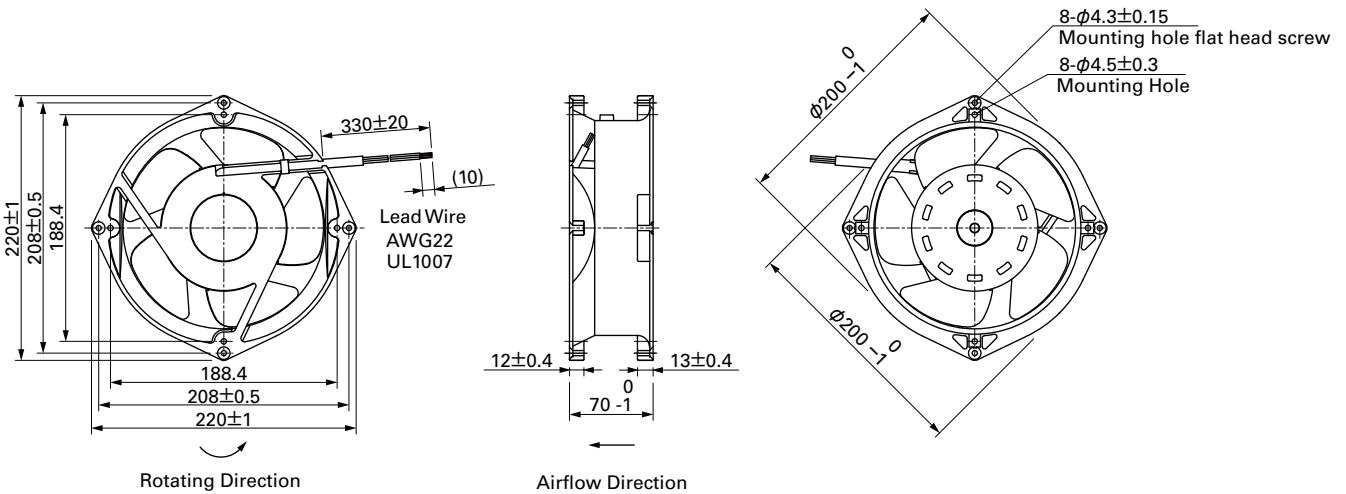
Specifications

The following nos. **have pulse sensors.**

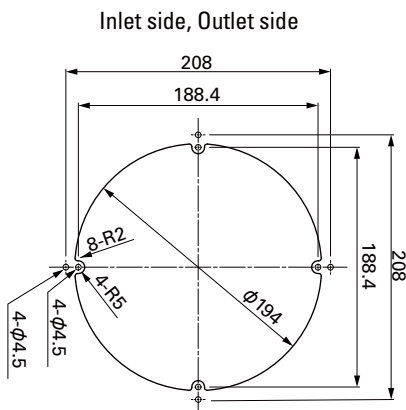
Model No.	Rated Voltage [V]	Operating Voltage Range [V]	Rated Current [A]	Rated Input [W]	Rated Speed [min ⁻¹]	Max. Airflow [m ³ /min] [CFM]	Max. Static Pressure [Pa] [inchH ₂ O]	SPL [dB(A)]	Operating Temperature [°C]	Expected Life [h]
9EC2024H001	24	20.4 to 26.4	2.0	48.0	3,600	11.0 388	360 1.446	60	-20 to +60	40,000/60°C
9EC2048J001	48	40.8 to 55.2	4.4	211.2	6,100	18.3 646	1,000 4.016	75		
9EC2048A001		43.0 to 51.0	2.2	105.6	4,800	14.7 519	640 2.570	68		
9EC2048H001		40.8 to 52.8	1.2	57.6	3,600	11.0 388	360 1.446	60		

Models without sensors, or with lock sensors, or PWM control function are available as options. Please refer to the index (p. 471).

Dimensions (unit: mm)



Reference Dimensions of Mounting Holes and Vent Opening (unit: mm)



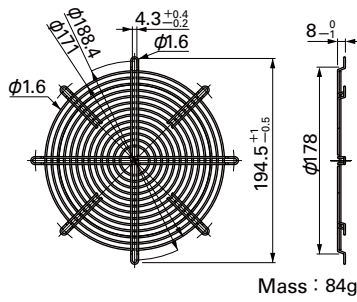
Options (unit: mm)

Finger Guards

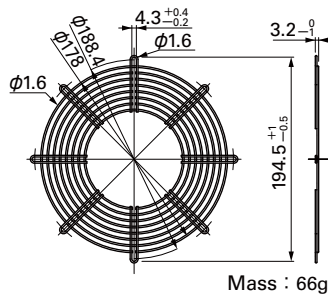
Model : 109-720 Surface treatment : Nickel-chrome plating (silver) Color : 109-720H Cation electropainting (black)

Model : 109-721 Surface treatment : Nickel-chrome plating (silver) Color : 109-721H Cation electropainting (black)

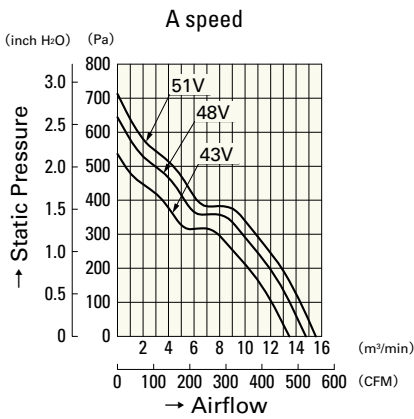
Inlet side, Outlet side



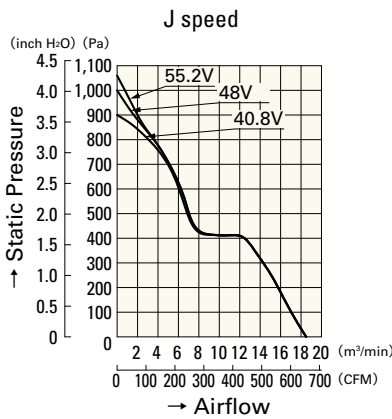
Outlet side



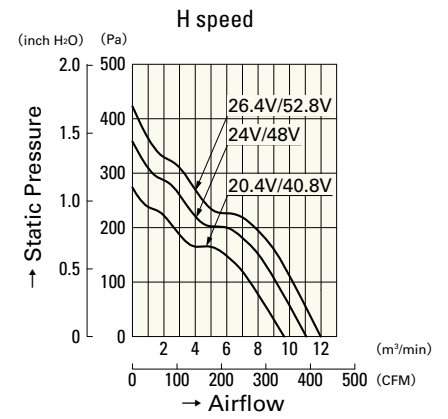
Airflow - Static Pressure Characteristics



9EC2048A001



9EC2048J001



9EC2024H001

9EC2048H001