

**Materials**

1. Contact: zinc, 1-1.5 µm nickel plated
2. Shell: stainless steel, 1-2 µm nickel plated
3. Insulator: POM, black
4. Insulation paper: micarex, natural color
5. Screw: stainless steel

**Ratings**

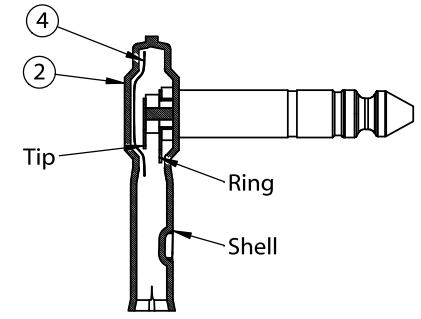
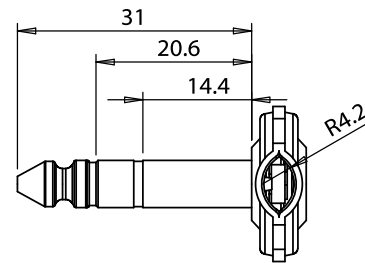
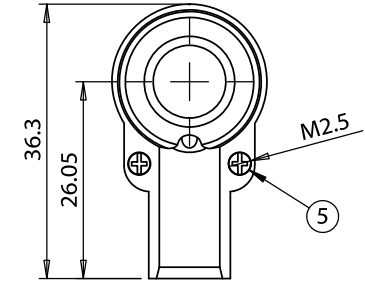
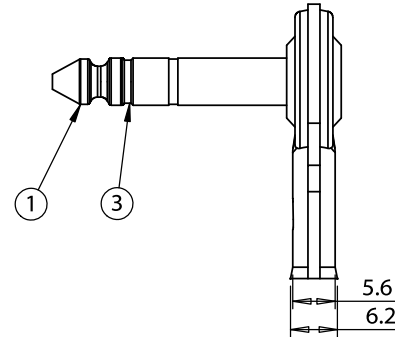
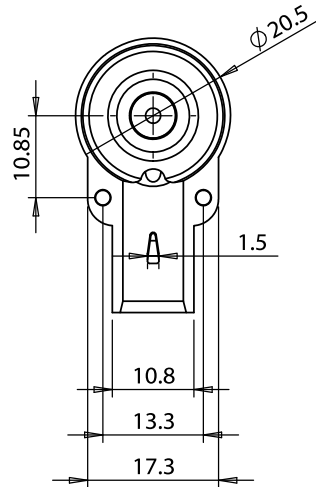
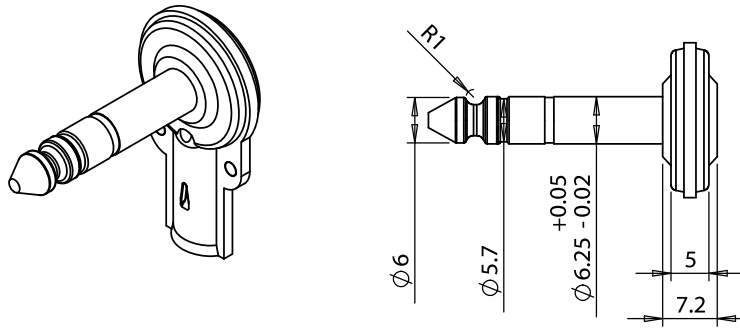
Operating temperature: -30°C ~60°C  
 Current rating: 10 A @ 250 Vac, 10 A @ 500 Vdc

**Electrical requirements**

Withstand voltage: 500 - 2000 Vac, 800 Vdc  
 Insulation resistance: ≥ 100 MΩ  
 Contact resistance: ≤ 20 mΩ

**Mechanical requirements**

Insertion force: 1.0 - 2.0 kgf  
 Withdrawal force: 1.0 - 2.0 kgf



Cross section

REVISION	DATE	DESCRIPTION
A	12/5/11	initial release
A1	10/1/12	updated to show coating
A2	6/18/13	updated description
A3	3/12/14	changed materials

**PREPARED:**

JM  
 2014.03.13 10:25:31 -07'00'

**VERIFIED:**

**LA**  
Digitally signed by L.A.  
 DN: cn=L.A., ou=Tensility, ou,  
 email=QA0001@tensility.com,  
 c=US  
 Date: 2014.03.13 11:45:20 -07'00'

**DIMENSIONS ARE IN MILLIMETERS**

**TOLERANCES:**  
 X: ± 0.5 mm  
 X.X: ± 0.3 mm  
 X.XX: ± 0.05 mm

**NOTES**

RoHS compliant

Function test: no open, no short circuit, no INT

Tip and ring solder contact orientation may vary. This doesn't affect the function or performance of the connector.

**DESCRIPTION:**

Connector, audio plug, 6.3 mm, right angle, shielded handle, assembly type

**TENSILITY**

**20802 Sockeye Place #130  
 Bend, OR 97701 USA  
 tel 541.323.3228 fax 541.323.4202  
 800 877.670.7118 www.tensility.com**

**SIZE PART NUMBER**  
 A **50-00185**

SCALE: 5:1 WEIGHT: SHEET 1 OF 1