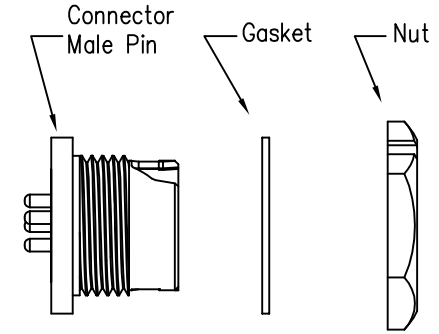
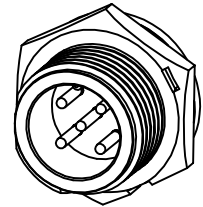
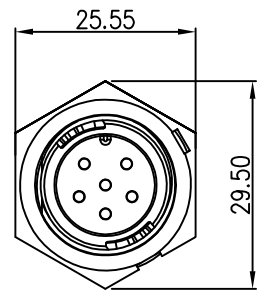
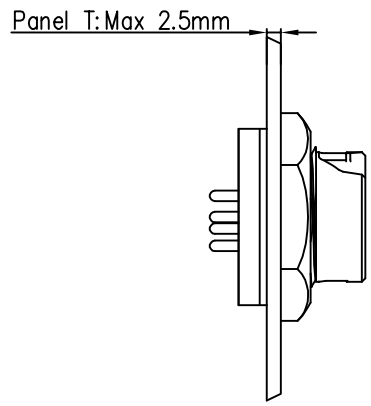
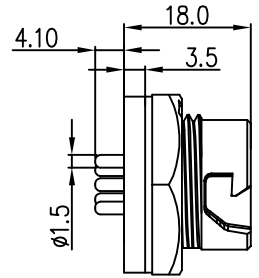
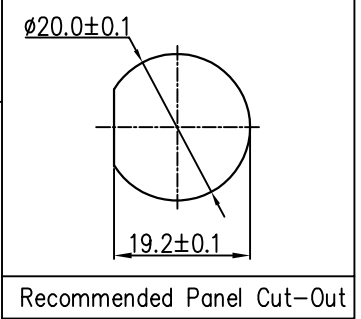
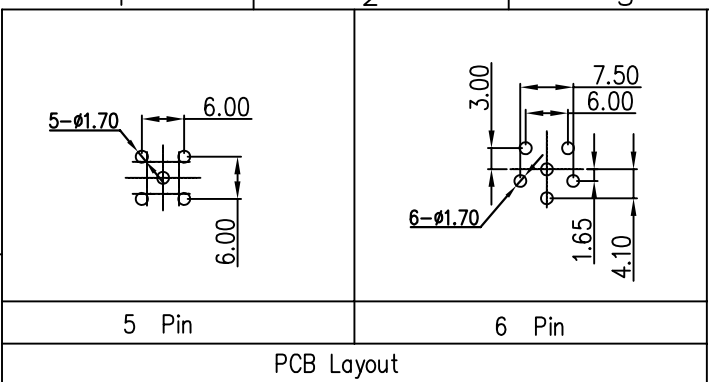
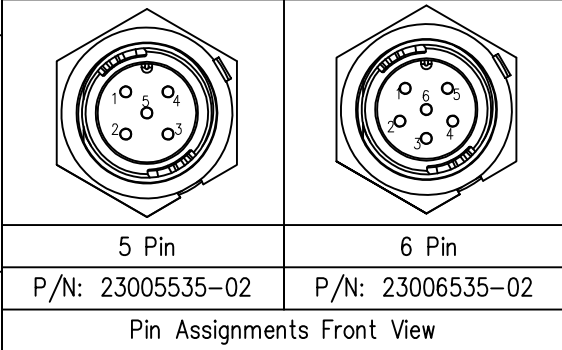


THIS INFORMATION IS CONFIDENTIAL AND IS DISCLOSED TO YOU ON CONDITION THAT NO FURTHER DISCLOSURE IS MADE BY YOU TO OTHER THAN CHOGORI PERSONNEL WITHOUT AUTHORIZATION FROM CHOGORI CORP.

REV.	ECN NO.	DESCRIPTION	SIGN	DATE
C1	N/A	INITIAL DRAWING	Liu	2020/05/17



23XXX535-02  
Pin Number



- Specification:
- 1.Operation Temperature: -45°C~105°C.
  - 2.Insulation Resistance: 100MΩ at DC500V.
  - 3.Contact Resistance: <10mΩ.
  - 4.Withstand Voltage: 1500V AC
  - 5.Operating Current: 10A
  - 6.Operating Voltage: AC 125V
  - 7.Waterproof Rate: IP67 (Mated)
  - 8.Housing: Nylon, Black
  - 9.Male Pin: Copper Alloy, Gold Plated
  - 10.Gasket: Silicon Gray
  - 11.Panel Nut: Nylon, Orange
  - 12.Torque Rate: 0.8~1.0N • m
  - 13.RoHS Compliant.
  - 14.Mating Cap P/N: 806-00047-00

UNIT:mm  TOLERANCE .X ±0.25 .XX ±0.15 .XXX ±0.05 ANGLES ±1°	DESCRIPTION Middle Series Push Lock Front Mount With Male Pin			PART NO	23XXX535-02	DRAWN BY	Liu	DATE	2020/05/17		
	SCALE	1:1		SHEET	1 OF 1	DWG NO		CHECKED BY	Mo	DATE	2020/05/17
	REV.	C1		SIZE	A4			APPROVED BY	Adley	DATE	2020/05/17