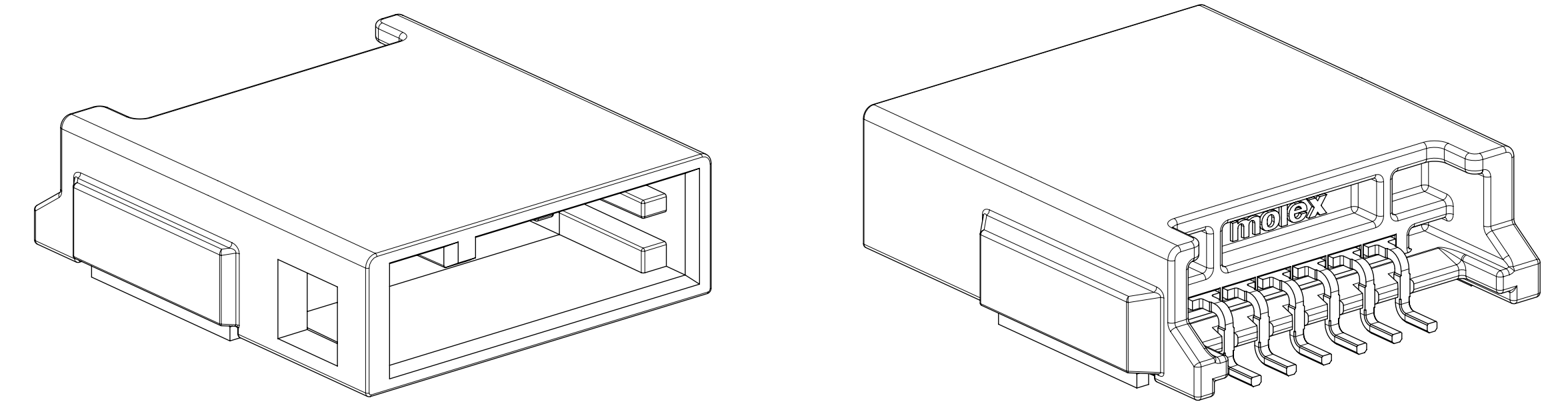


**EXAMPLE:**

PN 2080333041  
 208033 - SERIES NUMBER: SINGLE ROW RIGHT ANGLE SMT HEADER - STD. PERF.  
 3 - TYPE OF COMPONENT: V0 MATERIAL; FULLY POPULATED  
 04 - 4 USABLE CIRCUITS  
 1 - KEY A

FINAL PART: 4CKT SINGLE ROW RIGHT ANGLE V0 SMT HEADER - KEY A

# CONNTAK50 SINGLE ROW RIGHT ANGLE SMT HEADERS (6CKT SHOWN)



	SERIES NUMBERS (AAAAAA)	TYPE OF COMPONENT (B)	USABLE CIRCUITS (CC)	KEY (D)
MATING COMPONENT	205827 - SR TANG RECEPTACLE	2 - STD MATL; FULLY POPULATED 3 - V0 MATL; FULLY POPULATED	02 - 2 Circuits	1 - KEY A
ON DRAWING	208037 - SR CLEAN BODY RECEPTACLE		...	2 - KEY B
	208033 - SR RIGHT ANGLE SMT HEADER - STANDARD PERF.		...	3 - KEY C
OTHER	208035 - SR VERTICAL SMT HEADER - STANDARD PERF.		11 - 11 Circuits	4 - KEY D

**NOTES:**

- VALID UNLESS OTHERWISE SPECIFIED
- GENERAL:
    - APPLICATION SPECIFICATION SEE: 2046310000-AS
    - PRODUCT SPECIFICATION SEE: 2046310000-PS
    - PACKAGING SPECIFICATION PER MOLEX DRAWING: 2080333021-PK
      - PACKAGING IS TAPE & REEL
    - COMPATIBLE WITH STANDARD AK INTERFACE C-114-94000-20 REV A1
    - CONFORMS TO MOLEX AK INTERFACE 2046310001 REV A
      - MOLEX AK INTERFACE IS PART OF PPAP
    - TRACEABILITY MARKED IN AREA SHOWN. MARK IS CODED AS FOLLOWS:
      - ROW 1 ("XXXXXXXX" OR "XXXXXXXX-X"):
        - "XXXXXXXX" IS MOLEX PART NUMBER ("-X" INDICATES ASSEMBLY LINE NUMBER IF APPLICABLE)
      - ROW 2 (HHDDYY Z)
        - 1ST & 2ND DIGITS (HH): HOUR OF ASSEMBLY (24 HOUR CLOCK) (EXAMPLE: 15:00 --> "15", 7:00 --> "07")
        - 3RD THRU 5TH DIGITS (DDD): JULIAN DATE (EXAMPLE: FEBRUARY 3RD --> "034")
        - 6TH & 7TH DIGITS (YY): LAST 2 DIGITS OF CALENDAR YEAR (EXAMPLE: 2013 --> "13")
        - 8TH DIGIT (Z): PERFORMANCE MARKING.
  - DESIGN - MATERIALS:
    - SHROUD (PLASTIC HOUSING): PA9T-GF30%
    - BLADES:
      - STANDARD PERFORMANCE BLADES
      - BASE MATERIAL: C26000 BRASS
      - UNDERPLATING (CONTACT REGION): NICKEL 1.0 - 1.8 μm
      - OVERPLATING (CONTACT REGION): MATTE TIN: 1.0 - 3.0 μm
  - DESIGN - GEOMETRY:
    - GEOMETRIC DIMENSIONS AND TOLERANCES PER ASME Y14.5M-2009

INTERFACE	INTERFACE CKT SIZE	DIM A	DIM B	DIM C	DIM D	DIM E	DIM F	KEY	COLOR	PART NUMBER	TOOLING STATUS
	2	11.95	10.45	4.95	0.375	5.60	0.375	A	BLACK	2080333021	AVAILABLE
								B	NATURAL	2080333022	
								C	BLUE	2080333023	
								D	VIOLET	2080333024	
	3	13.75	12.25	5.85	1.275	6.50	1.275	A	BLACK	2080333031	AVAILABLE
								B	NATURAL	2080333032	
								C	BLUE	2080333033	
								D	VIOLET	2080333034	
	4	15.55	14.05	6.75	2.175	7.40	2.175	A	BLACK	2080333041	AVAILABLE
								B	NATURAL	2080333042	
								C	BLUE	2080333043	
								D	VIOLET	2080333044	
	5	17.35	15.85	7.65	3.075	8.30	3.075	A	BLACK	2080333051	AVAILABLE
								B	NATURAL	2080333052	
								C	BLUE	2080333053	
								D	VIOLET	2080333054	
	6	19.15	17.65	8.55	3.975	9.20	3.975	A	BLACK	2080333061	AVAILABLE
								B	NATURAL	2080333062	
								C	BLUE	2080333063	
								D	VIOLET	2080333064	
	7	20.95	19.45	9.45	4.875	10.10	4.875	A	BLACK	2080333071	INQUIRE FOR AVAILABILITY
								B	NATURAL	2080333072	
								C	BLUE	2080333073	
								D	VIOLET	2080333074	
	8	22.75	21.25	10.35	5.775	11.00	5.775	A	BLACK	2080333081	INQUIRE FOR AVAILABILITY
								B	NATURAL	2080333082	
								C	BLUE	2080333083	
								D	VIOLET	2080333084	
	9	24.55	23.05	11.25	6.675	11.90	6.675	A	BLACK	2080333091	INQUIRE FOR AVAILABILITY
								B	NATURAL	2080333092	
								C	BLUE	2080333093	
								D	VIOLET	2080333094	
	10	26.35	24.85	12.15	7.575	12.80	7.575	A	BLACK	2080333101	INQUIRE FOR AVAILABILITY
								B	NATURAL	2080333102	
								C	BLUE	2080333103	
								D	VIOLET	2080333104	
	11	28.15	26.65	13.05	8.475	13.70	8.475	A	BLACK	2080333111	INQUIRE FOR AVAILABILITY
								B	NATURAL	2080333112	
								C	BLUE	2080333113	
								D	VIOLET	2080333114	

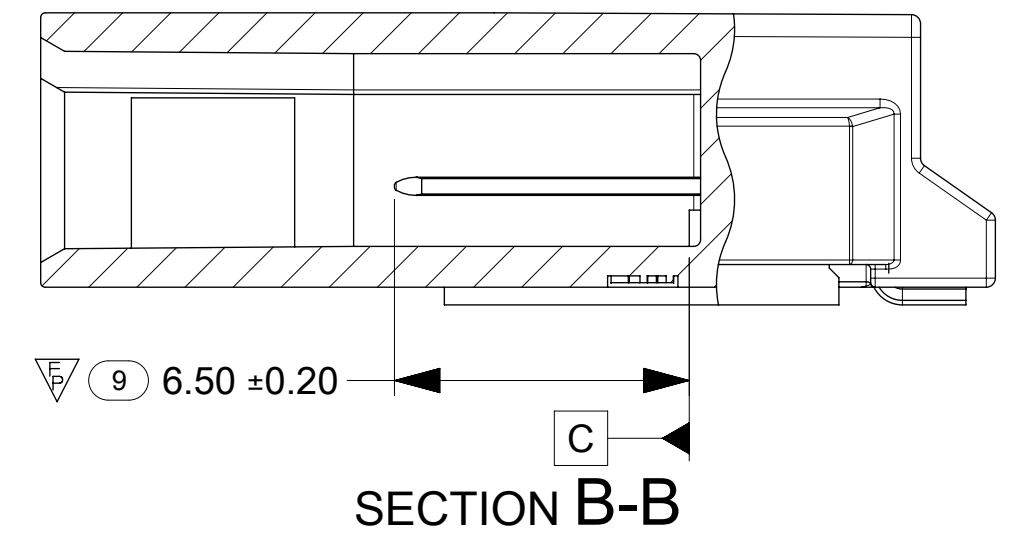
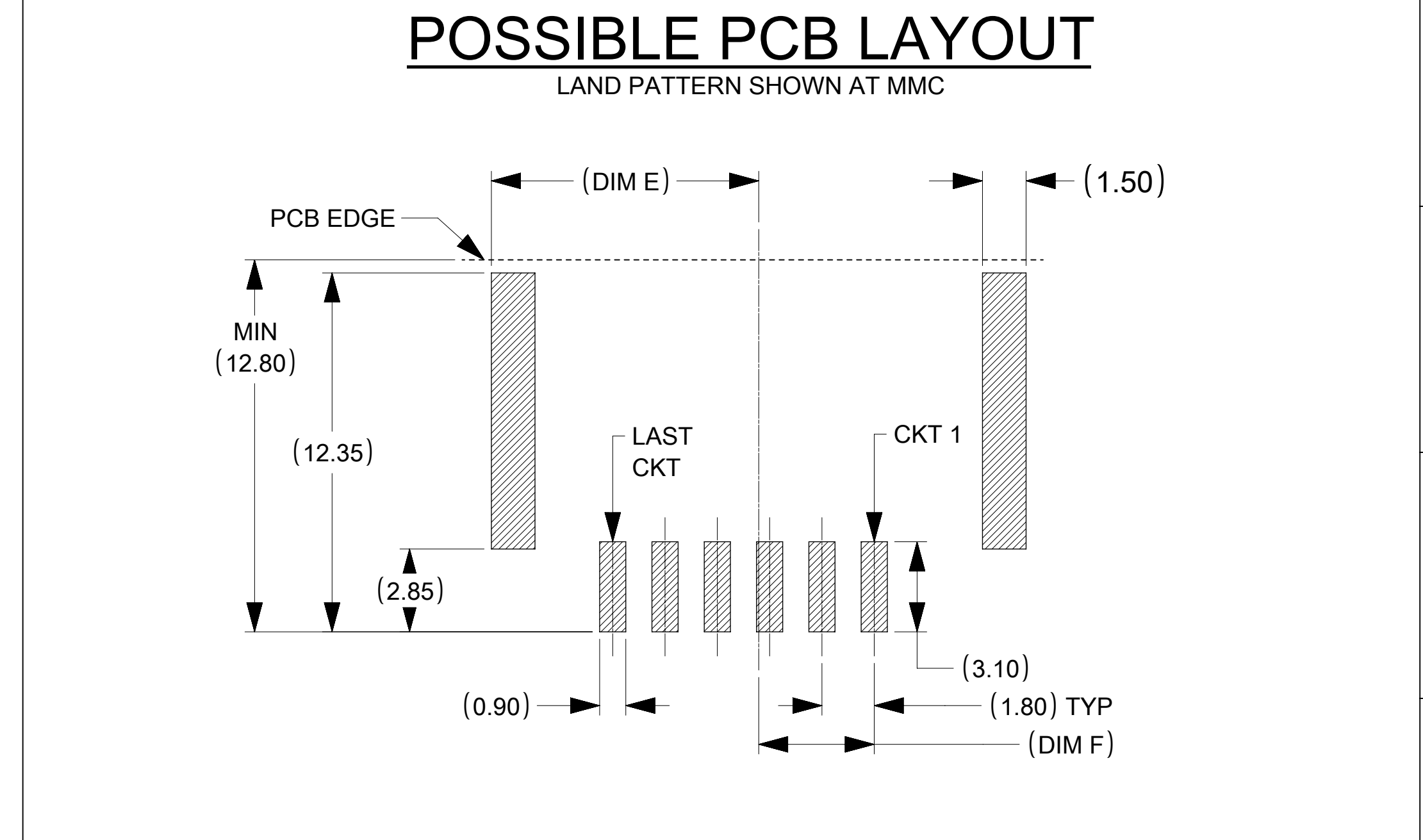
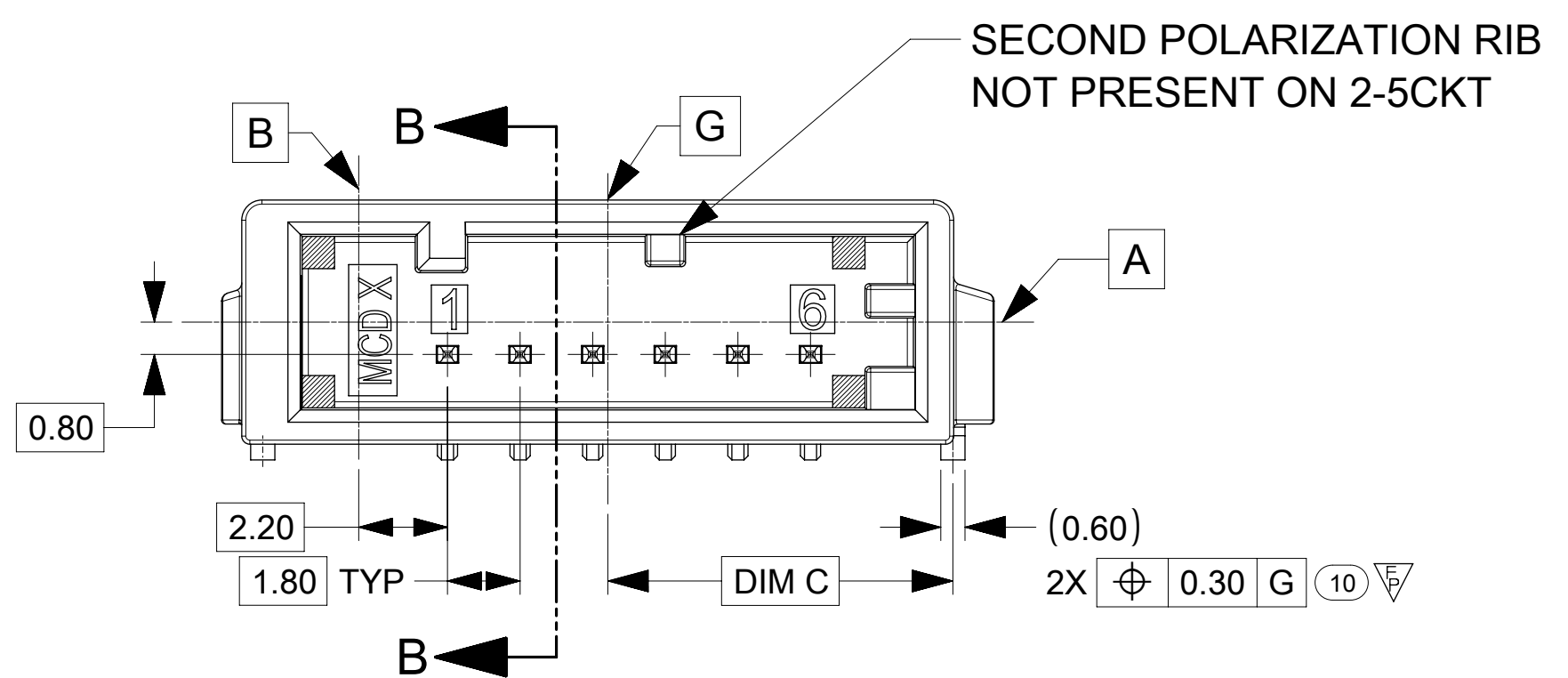
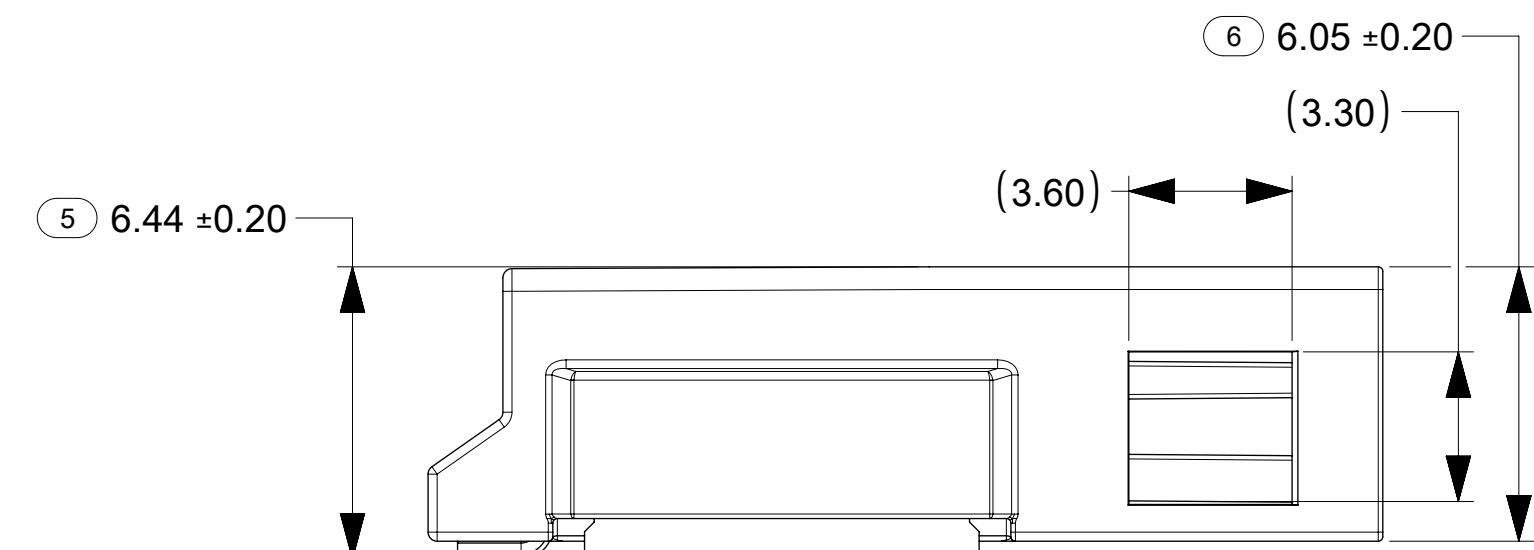
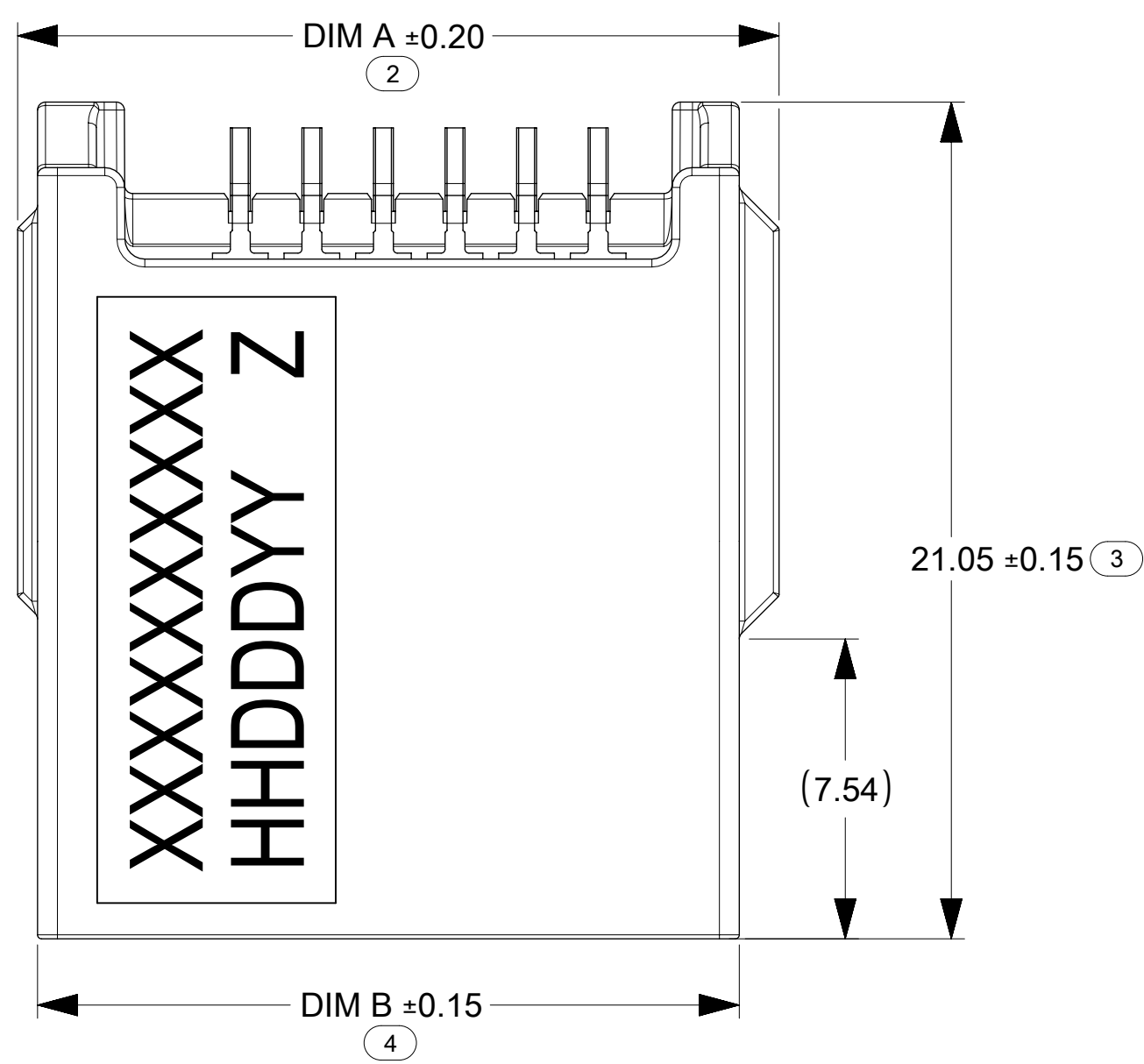
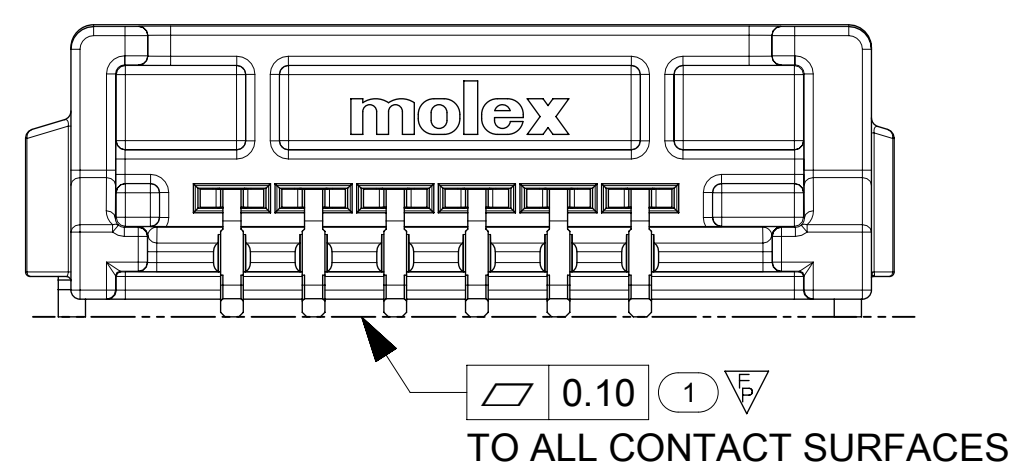
STANDARD PERF.  
RIGHT ANGLE  
V0 SMT HEADER

PERFORMANCE  
MARK: S

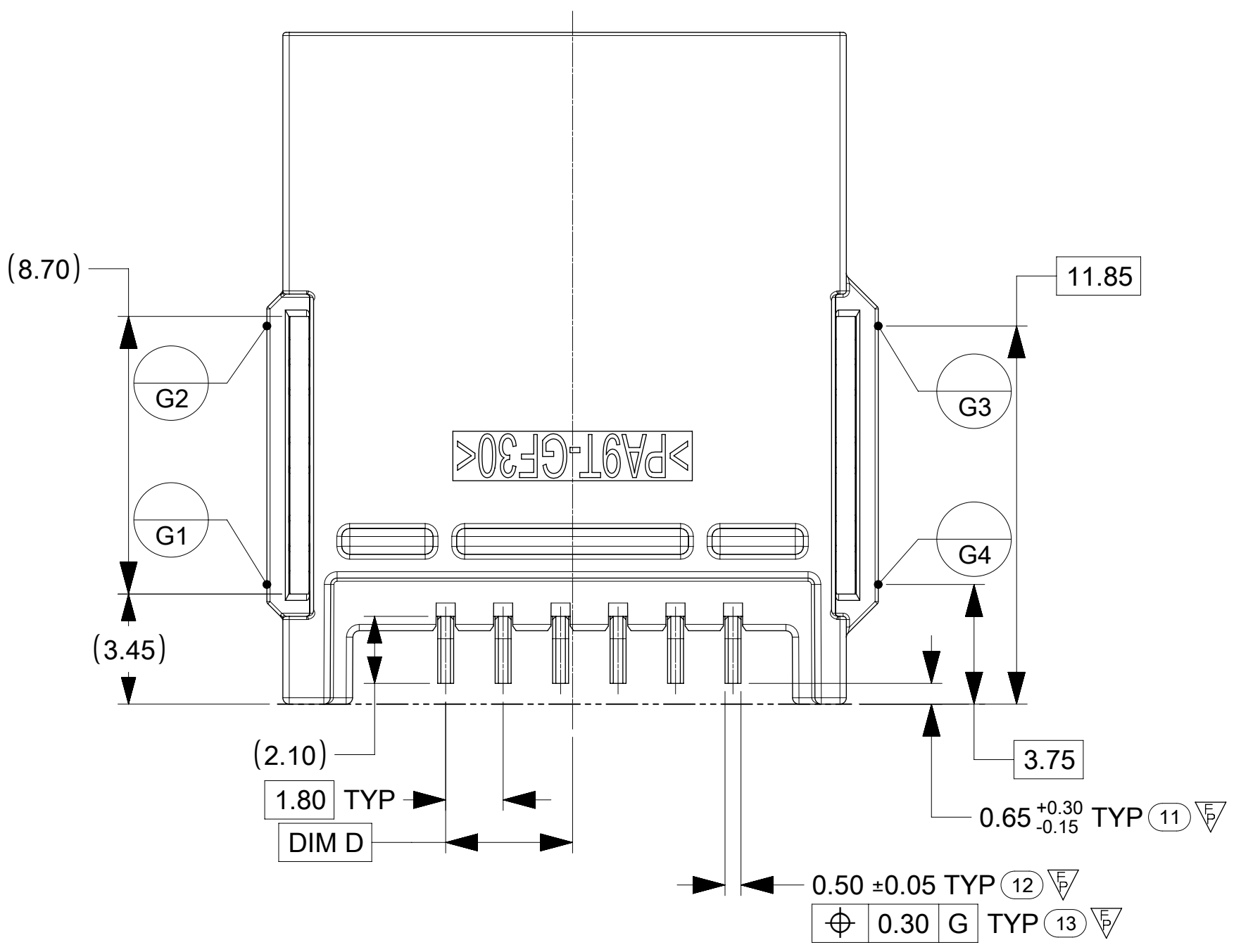
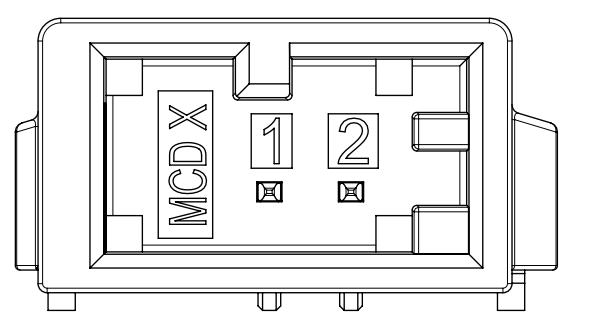
INSPECTION BALLOON LOG		B4	UPDATED: POL B COLOR FROM GREY TO NATURAL IN BOM
PER DRAWING REVISION: B4		B3	NO CHANGE TO SALES DRAWING, CHANGED ENGINEERING AND ASSEMBLY DRAWINGS
LAST BALLOON USED: 13		B2	UPDATED TOLERANCE ON DIM 6 FROM 0.05 TO 0.20MM
ADDED BALLOON NUMBERS: 10, 11, 12, 13		B1	UPDATED SR CLEAN BODY SERIES NUMBER SHOWN IN TABLE, CORRECTED DIM D
REMOVED BALLOON NUMBERS: 7, 8		B	REMOVED DATUMS D, E, & F; ADDED DATUM G; UPDATED PCB LAYOUT; REMOVED DIM 7, 8; ADDED DIMS 10, 11, 12, 13; REMOVED HIGH PERFORMANCE PART NUMBERS; UPDATED STANDARD PERFORMANCE PLATING
THIS DRAWING CONTAINS INFORMATION THAT IS PROPRIETARY TO MOLEX ELECTRONIC TECHNOLOGIES, LLC AND SHOULD NOT BE USED WITHOUT WRITTEN PERMISSION		A3	UPDATED DIMS 7 & 8 FROM 0.20 TO 0.25MM; UPDATED DIM E; ADDED DIM 9
DIMENSION UNITS: mm		A2	UPDATED VARIABLE DIMENSION TABLE; ORDER OF VARIABLE DIMENSIONS HAS CHANGED; DIM G IS CREATED.
SCALE: 5:1		A1	LATCH WALL MODIFICATION; DATUM D & DATUM E CHANGE; TRACEABILITY MARKINGS ADDED
CURRENT REV DESC:		REV	DESCRIPTION
GENERAL TOLERANCES (UNLESS SPECIFIED)		<p>EC NO: 675538</p> <p>DRWN: KHEWITT 2021/08/19</p> <p>CHK'D: VBALASUBRAMA 2021/08/23</p> <p>APPR: JDUNAJ 2021/08/26</p> <p>INITIAL REVISION:</p> <p>DRWN: ECOLARUSSO 2018/11/05</p> <p>APPR: JDUNAJ 2018/12/20</p>	
ANGULAR TOL ± °		<p>CONNTAK50 SR R/A SMT SALES DRAWING (SINGLE ROW RIGHT ANGLE SMT HEADER)</p> <p>PRODUCT CUSTOMER DRAWING</p>	
4 PLACES ±		DOCUMENT NUMBER: 2080330003	
3 PLACES ±		DOC TYPE: PSD	
2 PLACES ±		DOC PART: 000	
1 PLACE ±		REVISION: B4	
0 PLACES ±		MATERIAL NUMBER: SEE TABLE	
DRAFT WHERE APPLICABLE MUST REMAIN WITHIN DIMENSIONS		CUSTOMER: GENERAL MARKET	
THIRD ANGLE PROJECTION		SHEET NUMBER: 1 OF 2	
D-SIZE		SERIES: 208033	

6CKT KEY A (2080333061) SHOWN EXCEPT WHERE NOTED

REFER TO 2046310001 FOR INTERFACE DIMENSIONS



2CKT SHOWN FOR REFERENCE



KEYING OPTIONS			
<b>KEY A</b> (BLACK)  SCALE 8:1	<b>KEY B</b> (GREY)  SCALE 8:1	<b>KEY C</b> (BLUE)  SCALE 8:1	<b>KEY D</b> (VIOLET)  SCALE 8:1

THIS DRAWING CONTAINS INFORMATION THAT IS PROPRIETARY TO MOLEX ELECTRONIC TECHNOLOGIES, LLC AND SHOULD NOT BE USED WITHOUT WRITTEN PERMISSION

DIMENSION UNITS: mm	SCALE: 6:1	CURRENT REV DESC:	
GENERAL TOLERANCES (UNLESS SPECIFIED)		EC NO: 675538	
ANGULAR TOL: ± °	4 PLACES: ±	DRWN: KHEWITT	2021/08/19
3 PLACES: ±	2 PLACES: ±	CHK'D: VBALASUBRAMA	2021/08/23
1 PLACE: ±	0 PLACES: ±	APPR: JDUNAJ	2021/08/26
DRAFT WHERE APPLICABLE MUST REMAIN WITHIN DIMENSIONS		INITIAL REVISION:	
THIRD ANGLE PROJECTION		DRWN: ECOLARUSSO	2018/11/05
D-DRAWING		APPR: JDUNAJ	2018/12/20
SERIES: D-SIZE 208033		MATERIAL NUMBER: 2080330003	
CUSTOMER: GENERAL MARKET		DOC TYPE: PSD	
SHEET NUMBER: 2 OF 2		DOC PART: 000	
REVISION: B4		DOC PART: 000	