

THIS DRAWING IS UNPUBLISHED.

RELEASED FOR PUBLICATION

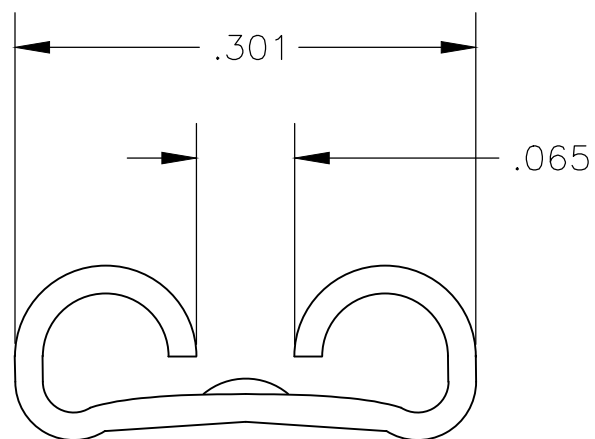
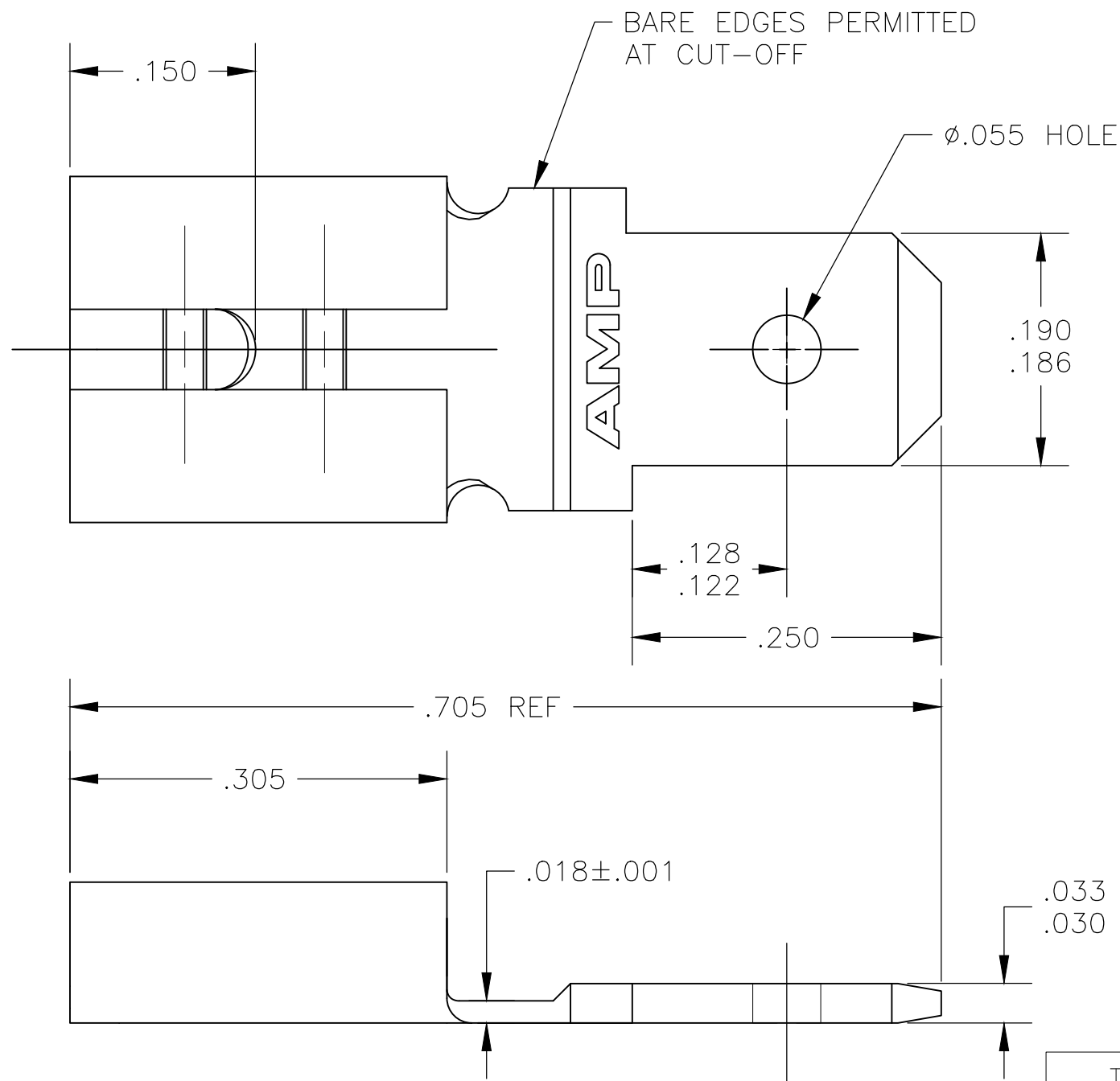
REVISIONS

© COPYRIGHT - By -

ALL RIGHTS RESERVED.

P	LTR	DESCRIPTION	DATE	DWN	APVD
	B1	REVISED PER ECO-19-011732	29JUL2019	RS	DH

- 1 SUPPLIED IN LOOSE PIECE
- 2 MATING TAB THK IS $.032 \pm .001$



TIN PLATED	1742597-2
---	1742597-1
FINISH	PART NO

THIS DRAWING IS A CONTROLLED DOCUMENT.		DWN	JR RUTH	11MAY07	STE TE Connectivity				
DIMENSIONS: INCHES		CHK	P DESANTIS	11MAY07					
TOLERANCES UNLESS OTHERWISE SPECIFIED:		APVD	P DESANTIS	11MAY07	NAME ADAPTER, FASTON, .250 SERIES RECPT WITH A .187 SERIES TAB				
0 PLC ± -		PRODUCT SPEC		APPLICATION SPEC					
1 PLC ± -		---		---					
2 PLC ± -		---		---					
3 PLC ± .010		---		---					
4 PLC ± -		---		---					
ANGLES ± 1°		---		---					
MATERIAL BRASS		FINISH -		WEIGHT 0.000000		SIZE A3	CAGE CODE 00779	DRAWING NO C-1742597	RESTRICTED TO -
CUSTOMER DRAWING				SCALE 8:1		SHEET 1 OF 1		REV B1	