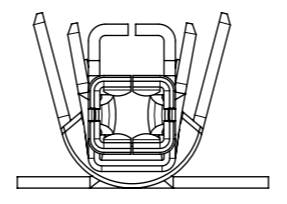
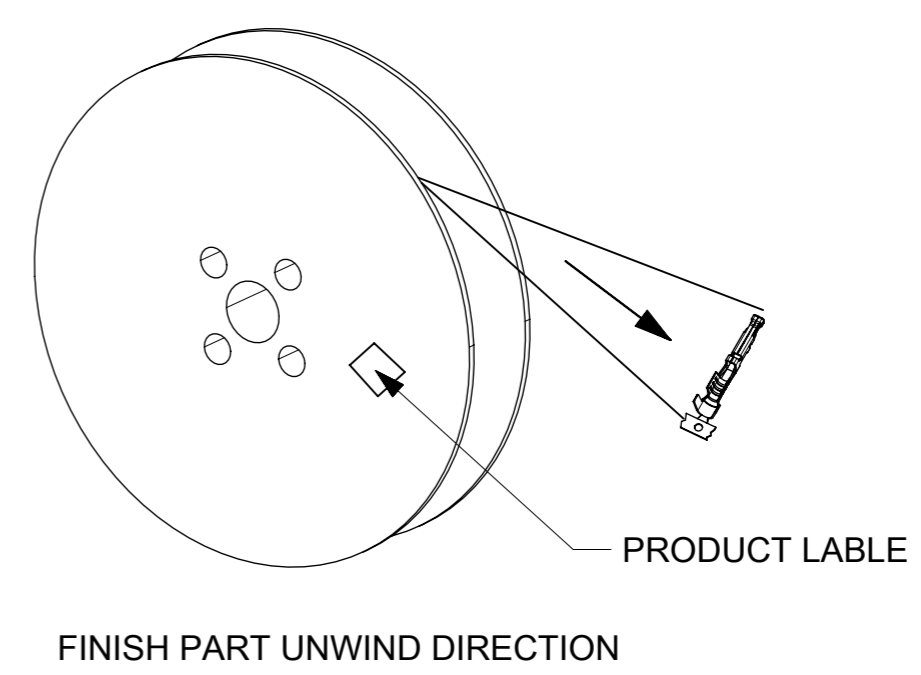
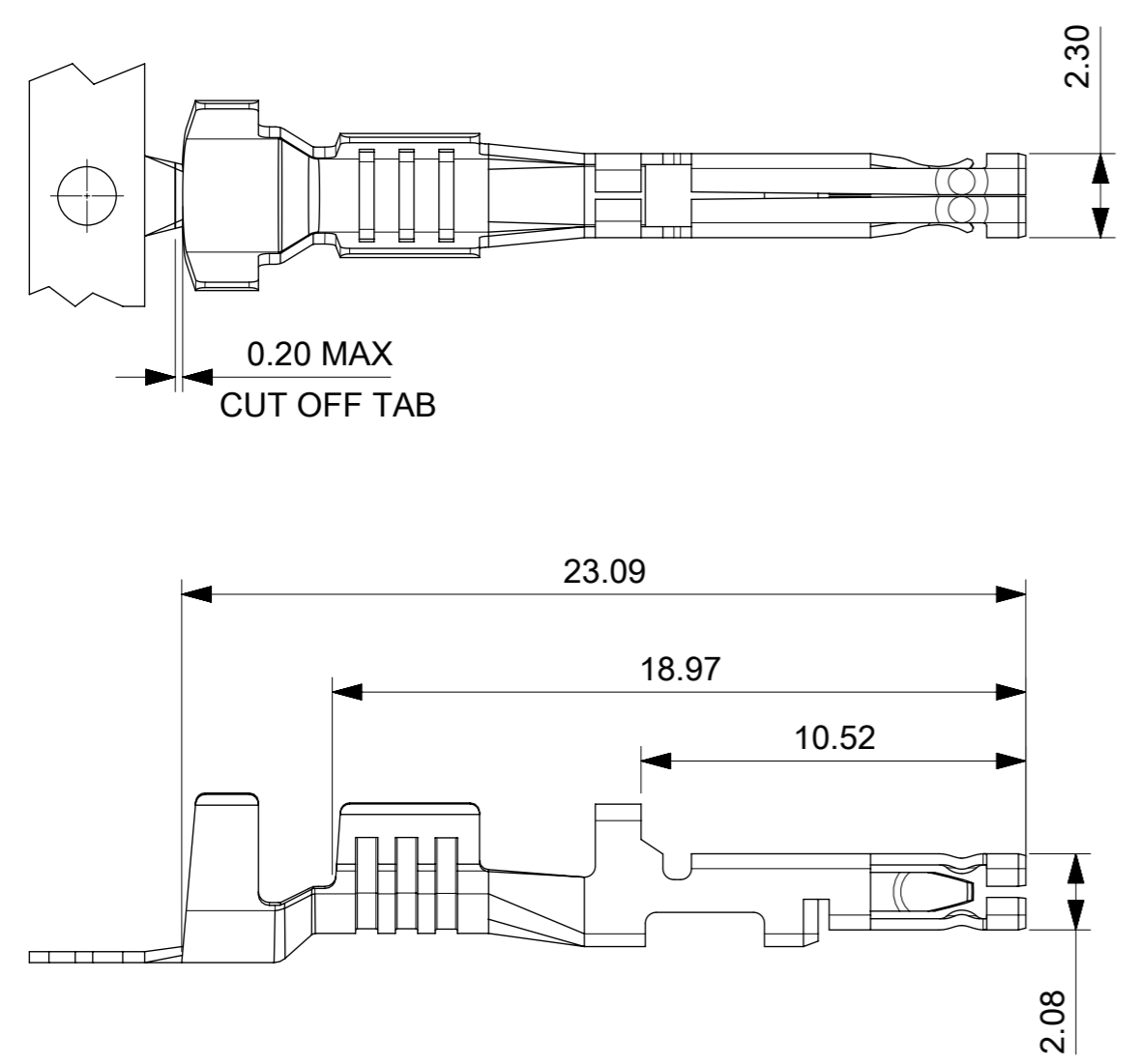
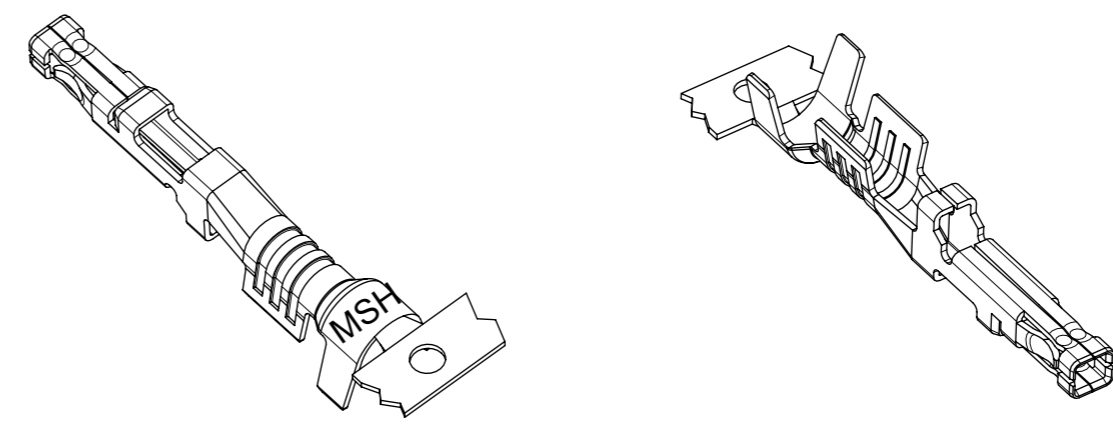
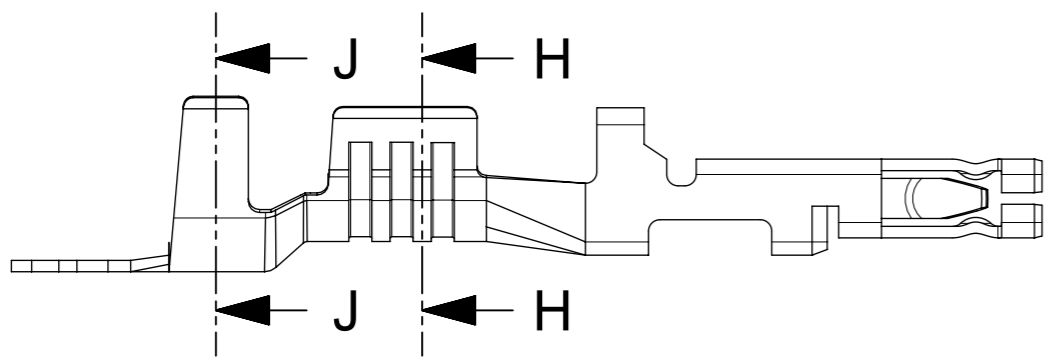


WIRE GAUGE	PART NUMBER	PLATING OPTION	LUBED	DIM "A"
10AWG	76823-0345	HOT DIP TIN PREPLATE-OVERALL 1.0μm(40μ") MIN	YES	14.00
12AWG	76823-0343			13.00
14/16AWG	76823-0344			
10AWG	172063-0335	15u" GOLD 0.38μm(15μ") GOLD CONTACT AREA, 1.5μm(60μ")-2.5μm(100μ") MATTE TIN, OVER 1.25μm(50μ")-2.5μm(100μ") NICKEL OVERALL	YES	14.00
12AWG	172063-0333			13.00
14/16AWG	172063-0334			
10AWG	172063-1335	30u" GOLD 0.76μm(30μ") GOLD CONTACT AREA, 1.5μm(60μ")-2.5μm(100μ") MATTE TIN, OVER 1.25μm(50μ")-2.5μm(100μ") NICKEL OVERALL	YES	14.00
12AWG	172063-1333			13.00
14/16AWG	172063-1334			

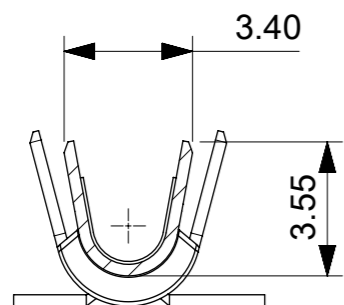


- NOTES:
1. MATERIAL: HIGH CONDUCTIVITY COPPER ALLOY.
 2. FINISH: SEE CHART.
 3. PRODUCT SPECIFICATION: 1720631000-PS/1054171000-PS.
 4. PACKAGING SPECIFICATION: REEL PER 768230200
 5. TERMINAL USED WITH MOLEX SERIES RECEPTACLE:171692/200456
 6. APPLICATION SPECIFICATION: 768232000-AS

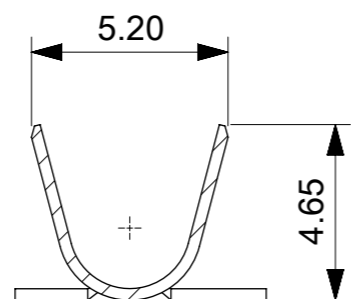
FUNCTIONAL SYMBOLS	THIS DRAWING CONTAINS INFORMATION THAT IS PROPRIETARY TO MOLEX ELECTRONIC TECHNOLOGIES, LLC AND SHOULD NOT BE USED WITHOUT WRITTEN PERMISSION		CURRENT REV DESC:		molex				
	△/A = 0	mm	4:1						
DIVISIONAL SYMBOLS	GENERAL TOLERANCES (UNLESS SPECIFIED)		EC NO: 663522		MEGA-FIT FEMALE TERMINAL FOR 14/16, 12AWG, AND 10AWG WIRE				
	△/E = 0	ANGULAR TOL ± 0.5°		DRWN: ALU002 2021/02/02					
DIVISIONAL SYMBOLS	△/F = 0	4 PLACES	±	CHK'D: YXZHENG 2021/05/24	PRODUCT CUSTOMER DRAWING				
		3 PLACES	±	APPR: YXZHENG 2021/05/24					
		2 PLACES	± 0.25	INITIAL REVISION:					
		1 PLACE	± 0.35	DRWN: YXZHENG 2016/12/15					
	0 PLACES	±	APPR: YXZHENG 2018/08/06	2021/05/24	DOCUMENT NUMBER	DOC TYPE	DOC PART	REVISION	
DRAFT WHERE APPLICABLE MUST REMAIN WITHIN DIMENSIONS		THIRD ANGLE PROJECTION	DRAWING	SERIES	MATERIAL NUMBER	CUSTOMER	SHEET NUMBER		
			A3-SIZE	76823	768230200	GENERAL MARKET	PSD	000	C2
DOCUMENT STATUS		P1	RELEASE DATE	2021/05/24 02:01:39					



14/16AWG WIRE STYLES

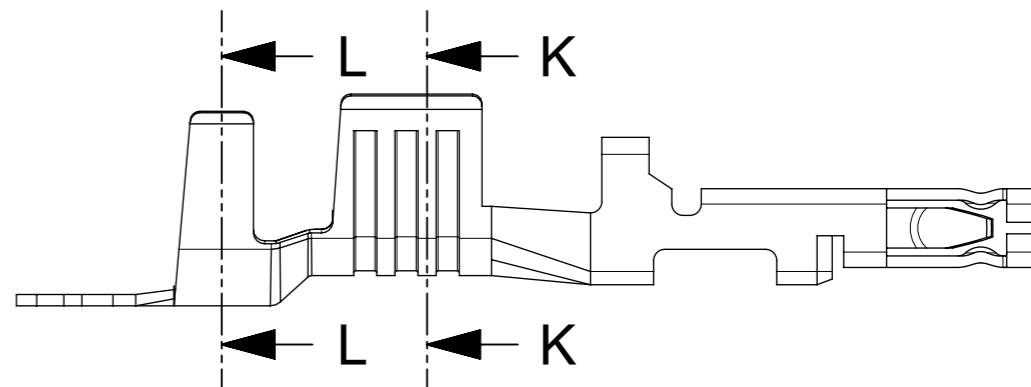


SECTION H-H

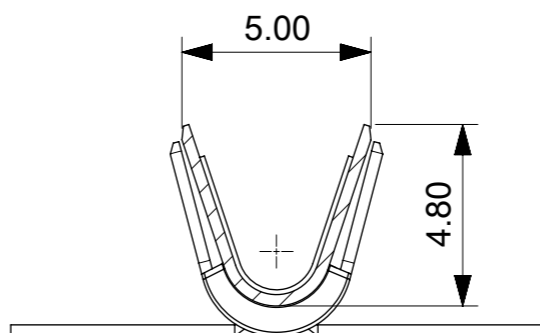


SECTION J-J

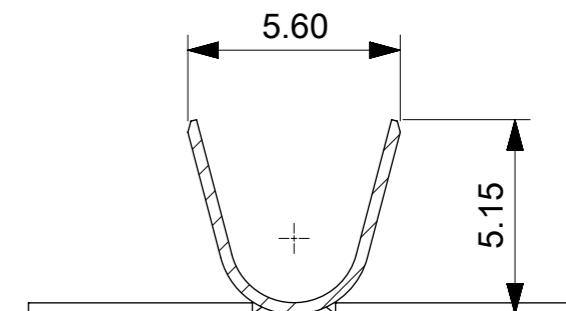
CONDUCTOR AND INSULATION 14/16AWG



12 AWG WIRE STYLES



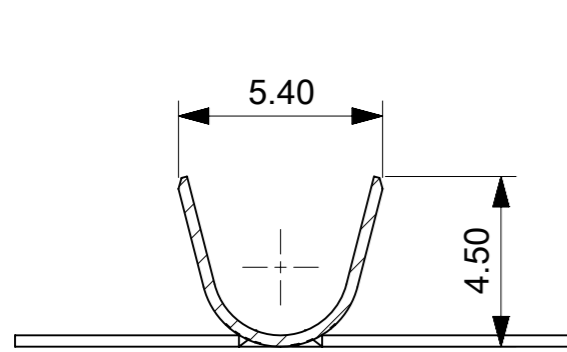
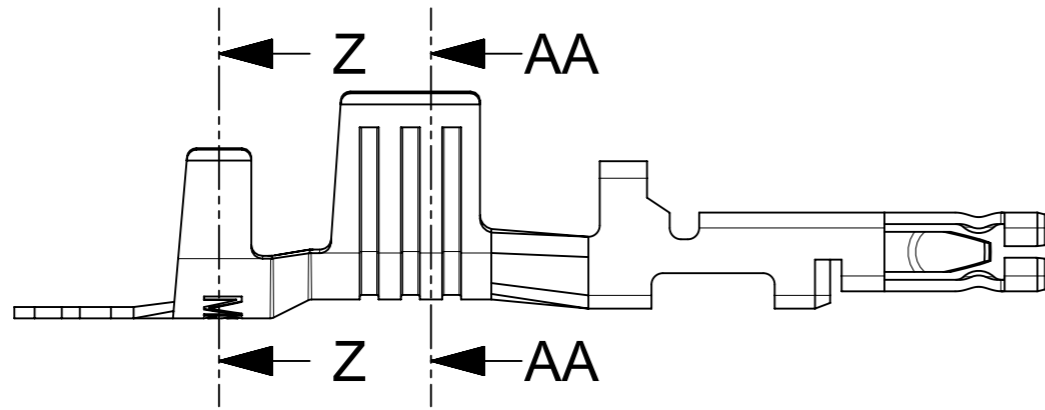
SECTION K-K



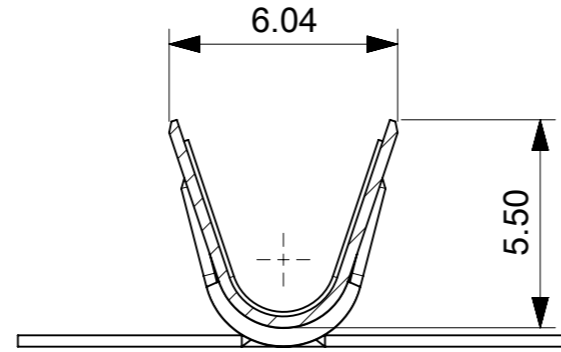
SECTION L-L

CONDUCTOR AND INSULATION 12AWG

FUNCTIONAL SYMBOLS	THIS DRAWING CONTAINS INFORMATION THAT IS PROPRIETARY TO MOLEX ELECTRONIC TECHNOLOGIES, LLC AND SHOULD NOT BE USED WITHOUT WRITTEN PERMISSION		CURRENT REV DESC:		molex		
	DRWN: ALUO02	2021/02/02					
GENERAL TOLERANCES (UNLESS SPECIFIED)	ANGULAR TOL ± 0.5°		EC NO: 663522		PRODUCT CUSTOMER DRAWING		
4 PLACES ±	3 PLACES ±		DRWN: YXZHENG		2021/05/24		
2 PLACES ± 0.25	1 PLACE ± 0.35		APPR: YXZHENG		2021/05/24		
0 PLACES ±	INITIAL REVISION:		DRWN: YXZHENG		2016/12/15		
DRAFT WHERE APPLICABLE MUST REMAIN WITHIN DIMENSIONS	THIRD ANGLE PROJECTION		APPR: YXZHENG		2018/08/06		
DRAWING		SERIES		DOCUMENT NUMBER		DOC TYPE	
A3-SIZE		76823		768230200		PSD	
MATERIAL NUMBER		CUSTOMER		DOC PART		REVISION	
SEE TABLE		GENERAL MARKET		000		C2	
SHEET NUMBER		2 OF 3					

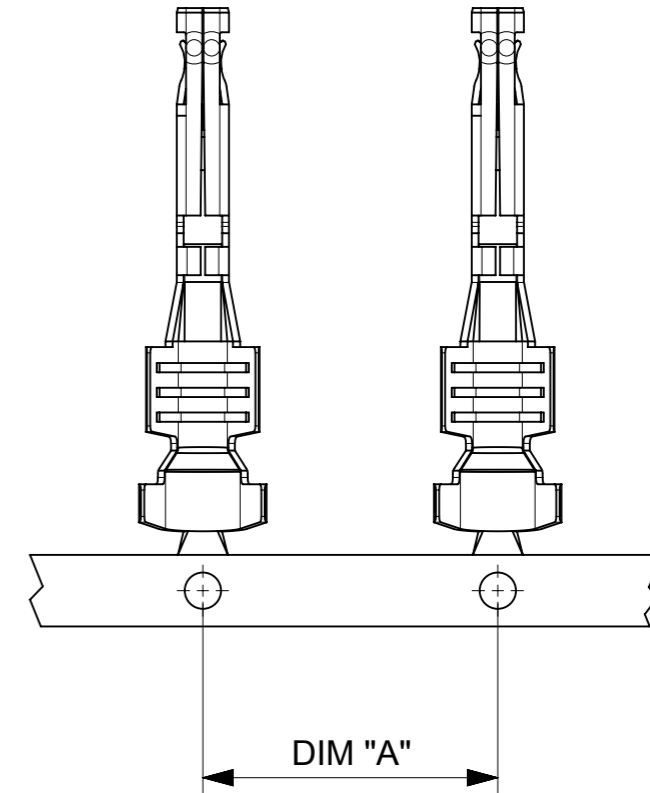


SECTION Z-Z



SECTION AA-AA

CONDUCTOR AND INSULATION 10AWG



FUNCTIONAL SYMBOLS	THIS DRAWING CONTAINS INFORMATION THAT IS PROPRIETARY TO MOLEX ELECTRONIC TECHNOLOGIES, LLC AND SHOULD NOT BE USED WITHOUT WRITTEN PERMISSION		CURRENT REV DESC:		molex		
	DRWN: ALUO02	2021/02/02					
GENERAL TOLERANCES (UNLESS SPECIFIED)	SCALE 5:1		EC NO: 663522		PRODUCT CUSTOMER DRAWING		
ANGULAR TOL ± 0.5°	DIMENSION UNITS mm		DRWN: YXZHENG		DOCUMENT NUMBER		
4 PLACES ±	3 PLACES ±		CHK'D: YXZHENG		768230200		
2 PLACES ± 0.25	2 PLACES ±		APPR: YXZHENG		DOC TYPE DOC PART REVISION		
1 PLACE ± 0.35	1 PLACE ±		INITIAL REVISION:		PSD 000 C2		
0 PLACES ±	0 PLACES ±		DRWN: YXZHENG		MATERIAL NUMBER		
DRAFT WHERE APPLICABLE MUST REMAIN WITHIN DIMENSIONS	THIRD ANGLE PROJECTION		APPR: YXZHENG		CUSTOMER		
	DRAWING		SERIES		SHEET NUMBER		
	A3-SIZE		76823		3 OF 3		