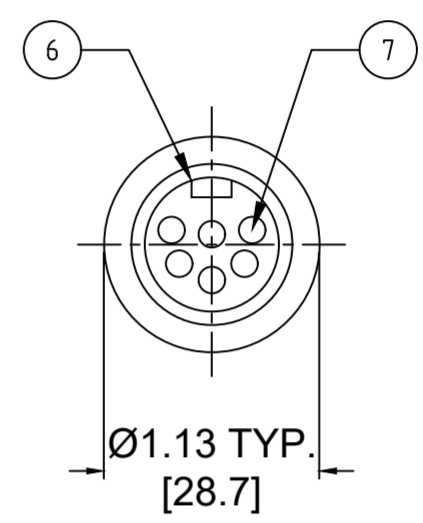
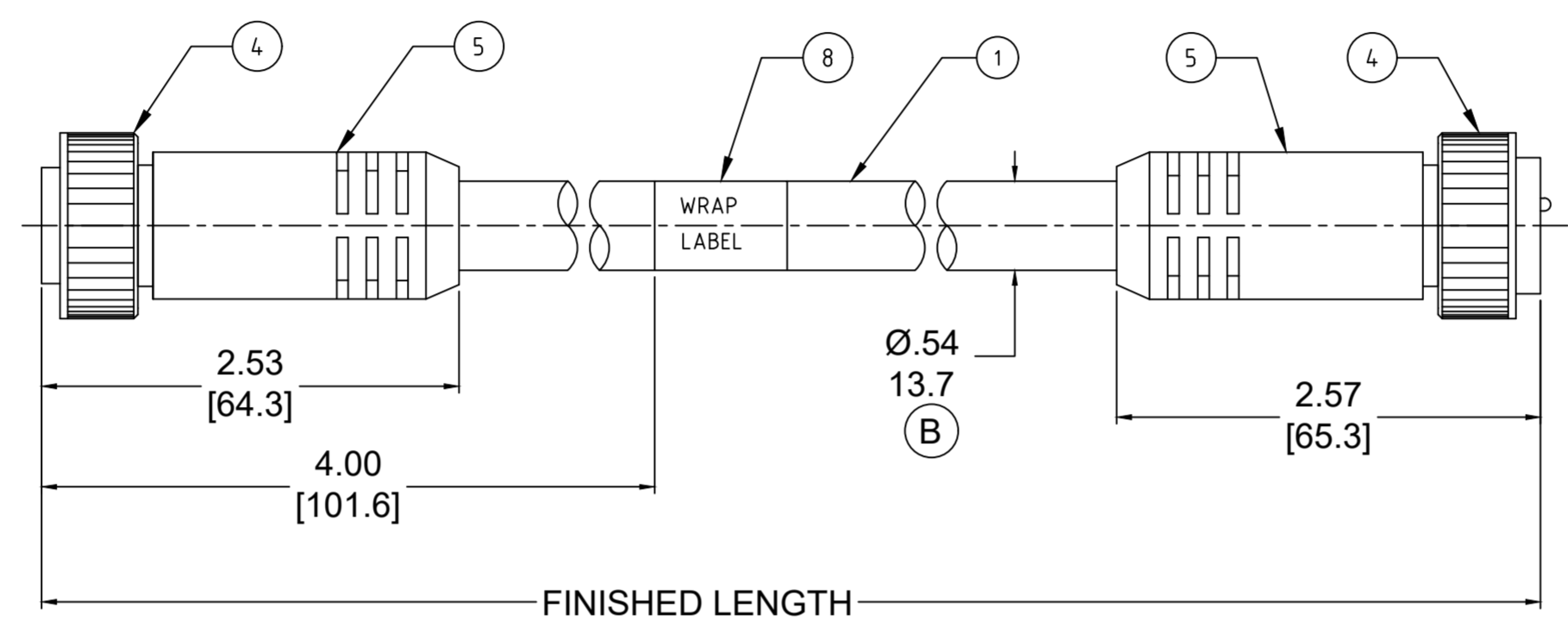
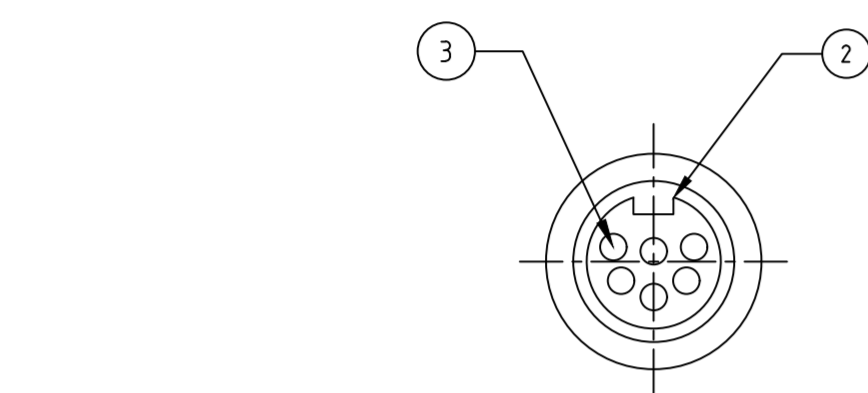


PART NO	ENGINEERING NO.	FINISHED LENGTH
1300110008	226020A01F030	3FT [ 0.9M ]
1300110082	227020A01M300	30M [ 98FT 5 IN ]
1300110158	228020A01M600	60M [ 196FT 10 IN ]



- NOTES:
- MATERIAL: AS NOTED
  - FINISH: AS NOTED
  - ELECTRICAL:
    - 6 POLE: VOLTAGE: 400V PER IEC60664  
600V PER UL2238  
CURRENT: 8A
    - 7 POLE: VOLTAGE: 320V PER IEC60664  
600V PER UL2238  
CURRENT: 8A
    - 8 POLE: VOLTAGE: 320V PER IEC60664  
600V PER UL2238  
CURRENT: 7A
  - TEMP RATING: -20°TO +105°C
  - PROTECTION: IP67 (WHEN MATED)
  - COUPLING THREAD: 1"-16 UN
  - UL RECOGNIZED FILE: E152210  
CSA CERTIFIED FILE: LR6837 (B)
  - ALL DIMENSIONS ARE FOR REFERENCE UNLESS TOLERANCED OR NOTED OTHERWISE

**PART NO. MATRIX**  
**227020A01M010**

POLES (6,7,8)      FINISHED LENGTH:  
 M005= 0.5 METER  
 M010= 1 METER  
 M100= 10 METER

F010= 1 FOOT  
 F100= 10 FEET

**CABLE LENGTH TOLERANCES**

>.3M [1FT]:	+19mm-0 [ +.75in-0]
.3 - .9M [1 - 3FT]:	+44.5mm-0 [+1.75in-0]
.9 - 1.8M [3 - 6FT]:	+55.6mm-0 [+2.19in-0]
1.8 - 3.7M [6 - 12FT]:	+88.9mm-0 [+3.50in-0]
3.7 - 7.3M [12 - 24FT]:	+165.1mm-0 [+6.50in-0]
7.3-14.6M [24 - 48FT]:	+317.5mm-0 [+12.50in-0]
14.6 - 30.5M [48-100FT]:	+622.3mm-0 [+24.50in-0]
OVER 30M [100FT]	+2% OF FINISHED LENGTH

8	WRAP LABEL	VINYL	BLACK/YELLOW
7	CONTACT PIN	COPPER ALLOY	GOLD PLATED
6	MALE INSERT	TPE	YELLOW
5	OVERMOLD	TPE	YELLOW
4	COUPLING	ZINC DIE-CAST	BLACK
3	CONTACT SOCKET	COPPER ALLOY	GOLD PLATED
2	FEMALE INSERT	TPE	YELLOW
1	CABLE, 16AWG, TPE,STOOW	PVC JACKET	YELLOW
ITEM	DESCRIPTION	MATERIAL	FINISH

THIS DRAWING CONTAINS INFORMATION THAT IS PROPRIETARY TO MOLEX ELECTRONIC TECHNOLOGIES, LLC AND SHOULD NOT BE USED WITHOUT WRITTEN PERMISSION

FUNCTIONAL SYMBOLS	DIMENSION UNITS	SCALE	CURRENT REV DESC: ITEM# 2, 5 & 6 WERE PVC. ADDED "CSA" IN NOTES. ADDED CABLE DIA. MODIFIED MATERIAL TABLE
FA=0	INCH/MM	NTS	
FC=0	GENERAL TOLERANCES (UNLESS SPECIFIED)		
FP=0	mm	INCH	
DIVISIONAL SYMBOLS	4 PLACES	±----	EC NO: 643513
	3 PLACES	±----	DRWN: ABENJAMINLW 2020/07/29
	2 PLACES	±----	CHK'D: RSTONE 2020/08/28
	1 PLACE	±----	APPR: BWOODMAN 2020/09/15
	0 PLACES	±----	INITIAL REVISION:
	ANGULAR TOL ± 0.5 °		DRWN: RSTONE 2016/11/30
	DRAFT WHERE APPLICABLE MUST REMAIN WITHIN DIMENSIONS		APPR: BWOODMAN 2016/12/20
	THIRD ANGLE PROJECTION	DRAWING	SERIES
		C-SIZE	139990
		MATERIAL NUMBER	CUSTOMER
		SEE CHART	GENERAL MARKET
		SHEET NUMBER	1 OF 1

**molex**

MINI-CHANGE CORDSET, B-SIZE,  
 6-8 POLE, MALE-FEMALE, STRAIGHT, SINGLE KEY,  
 16 AWG

PRODUCT CUSTOMER DRAWING

DOCUMENT NUMBER: SD-130011-006      DOC TYPE/DOC PART/REVISION: PSD 001 B