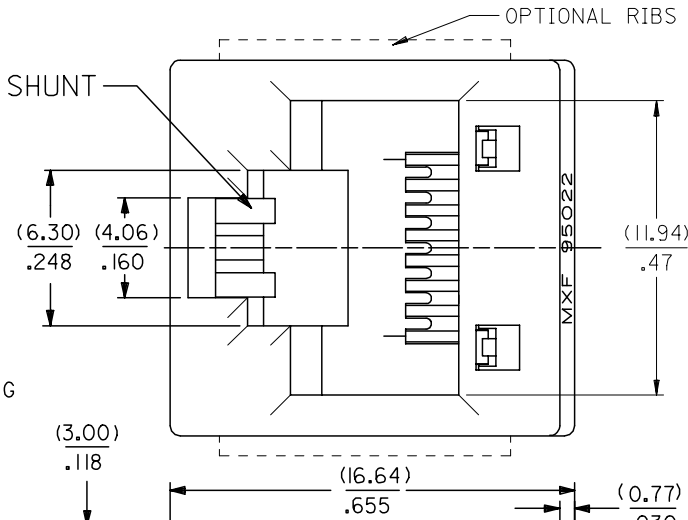


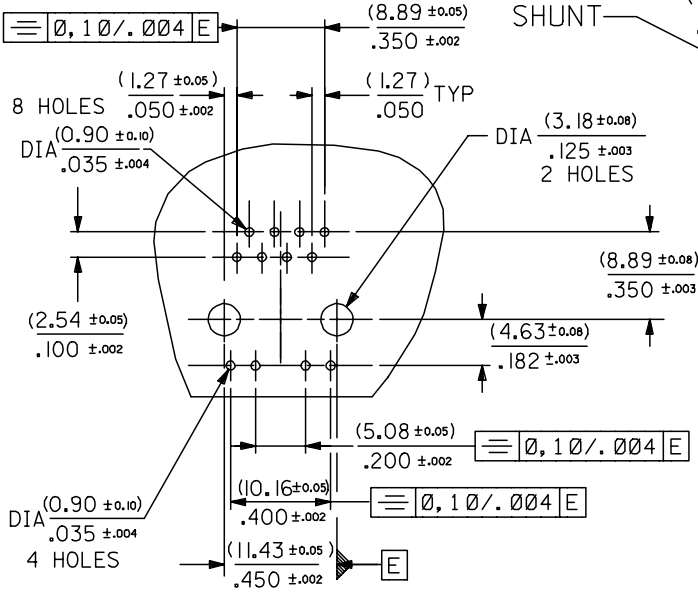
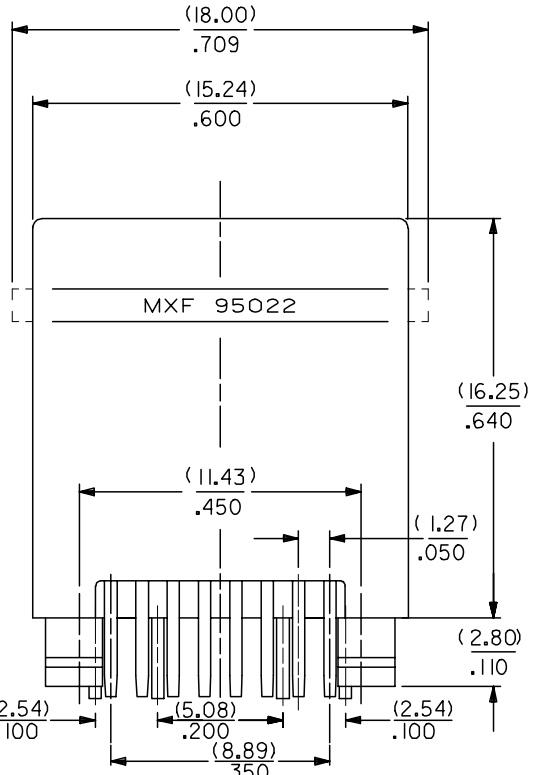
**NOTES :**

- 1- MATERIAL : HOUSING : POLYESTER G.F. 94V0  
COLOR : BLACK
- TERMINAL : PHOSPHOR BRONZE,  
PLATED WITH (0.00127)/.000050 MIN. GOLD  
IN CONTACT AREA ,(0.00190)/.000075 MIN  
PURE TIN IN TAIL AREA BOTH OVER  
(0.00127)/.000050 MIN NICKEL OVERALL
- SHUNT : PHOSPHOR BRONZE PLATED WITH  
(0.0020)/.000078 MIN TIN
- 2- JACK FOR MATING WITH F.C.C. 68 TYPE PLUG  
MOLEX 90075 SERIES
- 3- P.C.BOARD THICKNESS : (1.57)/.062 .
- 4- PRODUCT SPECIFICATION PS-95022-001
- 5- APPLICATION SPECIFICATION AS-95001
- 6- PACKAGING SPECIFICATION PK-95022  
(SHT.1 TRAY PACKAGING)



JACK WITH RIB P/N  
95022-2886

JACK WITHOUT RIB P/N  
95022-2885



P.C.B. MOUNTING PATTERNS  
(SCALE 2 : 1)

ENTER DESCRIPTION EC NO: MG2004-0207 DRAWN: GECHITENA 2004/08/26 CHKD: FCARABET 2004/08/31 APPR: KNOLLER 2004/09/08	QUALITY SYMBOLS ▽=0 ∇=0	GENERAL TOLERANCES (UNLESS SPECIFIED)		DIMENSION STYLE	SCALE	DESIGN UNITS	THIRD ANGLE PROJECTION
		4 PLACES ± --- ± ---	3 PLACES ± --- ± .010	MM/IN	4:1	METRIC	
M2	REV	DRAFT WHERE APPLICABLE MUST REMAIN WITHIN DIMENSIONS		SEE CHART	MOLEX INCORPORATED		SHEET NO.
		SIZE A3		SDA-95022		4 OF 4	